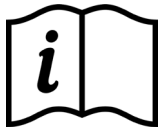


## MANGAR SPU SWIFT TRANSFER SLIDE

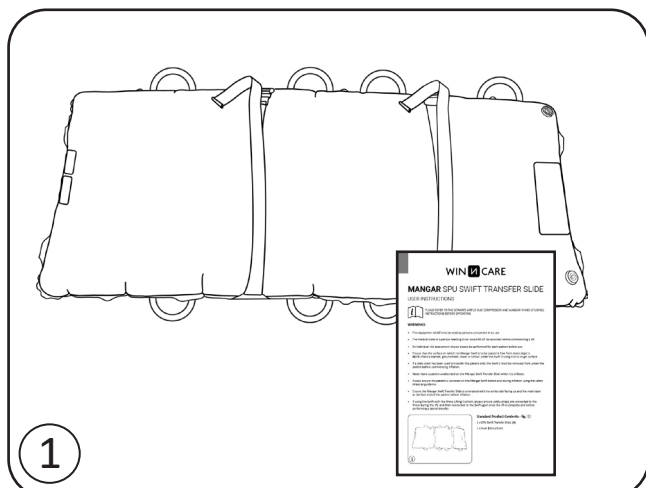
### USER INSTRUCTIONS



PLEASE REFER TO THE SEPARATE AIRFLO DUO COMPRESSOR AND MANGAR RHINO (IF USING) INSTRUCTIONS BEFORE OPERATING.

### WARNINGS

- This equipment **MUST** only be used by persons competent in its use.
- The medical state of a person needing to be raised **MUST** be assessed before commencing a lift.
- An individual risk assessment should always be performed for each patient before use.
- Ensure that the surface on which the Mangar Swift is to be placed is free from sharp objects.  
**NOTE:** Place a blanket, groundsheet, towel or similar under the Swift if using it on a rough surface.
- If a slide sheet has been used to transfer the patient onto the Swift it must be removed from under the patient before commencing inflation.
- Never leave a patient unattended on the Mangar Swift Transfer Slide whilst it is inflated.
- Always ensure the patient is centered on the Mangar Swift before and during inflation using the safety straps as guidance.
- Ensure the Mangar Swift Transfer Slide is orientated with the white side facing up and the main label at the foot end of the patient before inflation.
- If using the Swift with the Rhino Lifting Cushion, always ensure safety straps are connected to the Rhino during the lift.



### Standard Product Contents - fig.1

1 x SPU Swift Transfer Slide

1 x User Instructions

## Intended Use

The Mangar Single Patient Use Swift enables healthcare workers to transfer and reposition patients in the supine position with minimal moving and handling force needed, while providing a stable, safe experience for the patient.

The Mangar SPU Swift is intended solely for use as an aid for healthcare workers to transfer, move and reposition a patient either across a flat surface, or from a Lifting Cushion to a bed. It is powered using the Airflo Duo Compressor.

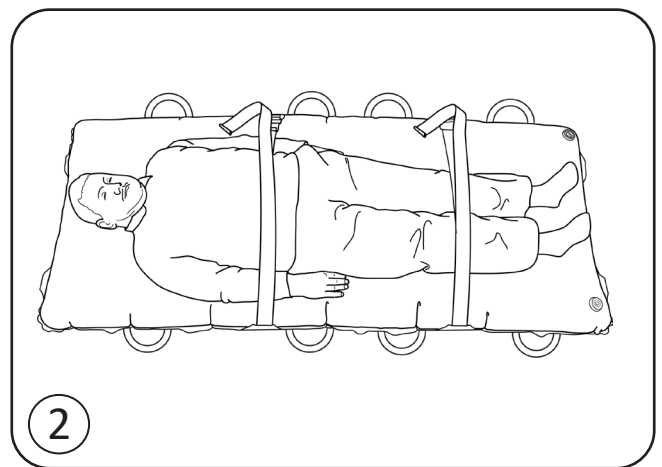
## Positioning the patient on the Swift - fig.2

- Position the patient on the SPU Swift in line with hospital guidelines and training materials.
- Once the patient is on the Swift, the shoulders should lie in line with the top handles.

**NOTE:** Do not use or hold these safety straps to perform the transfer. Only use the handles provided.

- Ensure the surfaces you are transferring the patient between are in a suitable position and the brakes are applied to both surfaces before beginning the transfer.

**WARNING:** The safety straps will become tighter across the patient as the Swift is inflated, so do not tighten fully before inflation.

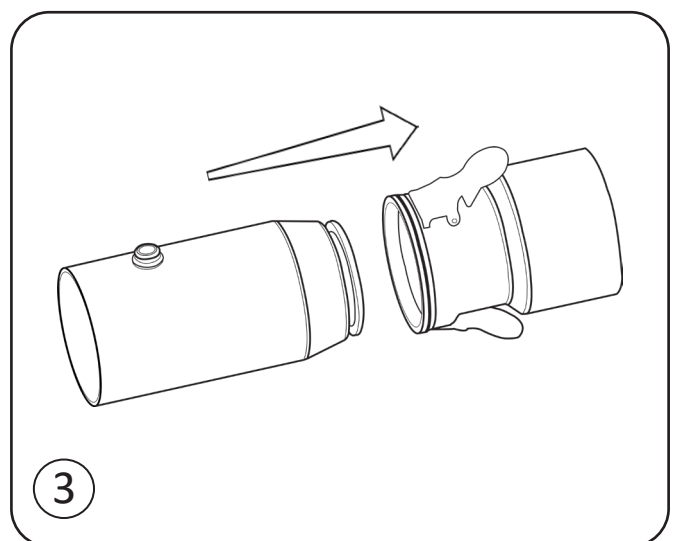


## Operating

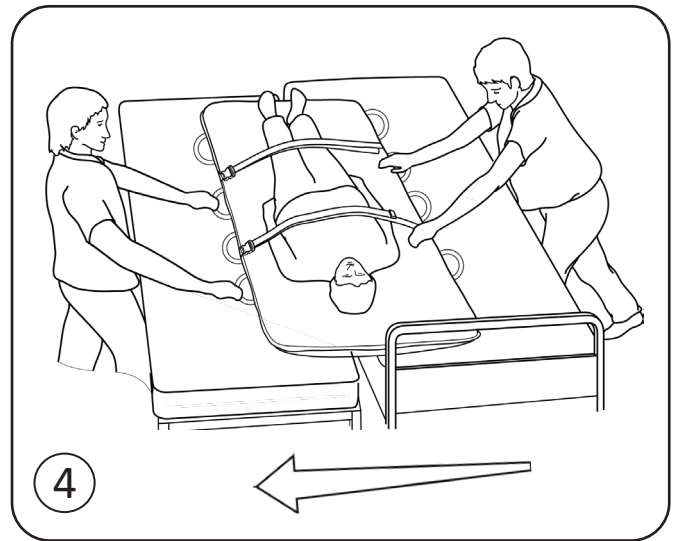
**NOTE:** Alternative methods of transfer can be used with the SPU Swift. Please refer to hospital guidelines and training materials for further details. An individual risk assessment is always required before operation.

- Connect the hose (**fig.3**) to the air supply using the provided connector.
- Turn on the air supply, connect the hose to the valve on the SPU Swift and ensure a good connection. Once connected, the hose does not need to be held in place during use. Always leave the hose connected for the duration of the transfer to ensure constant air flow.

**WARNING:** Ensure the Swift is fully inflated before beginning the transfer.



- Once the Swift is fully inflated, the safety straps can be tightened around patient.
- The Swift can be operated with a minimum of 2 carers, one on each side of the patient.
- Use of a patient transfer board should be considered based on an individual risk assessment.
- To perform the slide, the Swift should be slowly pushed across the surfaces in a controlled manner until the patient is halfway across, and then pulled slowly the remainder of the distance by the receiving carer(s). The receiving carer should stand against the bed so that the Swift cannot travel too far across and overhang the bed. (fig.4)
- Once the transfer is completed, disconnect the hose from the Swift, and turn off the Airflo Duo. The Swift will deflate slowly under the patient.



## Cleaning and Disposal

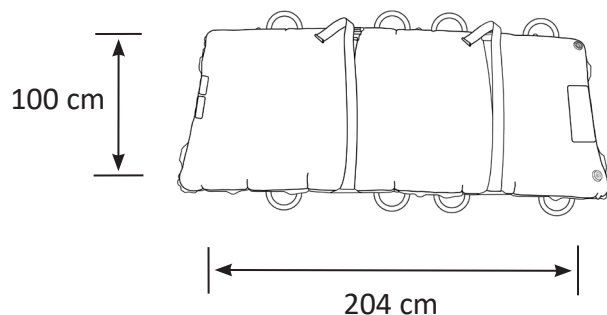
- The SPU Swift is not designed to be cleaned or disinfected.
- When the Swift has reached the end of its working life, dispose of it using your organisation's recycling/disposal system.

## Specifications

Maximum user weight:	500kg (78 stone)*
Inflated height (approx):	14cm (5½")
Overall length (approx):	204cm (80")
Overall width (approx):	100cm (39.5")
Weight:	1.5kg (3.5lbs)
Maximum air pressure:	0.14bar (2psi)
Max / Min temperature:	+45°C / 5°C
Inflation time:	Less than 1 minute (dependent on user weight)
Materials:	Polyurethane coated Nylon, Polypropylene, Polyethylene.

## Troubleshooting

For assistance with resolving a problem please contact our Customer Service Department by calling +44(0)1544 267674 or email [customerservices@winnicare.uk](mailto:customerservices@winnicare.uk)



Lot Number: .....  
Date of purchase: .....  
Invoice/Delivery note number: .....

Mangar International Ltd, trading as Winncare, reserves the right to alter product specifications and/or any of the information contained within this document without notice.

# WIN CARE

**WinnCare is a trading name of Mangar International Ltd.**

Mangar International Ltd, Presteigne, Powys,  
Wales, LD8 2UF  
United Kingdom  
Tel: +44 (0)1544 267674  
Fax: +44 (0)1544 260287  
enquiries@winnCare.uk  
mangarhealth.com



<b>EC</b>	<b>REP</b>
-----------	------------

**WINNCARE France**  
4, Le Pas du Château -  
85670 Saint-Paul-Mont-  
Penit - France  
Tél : +33 (0)2 51 98 55 64  
www.winnCare.fr

