



Parts List

Joerns® Bed Frames

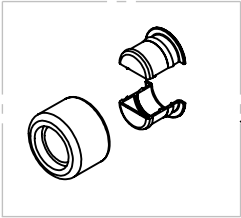
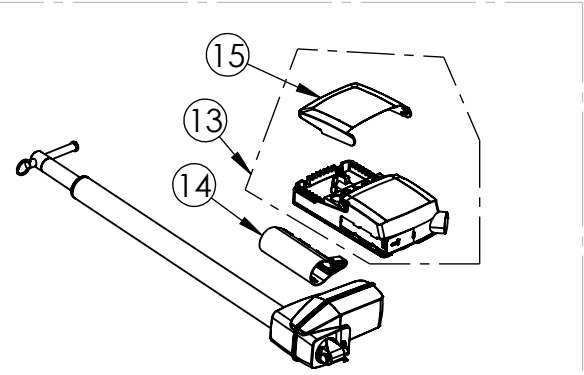
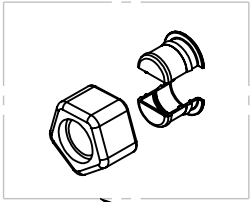
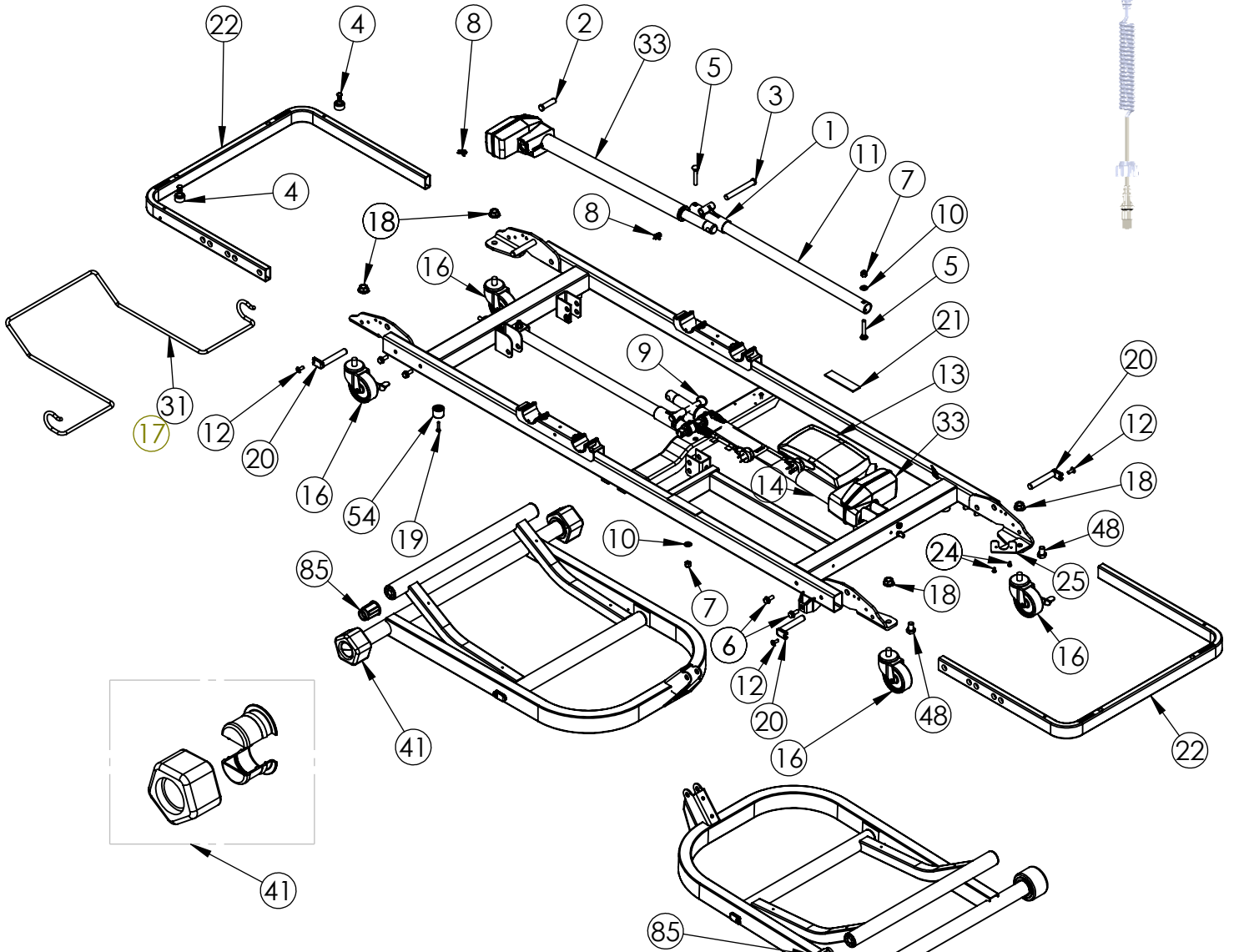
UltraCare® XT

(For 650 lb version from Dec 2023-current)

To avoid injury, read user's manual before using.



FRAME COMPONENTS
80" 650-LB VERSION
MODEL: ULTRACARE XT



ASSEMBLY OF ACTUATOR AND CONTROL BOX

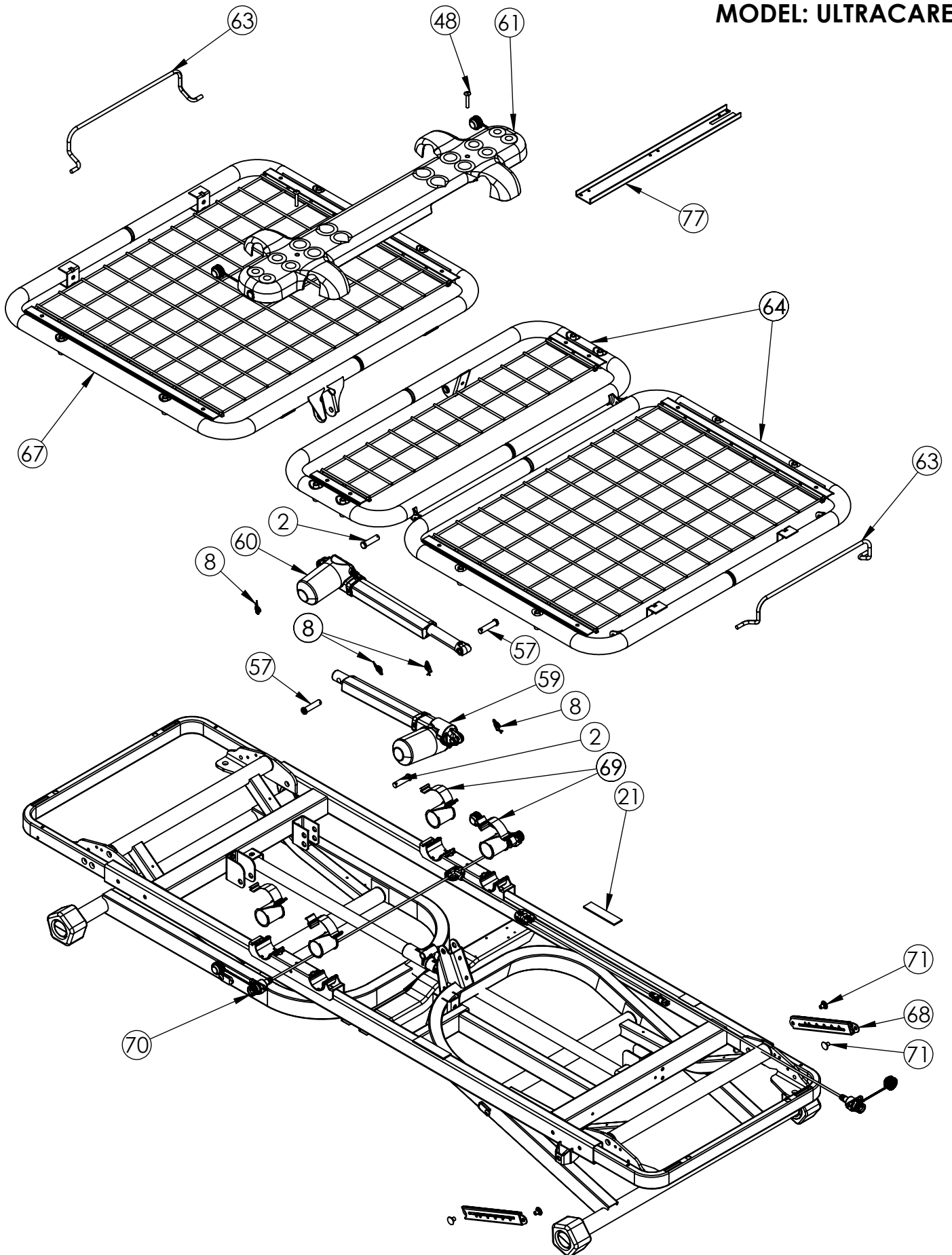
FRAME COMPONENTS
80" 650-LB VERSION
MODEL: ULTRACARE XT

ITEM	PART NUMBER	DESCRIPTION
NS	N111	KIT, BATTERY, BA16 (BATTERY, MOUNTING BRACKET, CABLE, HARDWARE)
NS	6110445	MANUAL, USER, ULTRACARE XT (650LBS)
1	39001070-M	KIT, REPLACEMENT, HI-LO GLIDE (TWO GLIDES, HARDWARE, INSTRUCTIONS)
2	11012238	PIN, PIVOT, SLEEP SURFACE
3	11012361	PIN, PIVOT, LEG / ACTUATOR
4	31009151	ASSEMBLY, BUMPER (BUMPER AND FASTENER)
5	12523159	BOLT, CARRIAGE, 5/16-18 X 2"
6	12553104	SCREW, THREADFORMING, 5/16 C 3/4"
7	12673105	NUT, NYLOCK, 5/16-18
8	12800032	PIN, LOCKING COTTER
9	12809807	RING, KICKOUT
10	12847531	WASHER, FLAT, 5/16"
11	25005930	TUBE, HI-LO GUIDE
12	12552592	SCREW, THREADFORMING, 1/4-20 X 5/8"
13	39002004	KIT, CONTROL BOX (CONTROL BOX INSTRUCTIONS)
14	39002009	KIT, CONTROL BOX MOUNTING BRACKET TO HI-LO ACTUATOR
15	39002015	KIT, CONTROL BOX COVER
16	39000874	KIT, CASTER (FOUR CASTERS, HARDWARE, INSTRUCTIONS)
17	11011866AL	BUMPER, WALL, 15 3/4" (FITS 80" BED W/ ADVANCED CONTROLS, 4 DEGREE TRT)
18	12675024	NUT, WHIZLOCK, 1/2-13
19	12551030	SCREW, THREADFORMING, #10-24 X 1"
20	11012662	PIN, PIVOT, STABILIZER
21	11011331	PAD, STOP, KNEE / LEG
22	11012722AL	BRACKET, PANEL
24	12553203	SCREW, THREADFORMING, 8-32 X 1/2"
25	39001704	KIT, STAFF CONTROL BRACKET
29	11017333	PENDANT, ADVANCED, W/ HOOK
31	11012608AL	BUMPER, WALL, 22 1/4" (FITS 80" BED W/ ADVANCED CONTROLS, 12 DEGREE TRT)
33	39002003	KIT, ACTUATOR, HI-LO, FAST (ACTUATOR, HARDWARE, INSTRUCTIONS)
40	39000792-M	KIT, ROLLER AND HUB (ONE ROLLER, ONE HUB, INSTRUCTIONS)
41	39000793-M	KT, PENTAGON AND HUB (ONE PENTAGON, ONE HUB, INSTRUCTIONS)
48	600-1574	SCREW, HEX, 1/2-13 X 3/4"
54	11013253	BUMPER, STOP
85	11011230	BUSHING, STABILIZER
NS	N107	KIT, MAINS CABLE, CLASS 1 (GROUNDED) (CABLE, HARDWARE, INSTRUCTIONS)
NS	39002005	KIT, CABLE, HEAD HI-LO ACTUATOR (CABLE, HARDWARE, INSTRUCTIONS)
NS	39002006	KIT, CABLE, FOOT HI-LO ACTUATOR (CABLE, HARDWARE, INSTRUCTIONS)
NS	12150025*	GROUND WIRE ASSEMBLY, 5"
NS	12150026*	GROUND WIRE ASSEMBLY, 10"
NS	12541064*	SCREW, #10-16X1/2"
NS	12851001*	WASHER, SPLIT LOCK, #10
NS	12500013	PACKET, GREASE (ONE CC TUBE OF JOERNS-APPROVED GREASE)

NS = NOT SHOWN

NOTE: GROUND WIRES (12150025 AND 12150026) AND ATTACHING HARDWARE (12541064, 12851004, AND 12851001) - REFER TO LENGTH OF WIRE ASSEMBLES ON BED IF REPLACEMENT IS REQUIRED. ASTERISK (*) DENOTES PARTS ORDERABLE FOR CLASS 1 GROUNDED VERSION OF UCXT

MATTRESS SUPPORT COMPONENTS
80" 650-LB VERSION
MODEL: ULTRACARE XT

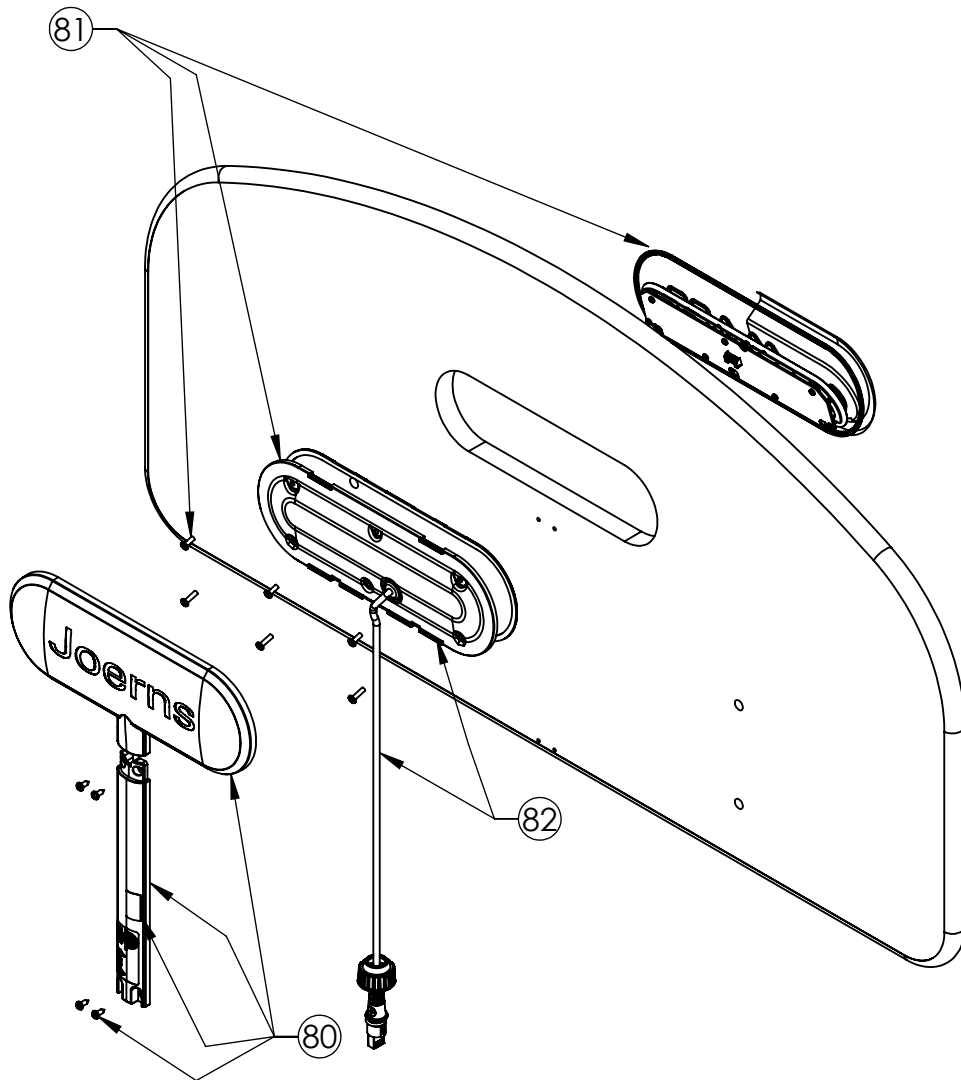


**MATTRESS SUPPORT COMPONENTS
80" 650-LB COMPONENTS
MODEL: ULTRACARE XT**

ITEM	PART NUMBER	DESCRIPTION
2	11012238	PIN, ACTUATOR PIVOT
8	12800032	PIN, LOCKING COTTER
21	11011331	PAD, STOP, KNEE/LEG
48	12552590	SCREW, THREADFORMING, 1/4-20X1 1/2" (INCLUDED W/ SEAT PAN KITS)
57	11014113	PIN, CLEVIS, 12MM X 2", HARDENED
59	39002007	KIT, ACTUATOR, BACK (ACTUATOR, HARDWARE, INSTRUCTIONS)
60	39002008	KIT, ACTUATOR, KNEE (ACTUATOR, HARDWARE, INSTRUCTIONS)
61	39000980	KIT, SEAT PAN, SFT TONE (SEAT PAN, FASTENERS, INSTRUCTIONS)
63	11011369AL	WIREFORM, MATTRESS STOP
64	39001872	KIT, KNEE/FOOT SECTIONS, UCXT (KNEE AND FOOT SECTIONS, MATTRESS STOP, HARDWARE, INSTRUCTIONS)
67	39001873	KIT, BACK SECTION, 80", UCXT (80" BACK SECTION, MATTRESS STOP, HARDWARE, INSTRUCTIONS)
68	39000794-M	KIT, FOOT LEVELER, GATCH (ONE GATCH LEVER, RIVET REPLACEMENT KIT, INSTRUCTIONS)
69	39000802-M	KIT, SLEEP SURFACE BEARING (FOUR BEARINGS AND RETAINERS, LUBRICANT, INSTRUCTIONS)
70	39001051-M	KIT, CONTROL HARNESS (CONTROL HARNESS, FASTENERS, CABLE TIES, INSTRUCTIONS)
71	39000052-M	KIT, RIVET REPLACEMENT (FASTENERS TO REPLACE TWO RIVETS)
NS	39001040	KIT, NUT COVER, ASSIST DEVICE (TWO NUT COVERS, FASTENERS, INSTRUCTIONS)
77	39002013	KIT, SEAT PAN SUPPORT (BRACKET, HARDWARE, INSTRUCTIONS)
NS	N518	KIT, MATTRESS SIDE STOP, 80" (TWO SIDE STOPS, FASTENERS, INSTRUCTIONS - FOR 80" HEAD SECTION)
NS	N517	KIT, MATTRESS SIDE STOP, 76" (TWO SIDE STOPS, FASTENERS, INSTRUCTIONS - FOR 76" HEAD SECTION, ALL FOOT SECTIONS)

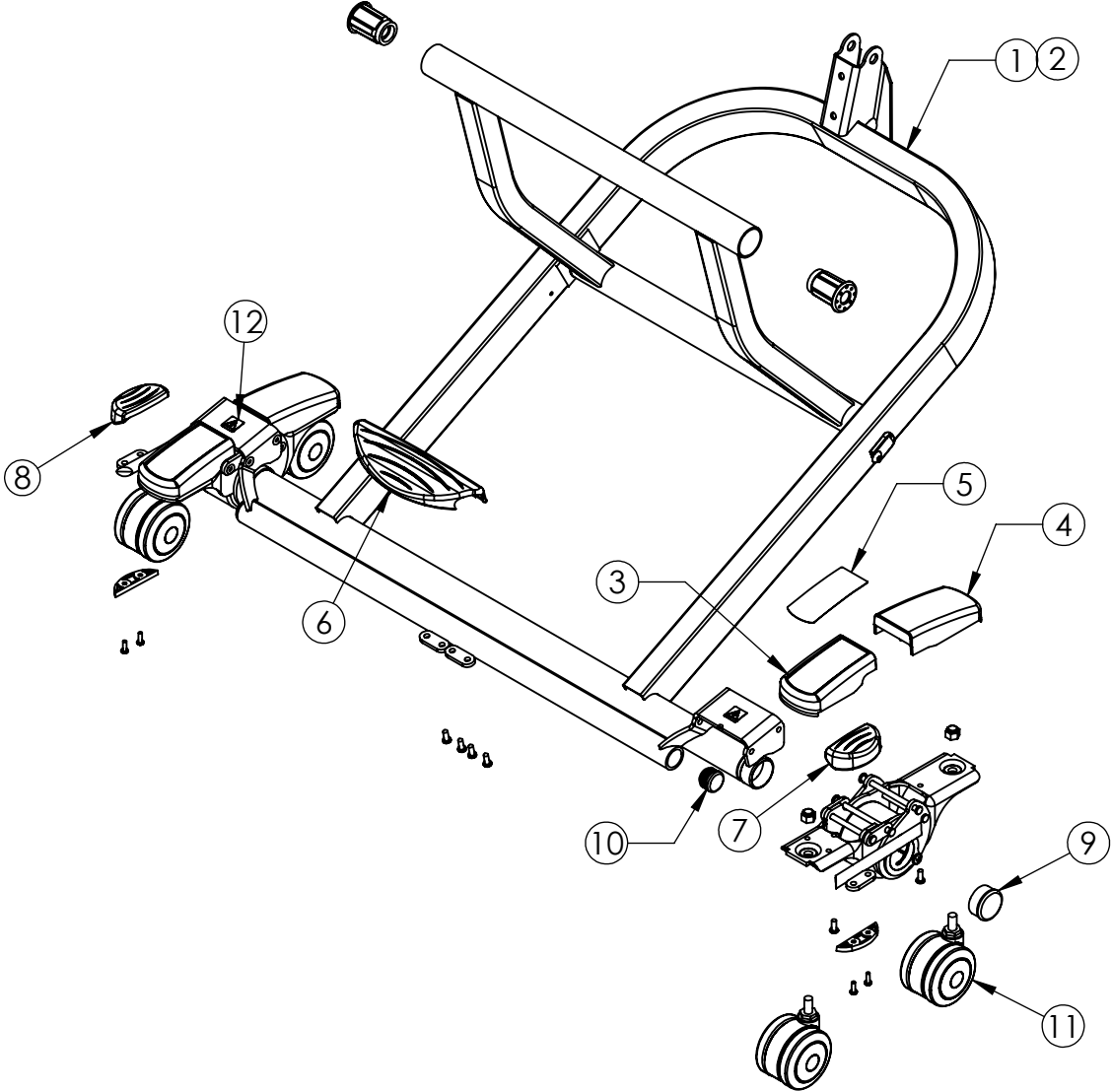
NS = NOT SHOWN

STAFF CONTROL PANEL COMPONENTS
80" 650-LB VERSION
MODEL: ULTRACARE XT



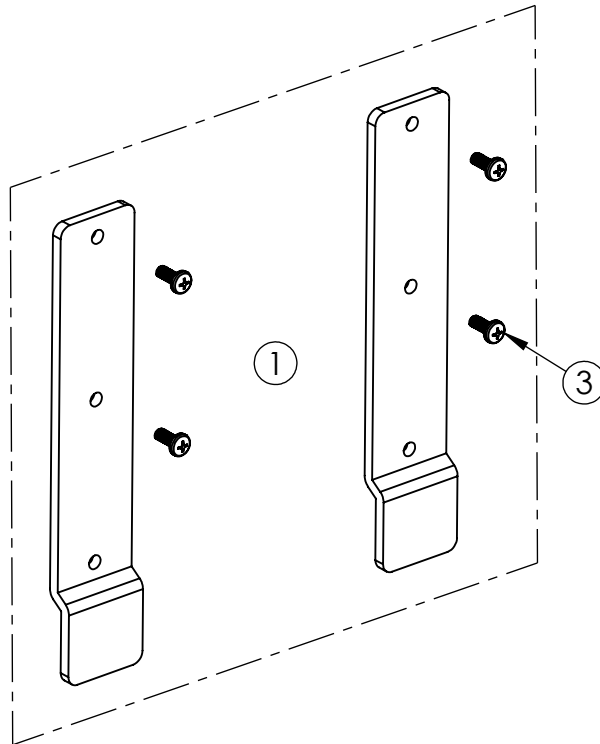
ITEM	PART NUMBER	DESCRIPTION
THE FOLLOWING COVER KITS CONTAIN BOTH REAR COVERS, FASTENERS, AND INSTRUCTIONS		
80	39001115	KIT, COVERS, STAFF CONTROL, ADVANCED, SOFT TONE
THE FOLLOWING STAFF CONTROL KITS CONTAIN THE STAFF CONTROL KEYPAD, CABLE ASSEMBLY, FASTENERS, AND INSTRUCTIONS		
81	39001113	KIT, STAFF CONTROL, ADVANCED, SOFT TONE
THE FOLLOWING KIT CONTAINS THE CABLE ASSEMBLY AND FASTENERS		
82	39001016	KIT, STAFF CONTROL, CABLE AND COVER

ULTRALOCK COMPONENTS
80" 650-LB VERSION
MODEL: ULTRACARE XT

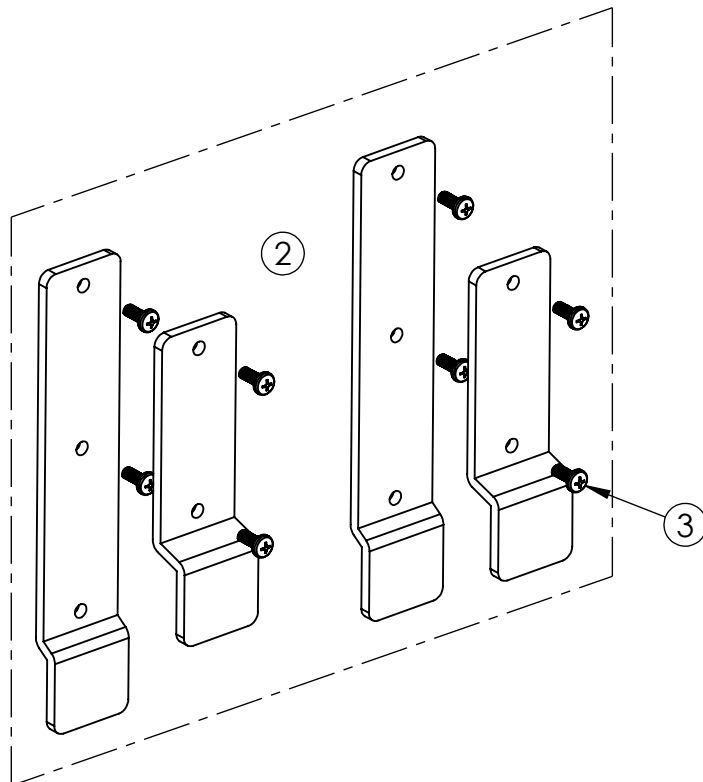


ITEM	PART NUMBER	DESCRIPTION
1	39001029AL	KIT, LEG ASSEMBLY w/ ULTRALOCK, HEAD (ALL PARTS SHOWN, HARDWARE, INSTRUCTIONS)
2	39001030AL	KIT, LEG ASSEMBLY w/ ULTRALOCK, FOOT (ALL PARTS SHOWN, HARDWARE, INSTRUCTIONS)
3	39001031	KIT, ULTRALOCK FRONT COVER (ONE COVER, LABEL, FASTENERS, INSTRUCIONS)
4	39001032	KIT, ULTRALOCK REAR COVER (ONE COVER, FASTENERS, INSTRUCTIONS)
5	39001033	KIT, ULTRALOCK FRONT COVER LABEL (ONE LABEL, INSTRUCTIONS)
6	39001034	KIT, ULTRALOCK, CENTER PEDAL (PEDAL, FASTENERS, INSTRUCTIONS)
7	39001035-M	KIT, ULTRALOCK, RIGHT SIDE PEDAL (PEDAL, CAP, FASTENERS, INSTRUCTIONS)
8	39001036-M	KIT, ULTRALOCK, LEFT SIDE PEDAL (PEDAL, CAP, FASTENERS, INSTRUCTIONS)
9	39001037-M	KIT, TUBE CAP, 1½" (ONE CAP, INSTRUCTIONS)
10	39001038	KIT, TUBE CAP, 1⅛" (ONE CAP, INSTRUCTIONS)
11	39001041-M	KIT, CASTER STEM ASSEMBLY (ONE CASTER, LOCK NUT, INSTRUCTIONS)
12	39001042	KIT, CAUTION LABEL (ONE LABEL, INSTRUCTIONS)

PANEL COMPONENTS
80" 650-LB VERSION
MODEL: ULTRACARE XT



ITEM	PART NUMBER	DESCRIPTION
1	35000714AL	MOUNTING HARDWARE, HEAD PANEL (HEAD PANEL BRACKETS, SCREWS, INSTRUCTIONS)
2	35000713AL	MOUNTING HARDWARE, PANEL SET (HEAD AND FOOT PANEL BRACKETS, SCREWS, INSTRUCTIONS)
3	12542520	SCREW, 1/4-20 x 5/8" (INCLUDED IN MOUNTING HARDWARE KITS)



United States
2430 Whitehall Park Dr. Ste 700
Charlotte, NC 28273
(P) 800.826.0270
(F) 800.457.8827

Canada
35 Consortium Court
London, ON Canada N6E 2S8
(P) 866.546.1151
(F) 519.451.8662

**United Kingdom and
Other Countries**
+44 (0)344 811 1158

Netherlands
+31 (0)88 2080200