



# Parts List

## Joerns® Bed Frames

### WeCare™ Bed

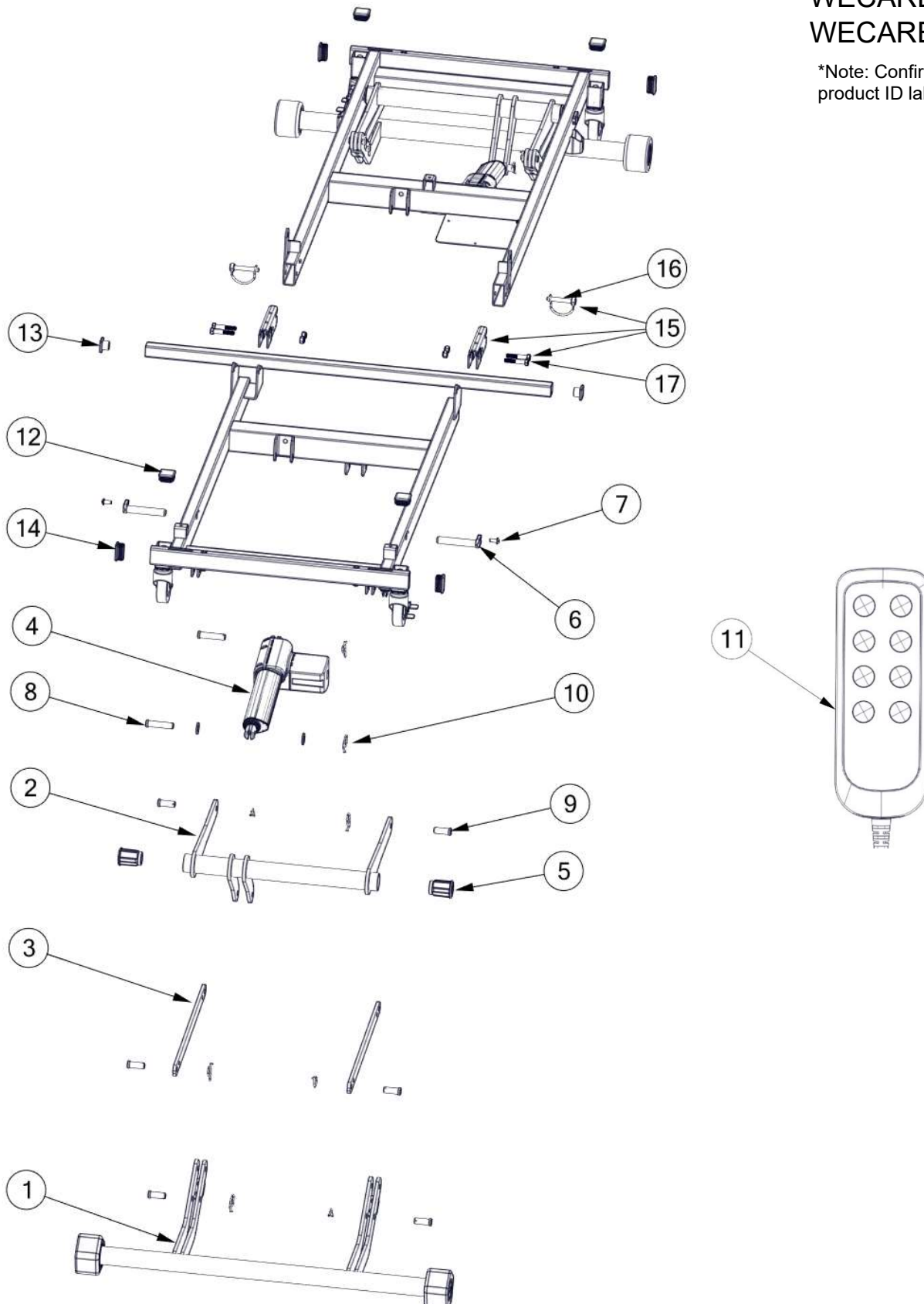
To avoid injury, read user's manual before using.



FRAME & HIGH/LOW  
MECHANISM COMPONENTS  
80" FRAME

MODELS\*: WECARE BASE  
WECARE RIL  
WECARE RAH

\*Note: Confirm bed model per  
product ID label on frame.



FRAME & HIGH/LOW  
MECHANISM COMPONENTS  
80" FRAME  
MODELS\*: WECARE BASE  
WECARE RIL  
WECARE RAH

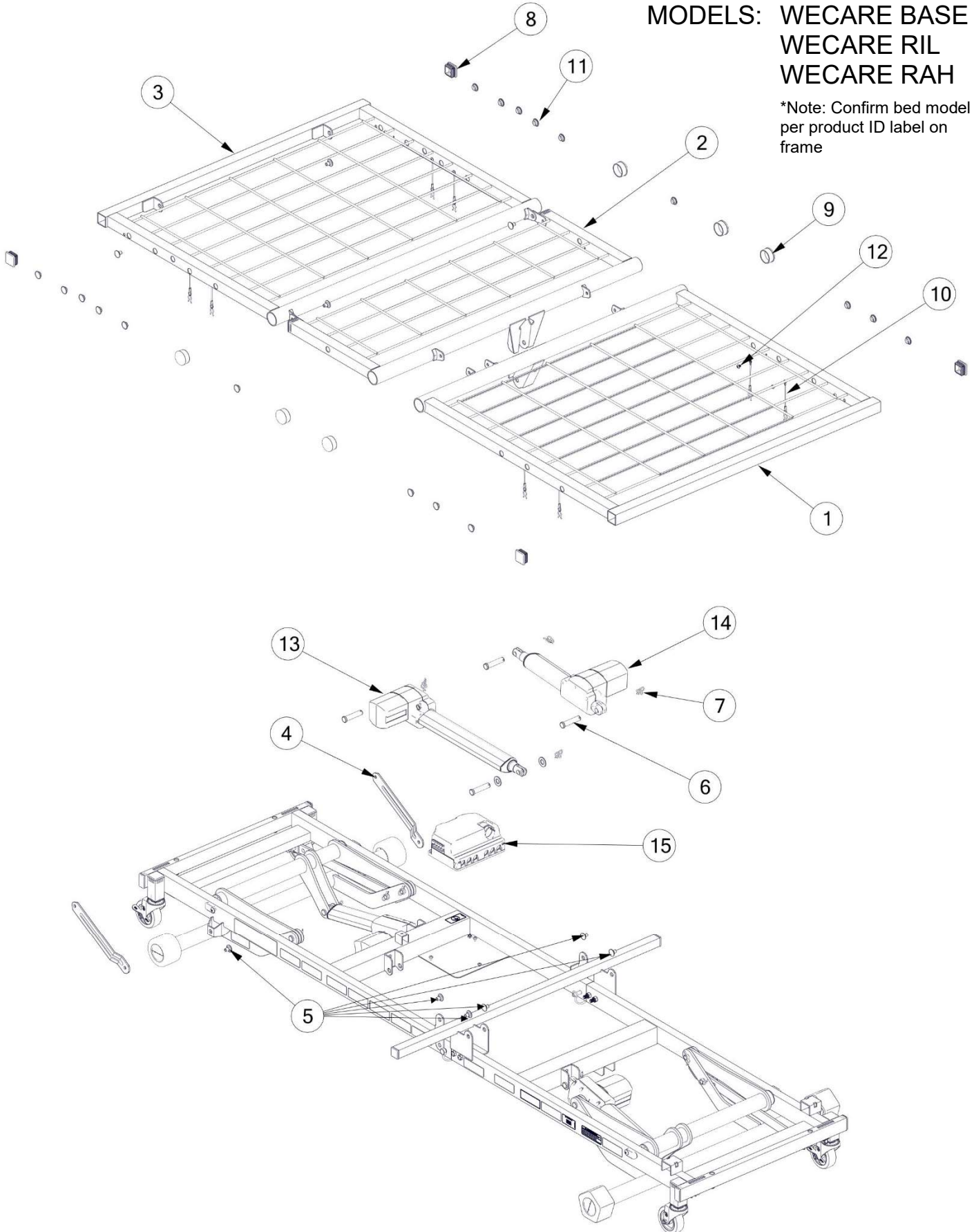
\*Note: Confirm bed model per product ID label on frame.

| ITEM NO. | PART NUMBER | DESCRIPTION  |
|----------|-------------|--|
| 1        | 24006215AL  | WELDMENT, LIFT, BOTTOM (BASE)  |
|          | 24006734AL  | WELDMENT, LIFT, BOTTOM, 8-28 (RIL/RAH)   |
| 2        | 24006390AL  | WELDMENT, LINK, UPPER (BASE)   |
|          | 24006733AL  | WELDMENT, LINK, UPPER, 8-28 (RIL/RAH)  |
| 3        | 11013678AL  | LINK, CONNECTING (BASE)  |
|          | 24006740AL  | WELDMENT, LINK, 8-28 (RIL/RAH)   |
| 4        | 39001910    | KIT, ACTUATOR, HI/LO (BASE)  |
|          | 39001963    | KIT, ACTUATOR, HI-LO, JC35L3, 354/535 (RIL/RAH)  |
| 5        | 11011230    | BUSHING, STABILIZER, PIVOT SHAFT   |
| 6        | 11012662    | STABILIZER, PIVOT SHAFT  |
| 7        | 12552592    | SCREW, 1/4-20 X 5/8", TX TRS HD  |
| 8        | 11012387    | PIN, CLEVIS HEADED   |
| 9        | 11012388    | PIN, CLEVIS HEADED   |
| 10       | 12800032    | PIN, LOCKING COTTER  |
| 11       | 11016809    | PENDANT, 8-BUTTON  |
| 12       | 39001158    | CAP, 1 1/4"X1 1/4" SQUARE PLUG   |
| 13       | 12470467    | CAP, 1'X1" SQUARE PLUG   |
| 14       | 12470486    | CAP, 3/4" X 1 1/2" RECTANGULAR PLUG  |
| 15       | 39001913    | KIT, FRAME COUPLING BRACKET  |
| NS       | 39001918    | KIT, HARDWARE, WECC {INCLUDES: ACTUATOR PINS (2), SAFETY PINS (2), RUE RINGS (2), STEEL WASHERS (2)} |
| 16       | 39001966    | KIT, SAFETY PIN, SPLIT FRAME   |
| 17       | 39001967    | KIT, HARDWARE, SPLIT FRAME CONNECTION  |

# MATTRESS SUPPORT PLATFORM COMPONENTS 80" FRAME

MODELS: WECARE BASE  
WECARE RIL  
WECARE RAH

\*Note: Confirm bed model  
per product ID label on  
frame



MATTRESS SUPPORT  
 PLATFORM COMPONENTS  
 80" FRAME  
 MODELS\*: WECARE BASE  
 WECARE RIL  
 WECARE RAH

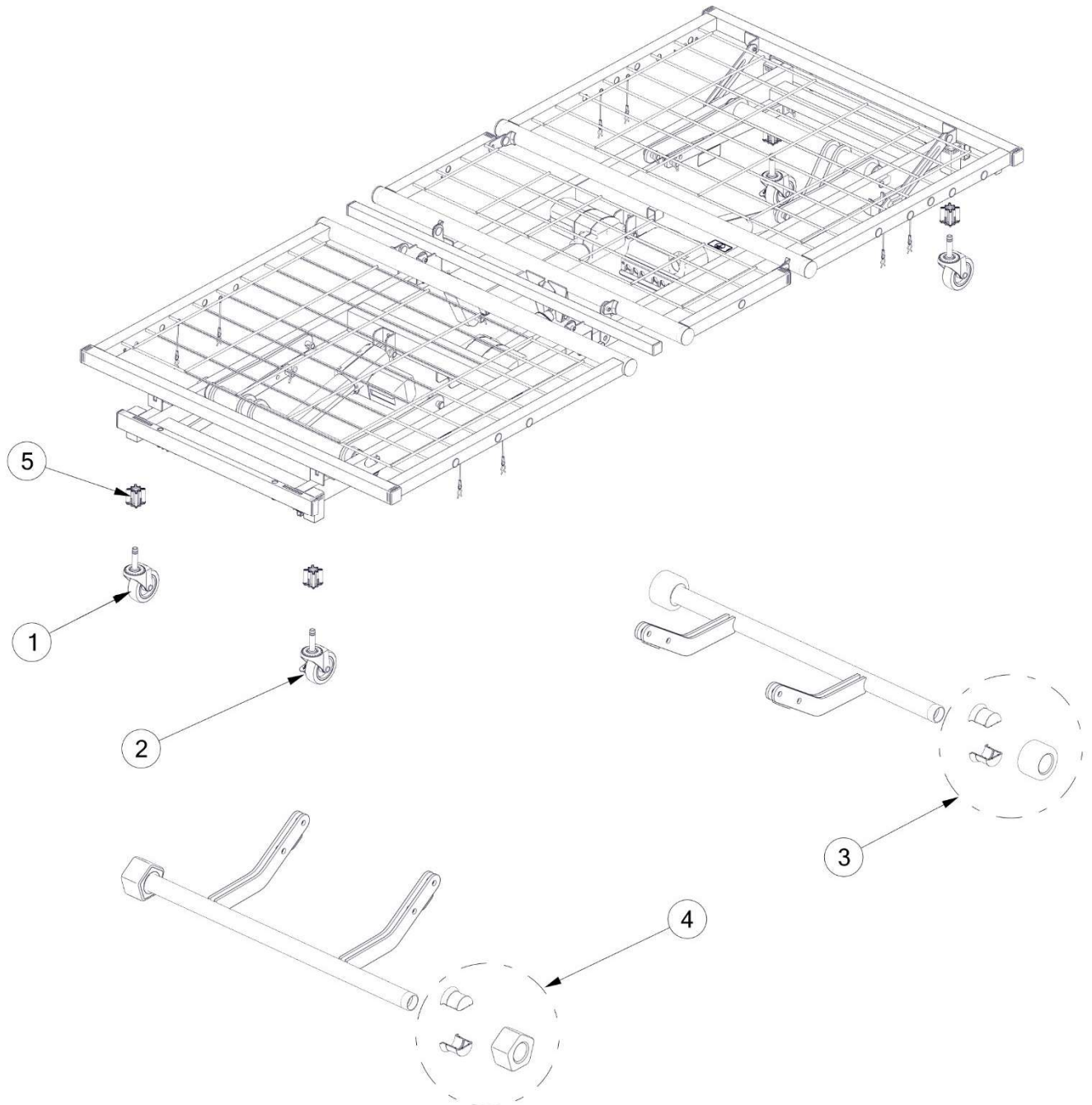
\*Note: Confirm bed model per product ID label on frame.

| ITEM NO. | PART NUMBER | DESCRIPTION                          |
|----------|-------------|--------------------------------------|
| 1        | 24006385AL  | WELDMENT, BACK SECTION, 80 INCH      |
| 2        | 24006387AL  | WELDMENT, KNEE SECTION               |
| 3        | 24006386AL  | WELDMENT, FOOT SECTION               |
| 4        | 11010381AL  | LEVER, LEG                           |
| 5        | 39000052    | KIT, RIVET, REPLACEMENT              |
| 6        | 11012387    | PIN, CLEVIS HEADED                   |
| 7        | 12800032    | PIN, LOCKING COTTER                  |
| NS       | 39001317    | KIT, MATTRESS STOP                   |
| 8        | 39001158    | CAP, 1 1/4" SQUARE PLUG              |
| 9        | 39001037    | CAP, 1 1/2" ROUND PLUG               |
| 10       | 24005271    | CLIP ASSEMBLY                        |
| 11       | 39001067    | KIT, SIDE RAIL PLUGS                 |
| 12       | 12551015    | SCREW, PPHTF, 10-32 X 1/4"           |
| 13       | 39001912    | KIT, ACTUATOR, BACK, JC35L3, 480/580 |
| 14       | 39001911    | KIT, ACTUATOR, KNEE, JC35L3, 322/365 |
| 15       | 39001909    | KIT, CONTROL BOX, JCB35T, BED        |
| NS       | 39001908    | KIT, MAINS CABLE, CLASS I, JCB35T    |
| NS       | 39001965    | KIT, CLIP, MAINS CABLE               |

ROLL IN THE LOW POSITION –  
STANDARD CONFIGURATION  
80" FRAME

MODELS\*: WECARE BASE  
WECARE RIL

\*Note: Confirm bed model per  
product ID label on frame.



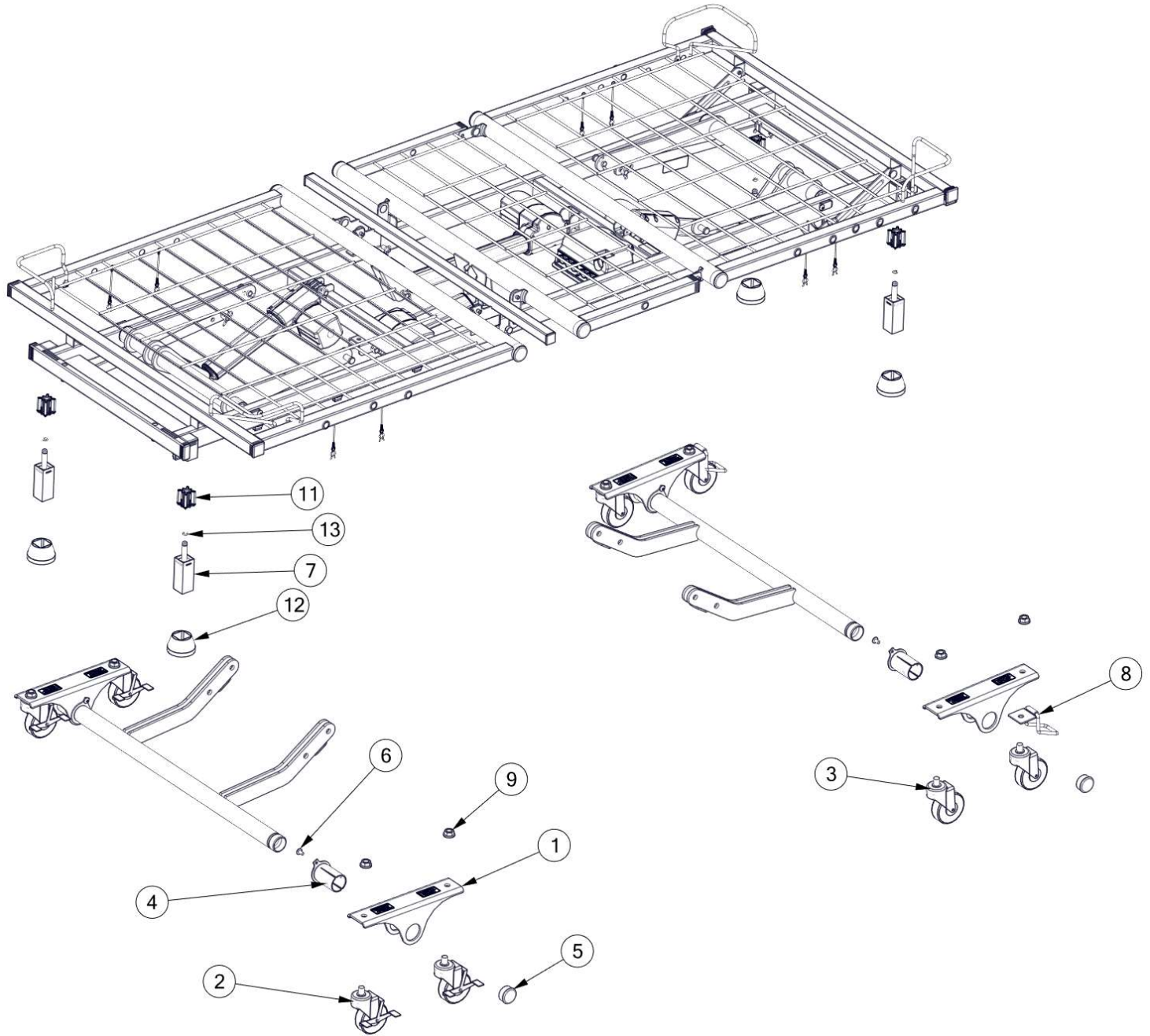
ROLL IN THE LOW POSITION –  
STANDARD CONFIGURATION  
80" FRAME  
MODELS\*: WECARE BASE  
WECARE RIL

\*Note: Confirm bed model per  
product ID label on frame.

| ITEM NO. | PART NUMBER | DESCRIPTION            |
|----------|-------------|------------------------|
| NS       | 11011867AL  | BUMPER, WALL, STD      |
| NS       | 11011899AL  | BUMPER, WALL, FOR T/RT |
| 1        | 11016980    | CASTER, SWIVEL         |
| 2        | 11016981    | CASTER, LOCKING        |
| 3        | 39000792    | KIT, ROLLER AND HUB    |
| 4        | 39000793    | KIT, PENTAGON AND HUB  |
| 5        | 11009561    | CASTER SOCKET          |

**ROLL AT ANY HEIGHT –  
STANDARD CONFIGURATION  
80" FRAME  
MODELS\*: WECARE RAH**

\*Note: Confirm bed model per product ID label on frame.





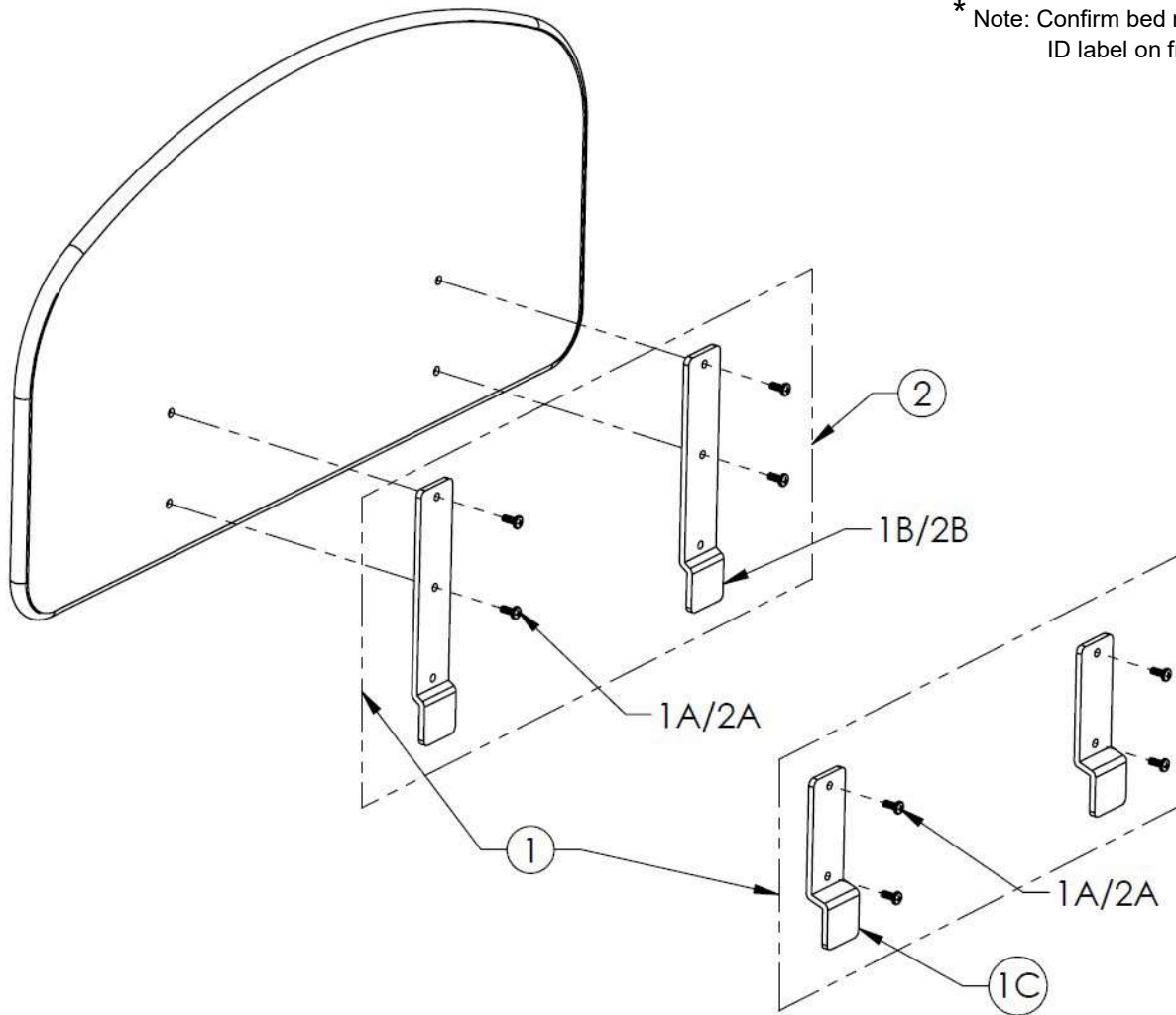
**ROLL AT ANY HEIGHT –  
STANDARD CONFIGURATION  
80” FRAME  
MODELS\*: WECARE RAH**

\*Note: Confirm bed model per product ID label on frame.

| ITEM NO. | PART NUMBER | DESCRIPTION                     |
|----------|-------------|---------------------------------|
| 1        | 11012492AL  | BRACKET, CASTER                 |
| 2        | 12630001    | CASTER, LOCKING                 |
| 3        | 12630000    | CASTER, SWIVEL                  |
| 4        | 11012241    | BEARING, GRIPLOCK, ASSY., PIVOL |
| 5        | 39001037    | CAP, PLUG, 1 ½ DIAMETER, BLACK  |
| 6        | 12552586    | SCREW, ¼ - 20 X ½, TX TRS HD    |
| 7        | 24006743AL  | WELDMENT, STEM ASM, 3.18        |
| 8        | 31008901    | WHEEL LOCK, STRAIGHT            |
| 9        | 12675024    | NUT, 12-13, WHIZ LOCK, ZINC     |
| NS       | 11011867AL  | BUMPER, WALL, STD               |
| NS       | 11011899AL  | BUMPER, WALL FOR T/RT           |
| 11       | 11009561    | CASTER, SOCKET                  |
| 12       | 11009576    | FOOT PAD                        |
| 13       | 11009562    | RING GRIP                       |

PANEL COMPONENTS  
80" FRAME  
MODELS\*: WECARE BASE

\* Note: Confirm bed model per product ID label on frame



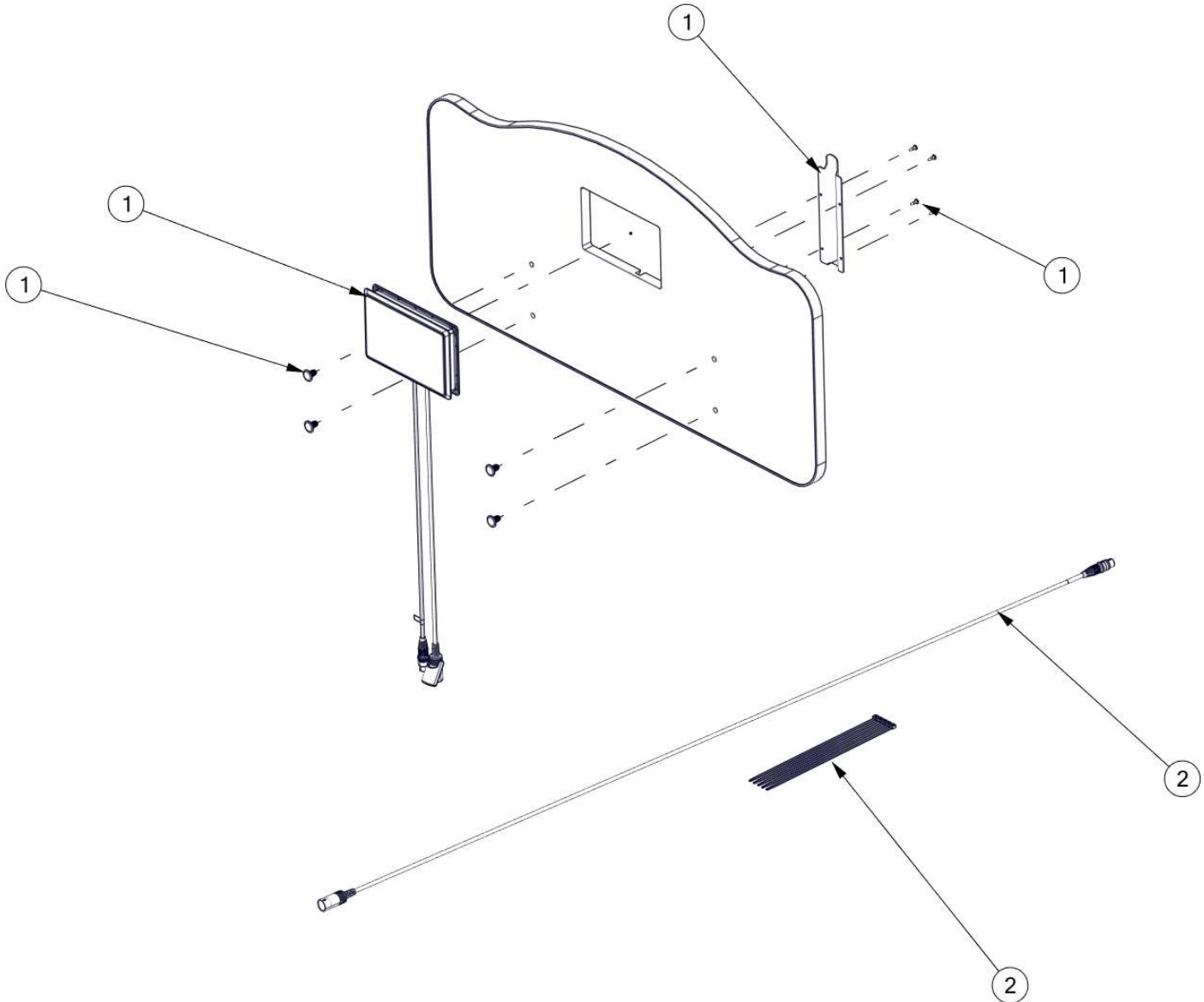
| ITEM 1 35000713AL HARDWARE, HEAD AND FOOT PANELS |            |                           |
|--|------------|---------------------------|
| PART   | PART NO.   | DESCRIPTION               |
| 1A   | 12542520   | SCREW, 1/4-20 X 5/8       |
| 1B   | 11012848AL | BRACKET, HEAD PANEL       |
| 1C   | 11012724AL | BRACKET, FOOT PANEL       |
| NS   | 6150316    | INSTALLATION INSTRUCTIONS |

| ITEM 2 35000714AL HARDWARE, HEAD PANEL ONLY |            |                           |
|---|------------|---------------------------|
| PART  | PART NO.   | DESCRIPTION               |
| 2A  | 12542520   | SCREW, 1/4-20 X 5/8       |
| 2B  | 11012848AL | BRACKET, HEAD PANEL       |
| NS  | 6150316    | INSTALLATION INSTRUCTIONS |

"NS" = NOT SHOWN

STAFF CONTROL  
 PANEL COMPONENTS  
 80" FRAME  
 MODELS\*: WECARE RIL  
 WECARE RAH

\* Note: Confirm bed model per product ID label on frame.



| ITEM NO. | PART NUMBER | DESCRIPTION  |
|----------|-------------|--|
| 1        | 39001968    | KIT, STAFF CONTROL WECC (ALL PARTS SPECIFIED EXCEPT PANEL) |
| 2        | 39001969    | KIT, STAFF CONTROL CABLE, WECC                             |

**Post Acute, Acute, HomeCare**  
2430 Whitehall Park Dr. Ste 100  
Charlotte, NC 28273  
(P) 800.826.0270  
(F) 800.457.8827

**VA/Government**  
19748 Dearborn Street  
Chatsworth, CA 91311  
(P) 800.966.6662  
(F) 800.232.9796

**Canadian Office**  
35 Consortium Court  
London, ON Canada N6E 2S8  
(P) 866.546.1151  
(F) 519.451.8662

**United Kingdom and  
Other Countries**  
+44 (0)844 811 1156  
+44 (0)844 811 1157

**Netherlands**  
+31 (0)30 6363700  
+31 (0)30 6363799