



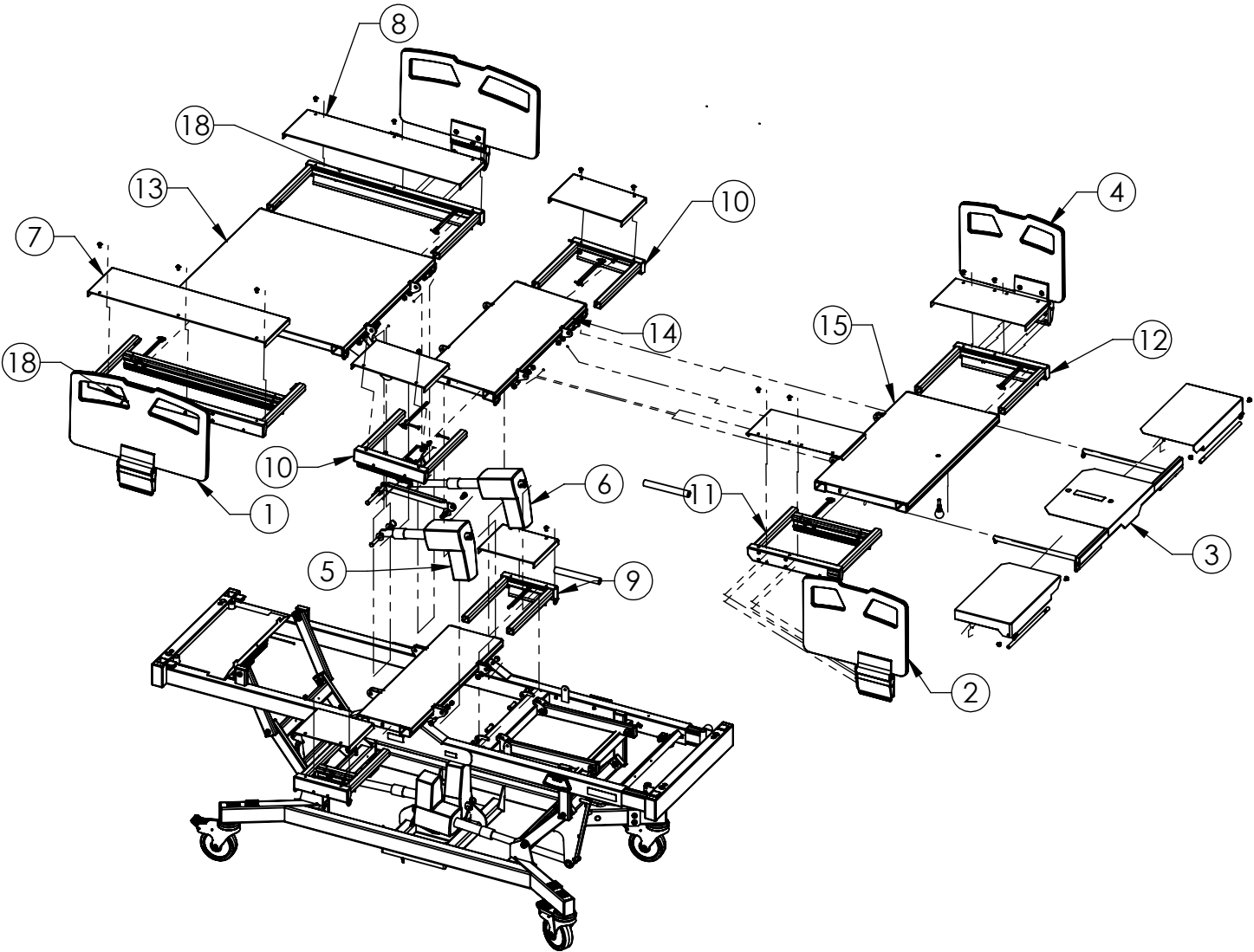
Parts List

Joerns® Bed Frames

Bari10A



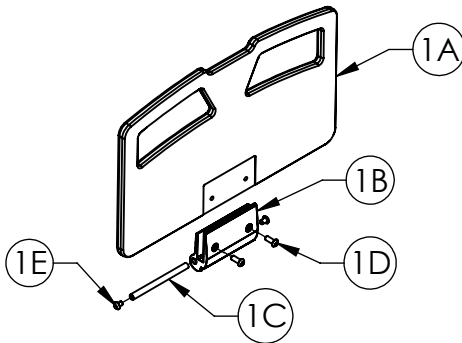
MATTRESS SUPPORT
PLATFORM
SERVICE COMPONENTS
MODELS: BARI10A



USE NUMBER BALLOONS ON THE PAGE TO MATCH TO CORRESPONDING BILL OF MATERIALS IN THE FOLLOWING PAGES

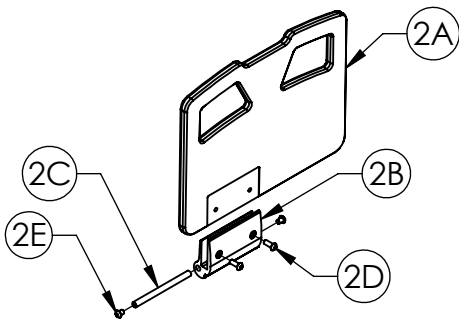
MATTRESS SUPPORT PLATFORM SERVICE COMPONENTS BARI10A

1



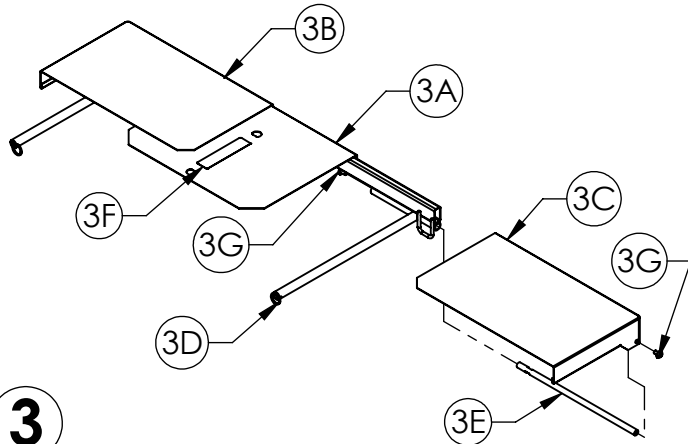
ITEM 1 39000917 Head Rail w/ Sub Assembly Components			
PART	PART #	DESCRIPTION	QTY.
1A	11013501	SIDE RAIL, HEAD	1
1B	11013503	SIDE RAIL MOUNT, ANODIZED	1
1C	11013505	SIDE RAIL PIVOT SHAFT	1
1D	12523774	BOLT, BY, 3/8-16 x 1	2
1E	12543717	SCREW, BUTTONHEAD, 3/8-16X.50"L	2
NS	12010060	LOCTITE®	1
NS	6150297	INSTALLATION INSTRUCTION, HEAD RAIL, BARI10A	1

2



ITEM 2 39000919 Right Foot Rail w/ Sub Assembly Components			
PART	PART #	DESCRIPTION	QTY.
2A	11013499	SIDE RAIL, FOOT, RIGHT	1
2B	11013503	SIDE RAIL MOUNT, ANODIZED	1
2C	11013505	SIDE RAIL PIVOT SHAFT	1
2D	12523774	BOLT, BH, 3/8-16 x 1	2
2E	12543717	SCREW, BUTTONHEAD, 3/8-16X.50"L	2
NS	12010060	LOCTITE®	1
NS	6150307	INSTALLATION INSTRUCTION, RIGHT FOOT RAIL, BARI10A	1

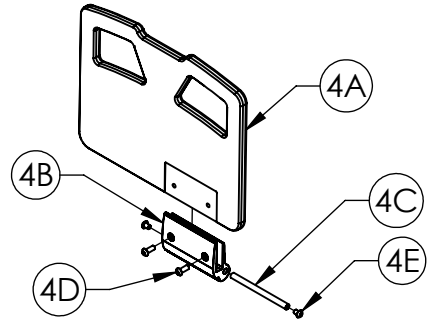
3



ITEM 3 39000943AL Deck Length Extension Components			
PART	PART #	DESCRIPTION	QTY.
3A	24006363AL	FOOT LENGTH EXTENDER FRAME	1
3B	24006379AL	FOOT LENGTH EXTENDER, LEFT	1
3C	24006380AL	FOOT LENGTH EXTENDER, RIGHT	1
3D	12809807	RING, KICKOUT	2
3E	11013517	FOOT LENGTH EXTENDER, ROD LEFT	2
3F	216-2269	JOERNS BARI10A, LABEL SET	1
3G	12523775	BOLT, BH, 5/16-18 x 1/2, SS	4
NS	12020042	TEFLON TAPE	7.5 FT
NS	6150289	INSTALLATION INSTRUCTIONS, DECK LENGTH EXT., BARI10A	1

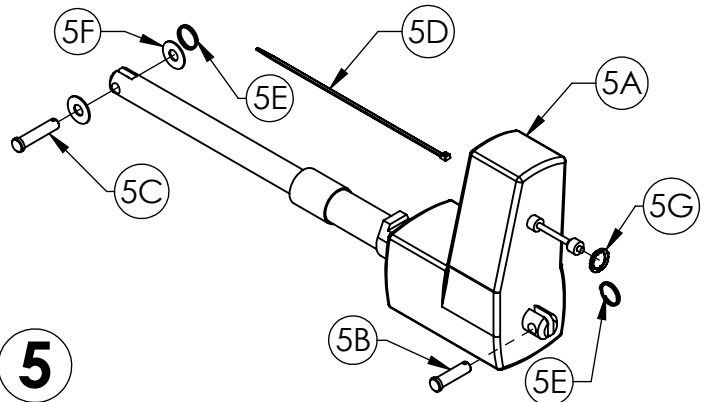
"NS" = NOT SHOWN

4



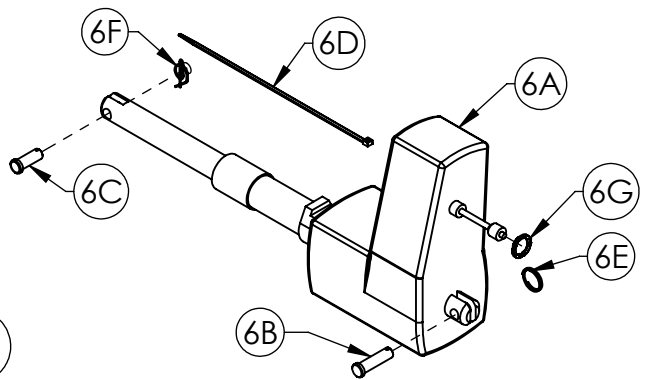
ITEM 4 39000918 Left Foot Rail w/ Sub Assembly Components			
PART	PART #	DESCRIPTION	QTY.
4A	11013500	SIDE RAIL, FOOT, LEFT	1
4B	11013503	SIDE RAIL MOUNT, ANODIZED	1
4C	11013505	SIDE RAIL PIVOT SHAFT	1
4D	12523774	BOLT, BH, 3/8-16 x 1	2
4E	12543717	SCREW, BUTTONHEAD, 3/8-16X.50"L	2
NS	12010060	LOCTITE®	1
NS	6150300	INSTALLATION INSTRUCTION, LEFT FOOT RAIL, BARI10A	1

5



ITEM 5 39001122 Back Actuator Components			
PART	PART #	DESCRIPTION	QTY.
5A	11013565	ACTUATOR, LA34, BACK	1
5B	11012238	PIN, SLEEP SURFACE PIVOT	1
5C	11012387	PIN, MOUNT	1
5D	12160281	TIE-CABLE	1
5E	12809807	RING, KICKOUT	2
5F	12849113	WASHER, FLAT	2
5G	12999049	LOCKING RING, MOTOR CABLE	1
NS	6150388	INSTALLATION INSTRUCTIONS, BARI10A, ACTUATOR, BACK	1

6

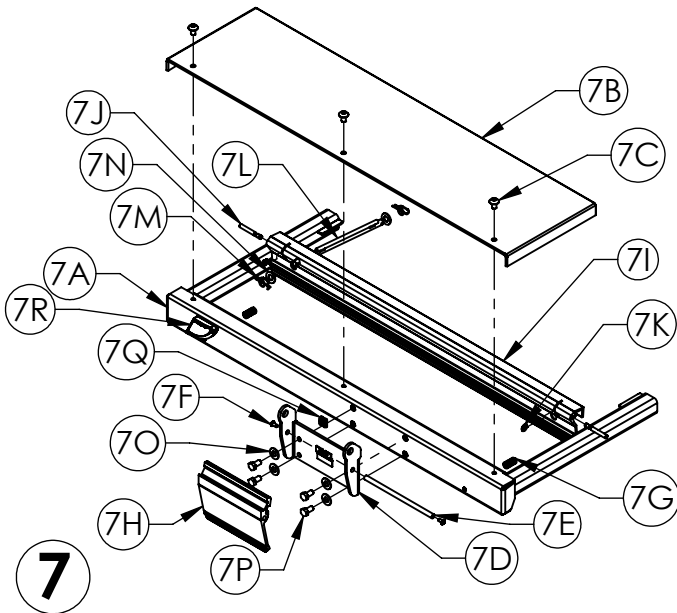


ITEM 6 39001121 Foot Actuator Components			
PART	PART #	DESCRIPTION	QTY.
6A	11013564	ACTUATOR, LA34, KNEE	1
6B	11012238	PIN, SLEEP SURFACE PIVOT	1
6C	11012388	PIN, JOINT	1
6D	12160281	TIE-CABLE	2
6E	12809807	RING, KICKOUT	1
6F	12800032	RING, RUE	1
6G	12999049	LOCKING RING, MOTOR CABLE	1
NS	6150387	INSTALLATION INSTRUCTIONS, BARI10A, ACTUATOR, KNEE	1

MATTRESS SUPPORT PLATFORM SERVICE COMPONENTS BARI10A

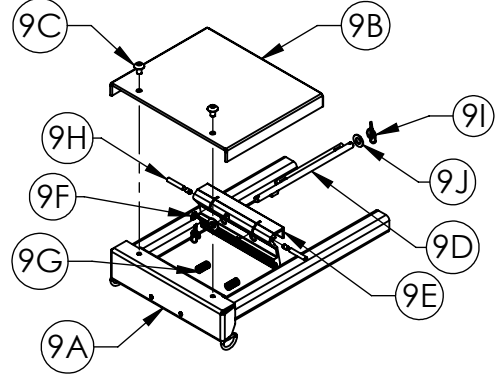
ITEM 8 CONTINUED

8G	12390119	SPRING, .48 x 1.475 x .38	2
8H	11013506	SIDE RAIL RELEASE HANDLE, ANO.	1
8I	11013513	EXT LATCH HANDLE, HEAD, ANO	1
8J	11013519	DECK EXTENSION HANDLE SHAFT	2
8K	12802502	E-RING, 1/4" SHAFT	2
8L	24006375	DECK EXTENDER LATCH ROD (3 PARTS)	1
8M	12800032	RUE RING	2
8N	12843789	WASHER, FLAT, STL, 3/8, BLACK	2
8O	12842789	WASHER, 5/16	4
8P	12543183	HEX BOLT, 5/16-18 x 5/8	4
8Q	12390120	SPRING, .24 O.D. x .56 LONG	2
8R	-	LEV-O-GAGE, 60 DEG, LH	1
NS	12010060	LOCTITE®	1
NS	12020042	TEFLON TAPE, 1/2 x .005 THK	32"
NS	6150301	INSTALLATION INSTRUCTIONS, LEFT HAND DECK EXT., BARI10A	1



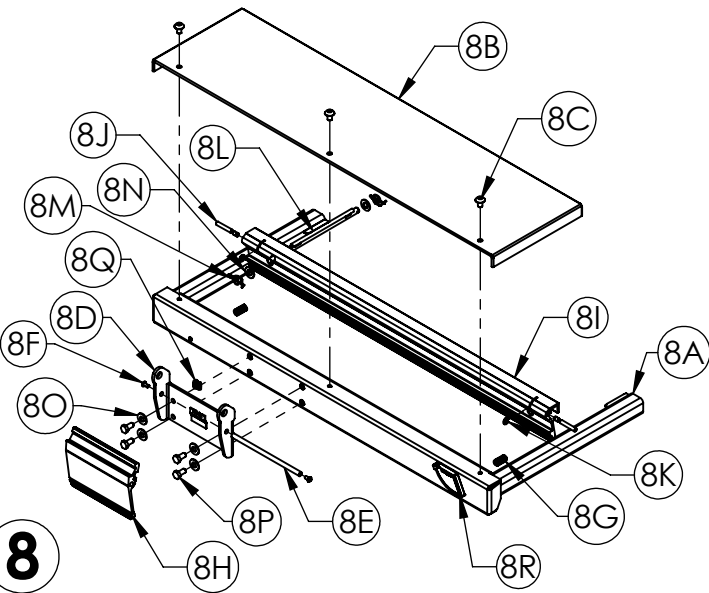
ITEM 7 39000923AL Slide Out Section, Right Head Components

PART	PART #	DESCRIPTION	QTY.
7A	24006360AL	DEX WELDMENT, HEAD, RIGHT	1
7B	11013528AL	DEXT DECK, HEAD	1
7C	12523775	BOLT, BH 5/16-18 x 1/2, SS	3
7D	24006295AL	SIDE RAIL MOUNT WELDMENT	1
7E	11013504	SIDE RAIL RELEASE HANDLE, PIVOT SHAFT	1
7F	12541036	SCREW, BH 10-32 x 3/8, HEX DRIVE, SS	2
7G	12390119	SPRING, .48 x 1.475 x .38	2
7H	11013506	SIDE RAIL RELEASE HANDLE, ANO.	1
7I	11013513	EXT LATCH HANDLE, HEAD, ANO	1
7J	11013519	DECK EXTENSION HANDLE SHAFT	2
7K	12802502	E-RING, 1/4" SHAFT	2
7L	24006375	DECK EXTENDER LATCH ROD (3 PARTS)	1
7M	12800032	RUE RING	2
7N	12843789	WASHER, FLAT, STL, 3/8, BLACK	2
7O	12842789	WASHER, 5/16	4
7P	12543183	HEX BOLT, 5/16-18 x 5/8	4
7Q	12390120	SPRING, .24 O.D. x .56 LONG	2
7R	-	LEV-O-GAGE, 60 DEG, RH	1
NS	12010060	LOCTITE®	1
NS	12020042	TEFLON TAPE, 1/2 x .005 THK	32"
NS	6150308	INSTALLATION INSTRUCTIONS, RIGHT HAND DECK EXT., BARI10A	1



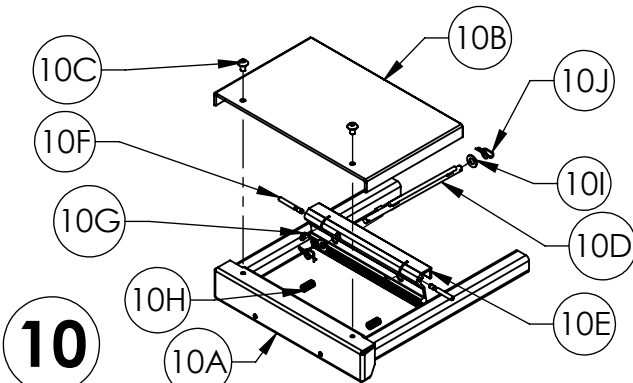
ITEM 9 39000924AL Seat Deck Extension Components

PART	PART #	DESCRIPTION	QTY.
9A	24006373AL	DEXT WELDMENT, SEAT	1
9B	11013534AL	DEXT DECK, SEAT	1
9C	12523775	BOLT, BH 5/16-18 x 1/2, SS	2
9D	24006375	DECK EXTENDER, LATCH ROD	1
9E	11013516	EXT. LATCH HANDLE, SEAT	1
9F	12802502	E-RING, BLACK	2
9G	12390119	COMPRESSION SPRING, .48 x 1.475 x .38	2
9H	11013519	DECK EXTENSION HANDLE SHAFT	2
9I	12800032	RING, RUE-22	2
9J	12843789	WASHER, FLAT, STL, 3/8, BLACK	2
NS	12020042	TEFLON TAPE, 1/2 x .005 THK	9.7"
NS	6150310	INSTALLATION INSTRUCTION, SEAT DECK EXT., BARI10A	1



ITEM 8 39000922AL Slide Out Section, Left Head Components

PART	PART #	DESCRIPTION	QTY.
8A	24006361AL	DEX WELDMENT, HEAD, LEFT	1
8B	11013528AL	DEXT DECK, HEAD	1
8C	12523775	BOLT, BH 5/16-18 x 1/2, SS	3
8D	24006295AL	SIDE RAIL MOUNT WELDMENT	1
8E	11013504	SIDE RAIL RELEASE HANDLE, PIVOT SHAFT	1
8F	12541036	SCREW, BH 10-32 x 3/8, HEX DRIVE, SS	2

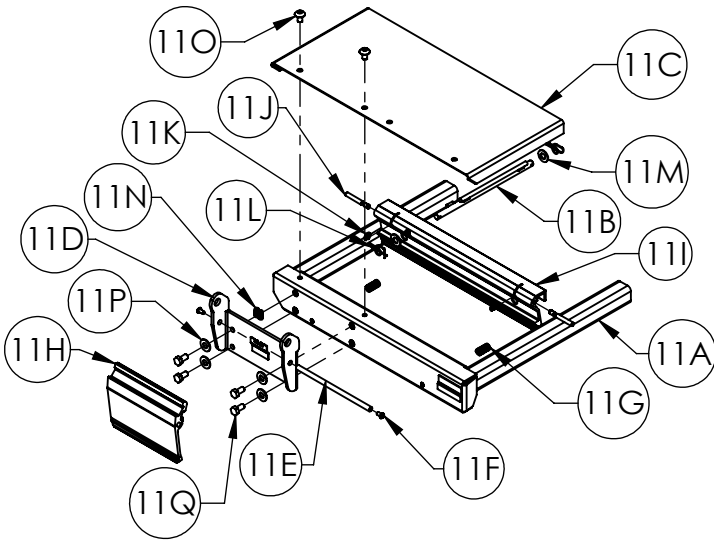


ITEM 10 39000942AL Knee Deck Extension Components

PART	PART #	DESCRIPTION	QTY.
10A	24006367AL	DEXT WELDMENT, KNEE	1
10B	11013532AL	DEXT DECK, KNEE	1
10C	12523775	BOLT, BH, 5/16-18 x 1/2, SS	2
10D	24006375	DECK EXTENDER, LATCH ROD	1
10E	11013514	EXT. LATCH HANDLE, KNEE	1
10F	11013519	DECK EXTENSION, HANDLE SHAFT	2
10G	12802502	E-RING, BLACK	2
10H	12390119	COMPRESSION SPRING, .48 x 1.475 x .38W	2
10I	12843789	WASHER, FLAT, STL, 3/8, BLACK	2
10J	12800032	RUE RING	2
NS	12020042	TEFLON TAPE, 1/2 x .005 THK	12.5"
NS	6150298	INSTALLATION INSTRUCTIONS, KNEE EXT., BARI10A	1

"NS" = NOT SHOWN

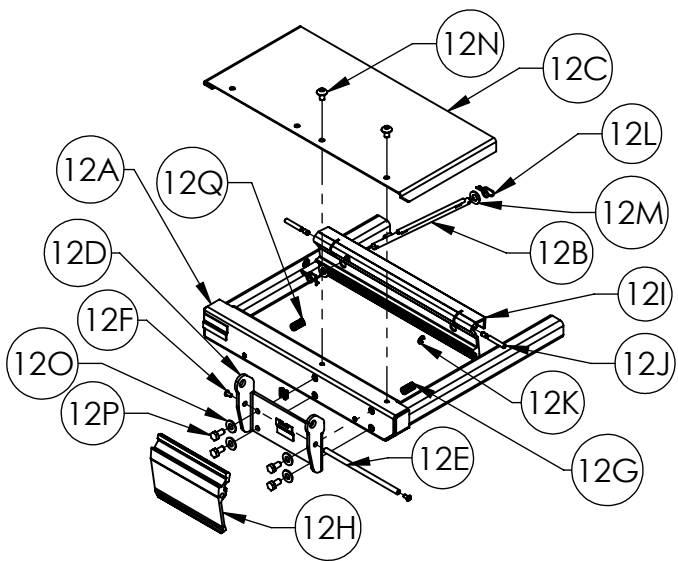
MATTRESS SUPPORT PLATFORM SERVICE COMPONENTS BARI10A



11

ITEM 11 39000941AL Right Foot Deck Extension Components

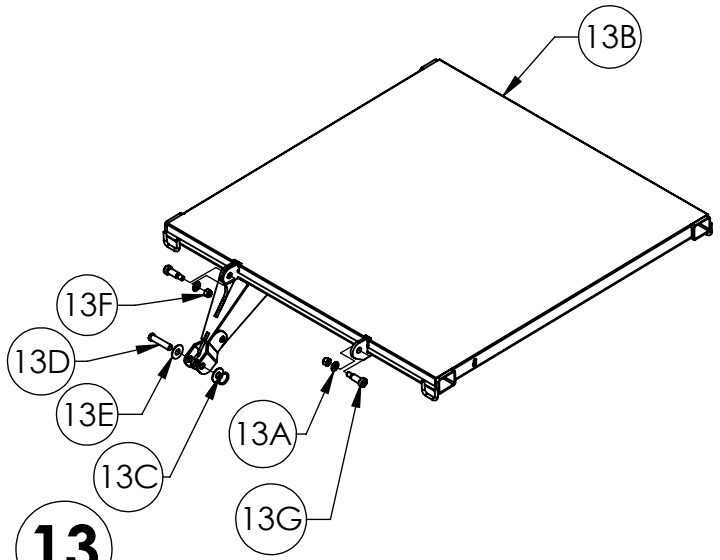
PART	PART #	DESCRIPTION	QTY.
11A	24006371AL	DEXT WELDMENT, FOOT RIGHT	1
11B	24006375	DECK EXTENDER, LATCH ROD	1
11C	11013533AL	DEXT DECK, FOOT	1
11D	24006295AL	SIDE RAIL MOUNT, WELDMENT	1
11E	11013504	SHAFT, SIDE RAIL, RELEASE HANDLE	1
11F	12541036	SCREW, BH 10-32 x .38	2
11G	12390119	SPRING, COMPRESSION, .48 x 1.475 x .38	2
11H	11013506	SIDE RAIL RELEASE HANDLE	1
11I	11013515	EXT. LATCH HANDLE FOOT	1
11J	11013519	DECK EXT., HANDLE SHAFT	2
11K	12802502	E-RING, BLACK	2
11L	12800032	RING, RUE-22	2
11M	12843789	WASHER, FLAT, STL, 3/8, BLACK	2
11N	12390120	SPRING, .24 x .56	31"
11O	12523775	BH, SCREW, 5/16-18 x 1/2	2
11P	12842789	WASHER, 5/16	4
11Q	12543183	BOLT, HEX 5/16-18 x .062	4
NS	12010060	LOCTITE®	1
NS	12020042	TEFLON TAPE, 1/2 x .005 THK	1
NS	6150306	INSTALLATION INSTRUCTIONS, RIGHT FOOT DECK, BARI10A	1



12

ITEM 12 39000925AL Left Foot Deck Extension Components

PART	PART #	DESCRIPTION	QTY.
12A	24006370AL	DEXT WELDMENT, FOOT	1
12B	24006375	DECK EXTENDER, LATCH ROD	1
12C	11013533AL	DEXT DECK, FOOT	1
12D	24006295AL	SIDE RAIL MOUNT, WELDMENT	1
12E	11013504	SHAFT, SIDE RAIL, RELEASE HANDLE	1
12F	12541036	SCREW, BH 10-32 x .38	2
12G	12390119	SPRING, COMPRESSION, .48 x 1.475 x .38	2
12H	11013506	SIDE RAIL RELEASE HANDLE	1
12I	11013515	EXT. LATCH HANDLE FOOT	1
12J	11013519	DECK EXT., HANDLE SHAFT	2
12K	12802502	E-RING, BLACK	2
12L	12800032	RING, RUE-22	2
12M	12843789	WASHER, FLAT, STL, 3/8, BLACK	2
12N	12523775	BH, SCREW, 5/16-18 x 1/2	2
12O	12842789	WASHER, 5/16	4
12P	12543183	BOLT, HEX 5/16-18 x .062	4
12Q	12390120	SPRING, .24 x .56	1
NS	12020042	TEFLON TAPE, 1/2 x .005 THK	31"
NS	12010060	LOCTITE®	1
NS	6150299	INSTALLATION INSTRUCTIONS, LEFT FOOT DECK EXT., BARI10A	1



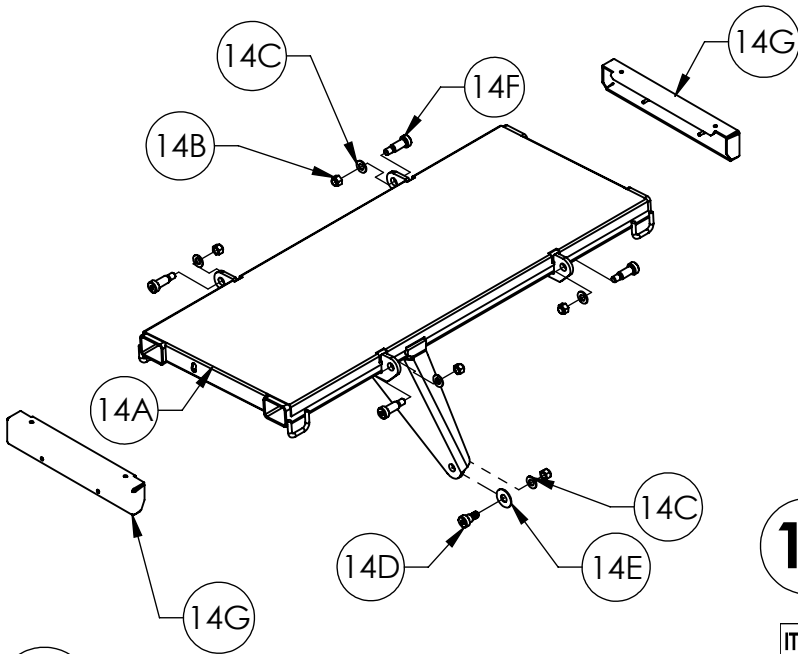
13

ITEM 13 39001102AL Head Section Components

PART	PART #	DESCRIPTION	QTY.
13A	12843789	WASHER, FLAT STL 3/8 SAE BLK OX	4
13B	24006287AL	DECK SECTION-HEAD	1
13C	12809807	RING, KICKOUT	1
13D	11012387	PIN, MOUNT	1
13E	12849113	WASHER, FLAT,	2
13F	12673718	3/8-16 NYLOCK NUT	2
13G	12523777	SHOULDER BOLT, 50 X 1.00 LONG	2
NS	12800032	RING, RUE-22	2
NS	6150422	INSTALLATION INSTRUCTIONS, HEAD SECTION COMPONENTS	1

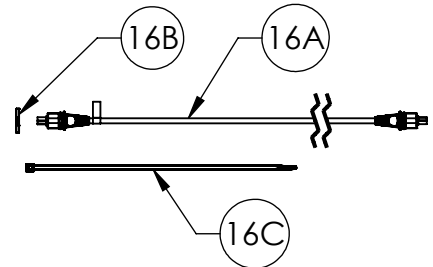
"NS" = NOT SHOWN

MATTRESS SUPPORT PLATFORM SERVICE COMPONENTS BARI10A



14

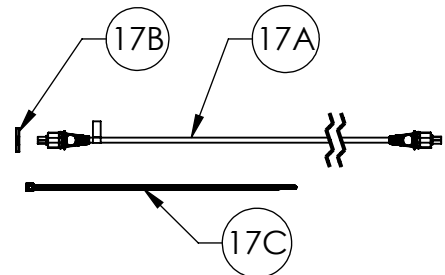
ITEM 14 39001103AL Knee Section Components			
PART	PART #	DESCRIPTION	QTY.
14A	24006366AL	DECK SECTION- KNEE	1
14B	12673718	3/8-16 NYLOCK NUT	5
14C	12843789	WASHER,FLAT STL 3/8 SAE BLK OX	7
14D	12523771	SHOULDER BOLT .50X 0.62 LONG	1
14E	12849113	WASHER, FLAT	1
14F	12523777	SHOULDER BOLT .50 X 1.00 LONG	4
14G	11013479	Dext SHEET METAL-KNEE	2
NS	12800032	RING, RUE-22	2
NS	6150423	INSTALLATION INSTRUCTIONS, KNEE DECK SECTION	1



16

NOT SHOWN IN EXPLODED VIEWS (PAGE 1 OR PAGE 6)

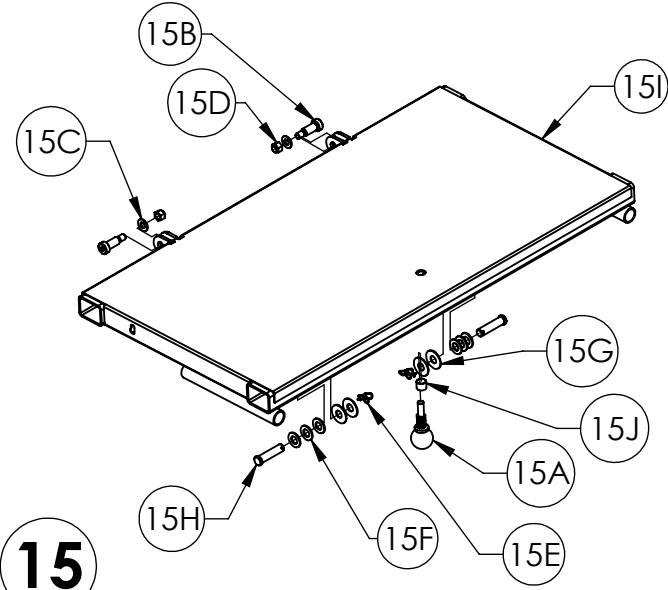
ITEM 16 39001135 Back Motor Cable Components			
PART	PART #	DESCRIPTION	QTY.
16A	-	CABLE, MOTOR, BACK	1
16B	-	LOCKING RING, MOTOR CABLE	1
16C	-	TIE, CABLE	9
NS	-	INSTALLATION INSTRUCTIONS, BARI10A, MOTOR CABLE	1



17

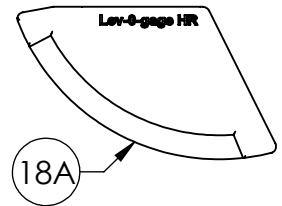
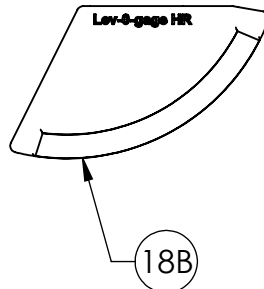
NOT SHOWN IN EXPLODED VIEWS (PAGE 1 OR PAGE 6)

ITEM 17 39001136 Knee Motor Cable Components			
PART	PART #	DESCRIPTION	QTY.
17A	-	CABLE, MOTOR, KNEE	1
17B	-	LOCKING RING, MOTOR CABLE	1
17C	-	TIE, CABLE	10
NS	-	INSTALLATION INSTRUCTIONS, BARI10A, MOTOR CABLE	1



15

ITEM 15 39001104AL Foot Section Components			
PART	PART #	DESCRIPTION	QTY.
15A	12999031	Quick Release Pin 1.5 in lg	1
15B	12523777	SHOULDER BOLT .50 X 1.00 LONG	2
15C	12843789	WASHER,FLAT STL 3/8 SAE BLK OX	2
15D	12673718	3/8-16 NYLOCK NUT	2
15E	12800032	RING, RUE	6
15F	12845007	WASHER, STEEL	6
15G	12849113	WASHER, FLAT	4
15H	12795002	CLEVIS PIN, 1/2X2.00 LONG	2
15I	24006369AL	DECK SECTION- FOOT	1
15J	11013518	COLLAR-RELEASE PIN	1
NS	12809807	KICK-OUT RING	2
NS	6150424	INSTALLATION INSTRUCTIONS, FOOT DECK SECTION	1

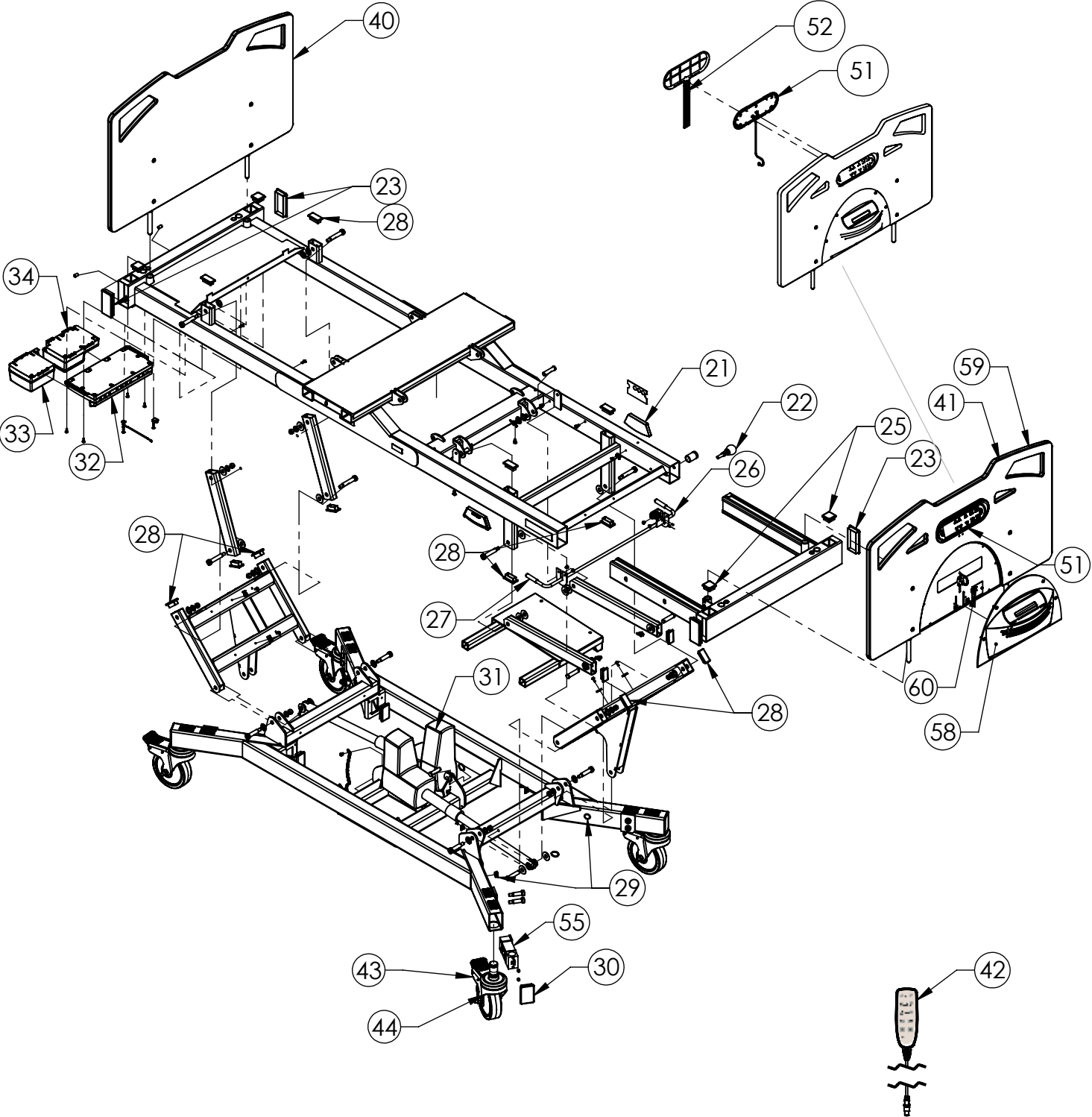


18

ITEM 18 N165 Head Section Angle Indicator Components			
PART	PART #	DESCRIPTION	QTY.
18A	-	LEV-O-GAGE, 60 DEG, RH	1
18B	-	LEV-O-GAGE, 60 DEG, LH	1
NS	-	INSTALLATION INSTRUCTIONS, ANGLE INDICATOR	1

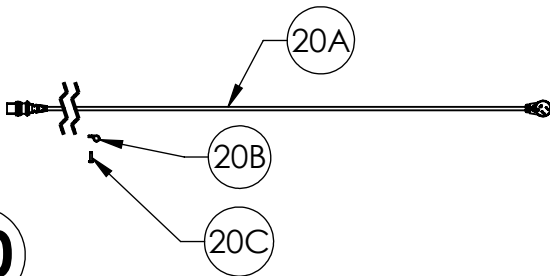
"NS"= NOT SHOWN
"- " = INDIVIDUAL COMPONENTS NOT AVAILABLE

UPPER AND LOWER BED FRAME
SERVICE COMPONENTS
MODEL: BARI10A



USE NUMBER BALLOONS ON THE PAGE TO MATCH TO CORRESPONDING BILL OF MATERIALS IN THE FOLLOWING PAGES

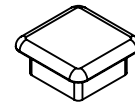
UPPER AND LOWER BED FRAME SERVICE COMPONENTS BARI10A



20

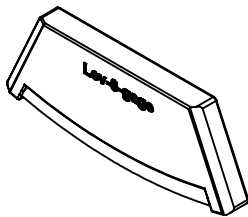
NOT SHOWN IN EXPLODED VIEWS (PAGE 1 OR PAGE 6)

ITEM 20 39001134 Mains Cable Components			
PART	PART #	DESCRIPTION	QTY.
20A	-	CABLE, MAINS, CB20	1
20B	-	STRAIN RELIEF, HEYCO	1
20C	-	#10-32 X 3/4 TORX, THREAD FORMING	1
NS	-	INSTALLATION INSTRUCTIONS, BARI10A, MAINS CABLE	1



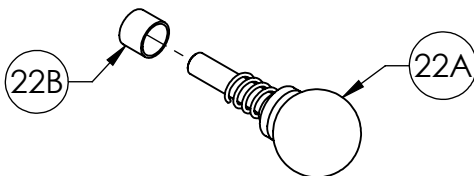
25

ITEM 25 39000932 End Cap Components			
PART	PART #	DESCRIPTION	QTY.
25A	-	END CAP TUBE, 1.5" x 1.5"	4
NS	-	INSTALLATION INSTRUCTIONS, END CAP, 1/5" x 1.5", BARI10A	1



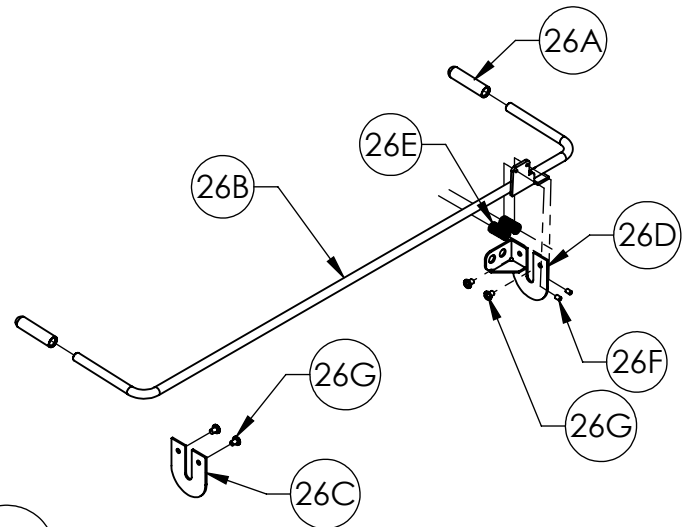
21

ITEM 21 39000937 Angle Indicator Components			
PART	PART #	DESCRIPTION	QTY.
21A	12999029	ANGLE INDICATOR/INCLINOMETER	1
NS	6150284	INSTALLATION INSTRUCTIONS, ANGLE INDICATOR, BARI10A	1



22

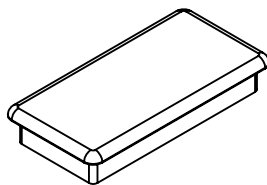
ITEM 22 39000920 Slide-Out Knob Components			
PART	PART #	DESCRIPTION	QTY.
22A	-	QUICK RELEASE PIN, 1.5IN.	1
22B	-	COLLAR-RELEASE PIN	1
NS	-	LOCTITE®	1



26

ITEM 26 39001071 CPR Handle Components			
PART	PART #	DESCRIPTION	QTY.
26A	12470482	RED CAP	2
26B	24006374	MANUAL RELEASE LEVER	1
26C	11013502	QUICK RELEASE MOUNT-PLAIN	1
26D	11013498	QUICK RELEASE MOUNT	1
26E	12390119	COMPRESSION SPRING	2
26F	12999028	STOP SLEEVE	2
26G	12544014	SCREW, PH	4
NS	11012751	CABLE, 68"	1
NS	11012752	CABLE, 48"	1
NS	6150382	INSTALLATION INSTRUCTIONS CPR	1

23

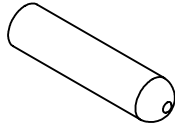


ITEM 23 39000935 End Cap 4 Components			
PART	PART #	DESCRIPTION	QTY.
23A	-	END CAP TUBE, 2" x 4"	4
NS	-	INSTALLATION INSTRUCTIONS, END CAP 2" x 4", BARI10A	1

"NS" = NOT SHOWN
"-" = INDIVIDUAL COMPONENTS NOT AVAILABLE

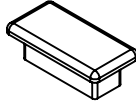
UPPER AND LOWER BED FRAME SERVICE COMPONENTS BARI10A

27



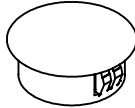
ITEM 27 39000939 CPR Handle Cap Components			
PART	PART #	DESCRIPTION	QTY.
27A	12470482	VINYL RED CAP, 3/8" ID x 2" LONG	2
NS	6150305	INSTALLATION INSTRUCTIONS, CPR HANDLE, BARI10A	1

28



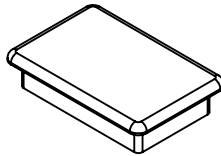
ITEM 28 39000933 End Cap 2 Components			
PART	PART #	DESCRIPTION	QTY.
28A	-	END CAP TUBE, 1" x 2"	14
NS	-	INSTALLATION INSTRUCTIONS, END CAP 1" x 2", BARI10A	1

29



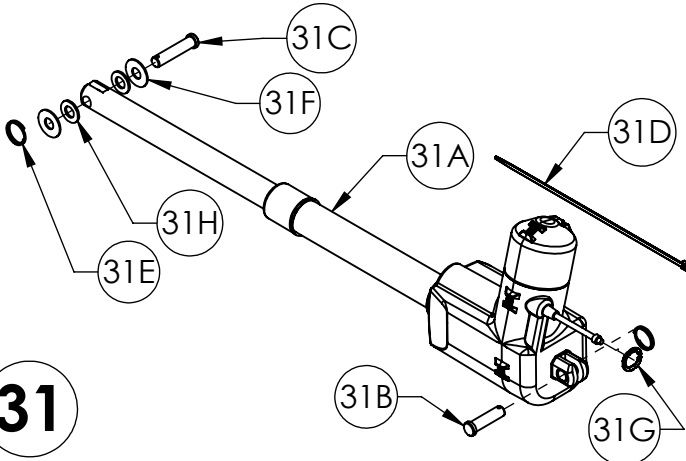
ITEM 29 39000938 Round Plug Components			
PART	PART #	DESCRIPTION	QTY.
29A	-	PRESS ON FITTING, BARI10A	1
NS	-	INSTALLATION INSTRUCTIONS, ROUND PLUG, BARI10A	1

30



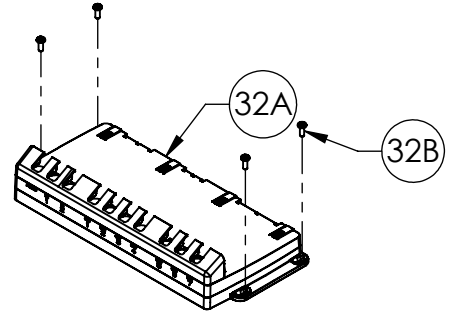
ITEM 30 39000934 End Cap 3 Components			
PART	PART #	DESCRIPTION	QTY.
30A	-	END CAP TUBE, 2" x 3"	4
NS	-	INSTALLATION INSTRUCTIONS, END CAP 2" x 3", BARI10A	1

31



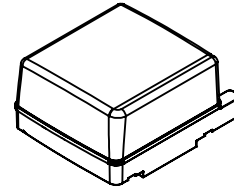
ITEM 31 39001120 Hi-Low Actuators Components			
PART	PART #	DESCRIPTION	QTY.
31A	11013566	ACTUATOR, LA-34, HI-LO	1
31B	11012238	PIN, SLEEP SURFACE PIVOT	1
31C	11012387	PIN, MOUNT	1
31D	12160281	TIE, CABLE	3
31E	12809807	RING, KICKOUT	2
31F	12849113	WASHER, FLAT	2
31G	12999049	LOCKING RING, MOTOR CABLE	1
31H	12845007	WASHER, STEEL	2
NS	6150386	INSTALLATION INSTRUCTIONS, BARI10A, ACTUATOR, HI-LOW	1

32



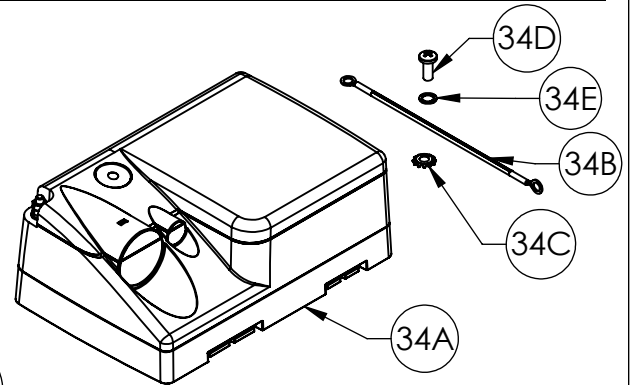
ITEM 32 39001131 Control Box Base Components			
PART	PART #	DESCRIPTION	QTY.
32A	-	CONTROLLER UNIT, CU20	1
32B	-	SCREW, #10-24 X 1/2 PPHTT BLK	4
NS	-	INSTALLATION INSTRUCTIONS, BARI10A, CONTROL SYSTEM	1

33



ITEM 33 11013559 Battery Components			
PART	PART #	DESCRIPTION	QTY.
33A	-	BATTERY, BA20	1

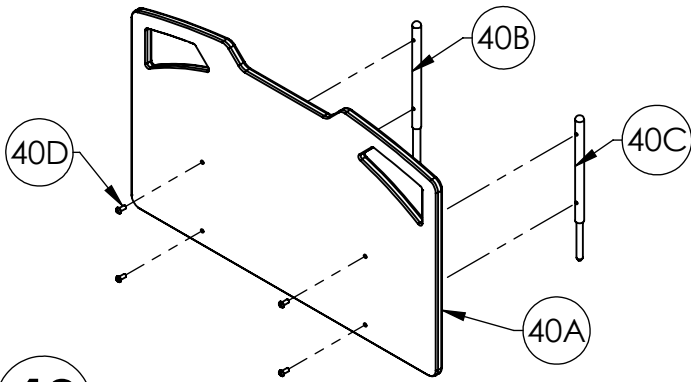
34



ITEM 34 39001123 Control Box Power Unit Components			
PART	PART #	DESCRIPTION	QTY.
34A	-	CONTROLLER POWER, CP20	1
34B	-	WIRE ASSEMBLY, 18AWG, GREEN/YELLOW	1
34C	-	WASHER, EXT TOOTH LOCK #10	1
34D	-	SCREW, #10-16 X 1/2" HWH TEK SCR	1
34E	-	WASHER, SPLIT LOCK, #10	1
NS	-	INSTALLATION INSTRUCTIONS, BARI10A, CONTROL SYSTEM	1

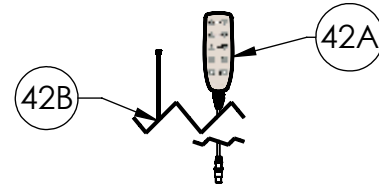
"NS" = NOT SHOWN
"-" = INDIVIDUAL COMPONENTS NOT AVAILABLE

UPPER AND LOWER BED FRAME SERVICE COMPONENTS BARI10A



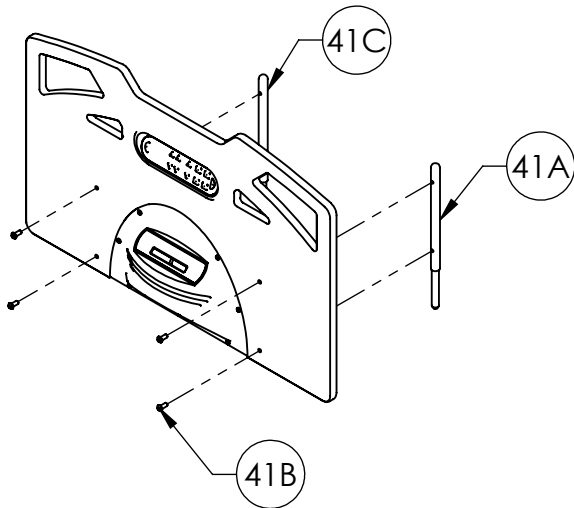
40

ITEM 40 39000921 Head Panel w/ Post Components			
PART	PART #	DESCRIPTION	QTY.
40A	11013509	HEAD PANEL W/POSTS	1
40B	11013507	HEADBOARD SUPPORT, LG, RD, RT	1
40C	11013508	HEADBOARD SUPPORT, SML, RD, LT	1
40D	12523776	BOLT, BH 5/16-18 x 3/4, SS	4
NS	6150296	INSTALLATION INSTRUCTION, HEAD PANEL, BARI10A	1



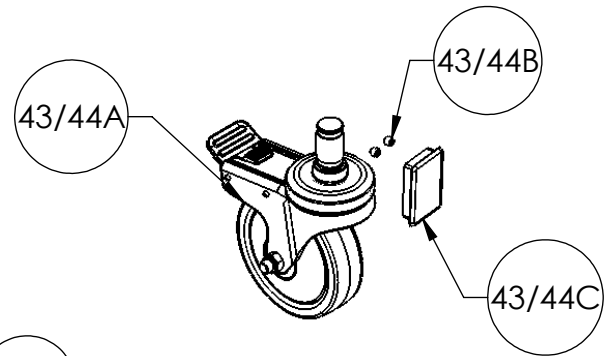
42

ITEM 42 39001124 Pendant Control Components			
PART	PART #	DESCRIPTION	QTY.
42A	-	PENDANT	1
42B	-	TIE, CABLE	5
NS	-	INSTALLATION INSTRUCTIONS, BARI10A, PENDANT	1



41

ITEM 41 39001119 Complete Foot Panel Components			
PART	PART #	DESCRIPTION	QTY.
41A	11013507	HEADBOARD SUPPORT, GF	1
41B	12523776	SCREW, BH, 5/16-18 X 3/4 LG	4
41C	11013508	HEADBOARD SUPPORT, SML	1
41D	-	WIRE TIE MOUNT	2
41E	-	SCREW, BH, 10-32X62 LG	7
41F	-	CIRCUIT BOARD, POWER CONDITIONING	1
41G	-	FOOT PANEL, BARI10A W/STAFF CONTROL	1
41H	-	COVER, SCALE DISPLAY	1
41I	-	ASSEMBLY, STAFF, FRONT	1
41J	-	SCREW, #6 X 3/8 PHIL PN HD SMS	4
41K	-	GROMMET, STAFF AND SCALE	1
41L	-	SCREW, TPHTF, 6-19 X 1/2"	10
41M	-	ASSEMBLY, SEAL COVER AND CABLE	1
41N	-	COVER, CABLE, STAFF CONTROL	1
41O	-	COVER, REAR, STAFF CONTROL	1
41P	-	BARI10A BED SCALE MEMBRANE	1
NS	-	SCREW, FH, PHILLIPS 6-32 X 3/8" ZINC/STL	2
NS	-	CORD, PANEL MOUNT	1
NS	-	ASSEMBLY, SCALE DISPLAY, BARI10A	1
NS	6150425	INSTALLATION INSTRUCTIONS, FOOT PANEL WITH STAFF	1



43

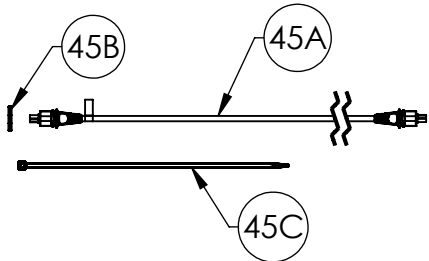
ITEM 43 39001312 Caster Components (Full Install)			
PART	PART #	DESCRIPTION	QTY.
43A	11014433	CASTER, 6" TOTAL LOCK	4
43B	12593109	SET SCREW 5/16-18 UNC X 3/8LG	8
43C	12470480	END CAP TUBE 2X3X 125	4
NS	12010060	LOCTITE® SMALL, B10A KITS	1
NS	6150380	INST. INSTALL, BARI10A CASTER	1

44

ITEM 44 39001313 Caster Components (Single Replacement)			
PART	PART #	DESCRIPTION	QTY.
44A	11014433	CASTER, 6" TOTAL LOCK	1
44B	12593109	SET SCREW 5/16-18 UNC X 3/8LG	2
44C	12470480	END CAP TUBE 2X3X 125	1
NS	12010060	LOCTITE® SMALL, B10A KITS	1
NS	6150380	INST. INSTALL, BARI10A CASTER	1

"NS" = NOT SHOWN
"-" = INDIVIDUAL COMPONENTS NOT AVAILABLE

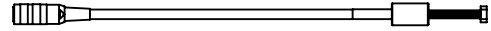
UPPER AND LOWER BED FRAME SERVICE COMPONENTS BARI10A



45

NOT SHOWN IN EXPLODED VIEWS (PAGE 1 OR PAGE 6)

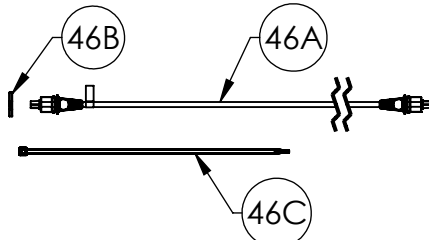
ITEM 45 39001132 Foot Hi-Lo Actuator Cable			
PART	PART #	DESCRIPTION	QTY.
45A	-	CABLE, MOTOR, FOOT	1
45B	-	LOCKING RING, MOTOR CABLE	1
45C	-	TIE-CABLE	10
NS	-	INSTALLATION INSTRUCTIONS, BARI10A, MOTOR CABLE	1



50

NOT SHOWN IN EXPLODED VIEWS (PAGE 1 OR PAGE 6)

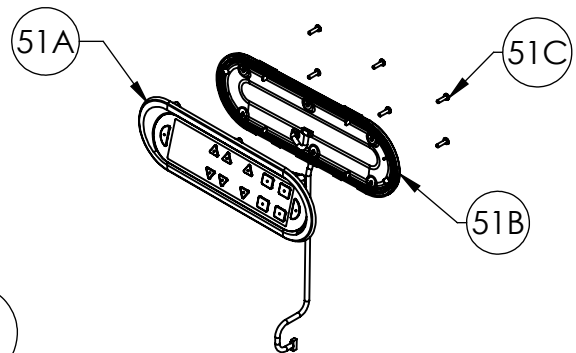
ITEM 50 39001127 Panel Mount Cable Components			
PART	PART #	DESCRIPTION	QTY.
50A	11013604	CORD, PANEL MOUNT	1
NS	12500027	SEALANT	1
NS	6150395	INSTALLATION INSTRUCTIONS, BARI10A, STAFF CONTROL	1



46

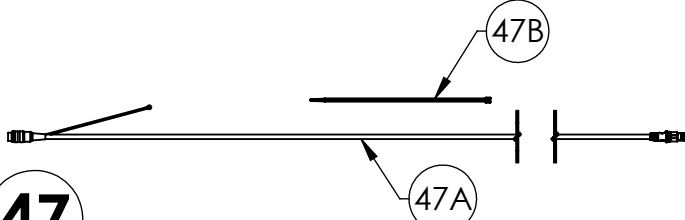
NOT SHOWN IN EXPLODED VIEWS (PAGE 1 OR PAGE 6)

ITEM 46 39001137 Head Hi-Lo Actuator Cable			
PART	PART #	DESCRIPTION	QTY.
46A	-	CABLE, MOTOR, HEAD	1
46B	-	LOCKING RING, MOTOR CABLE	1
46C	-	TIE, CABLE	10
NS	-	INSTALLATION INSTRUCTIONS, BARI10A, MOTOR CABLE	1



51

ITEM 51 39001128 Staff Control Components			
PART	PART #	DESCRIPTION	QTY.
51A	31009141	ASSEMBLY, STAFF, FRONT, ADV, SOFT TONE	1
51B	31009139	ASSEMBLY, SEAL COVER AND CABLE	1
51C	12551231	SCREW, #6-19 X 1/2 PHTFS TORX	10
NS	11013605	GROMMET, STAFF AND SCALE	1
NS	12500027	SEALANT	1
NS	6150395	INSTALLATION INSTRUCTIONS, BARI10A, STAFF CONTROL	1



47

NOT SHOWN IN EXPLODED VIEWS (PAGE 1 OR PAGE 6)

ITEM 47 39001138 Control Harness Components			
PART	PART #	DESCRIPTION	QTY.
47A	-	CONTROL CABLE A	1
47B	-	TIE, CABLE	13
NS	-	INSTALLATION INSTRUCTIONS, BARI10A CONTROL HARNESS	1

48

IMAGE NOT AVAILABLE

NOT SHOWN IN EXPLODED VIEWS (PAGE 1 OR PAGE 6)

ITEM 48 39001149 Scale Crossover Cable Components			
PART	PART #	DESCRIPTION	QTY.
48A	-	CABLE, CROSSOVER, SCALE	1
48B	-	TIE, CABLE	2

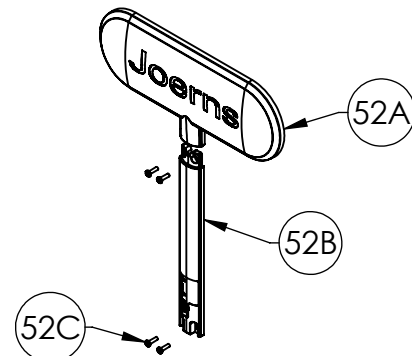
49

IMAGE NOT AVAILABLE

NOT SHOWN IN EXPLODED VIEWS (PAGE 1 OR PAGE 6)

ITEM 49 39001150 Scale System Connection Cable Components			
PART	PART #	DESCRIPTION	QTY.
49A	-	CABLE, CONNECTION, SCALE	1
49B	-	TIE, CABLE	6

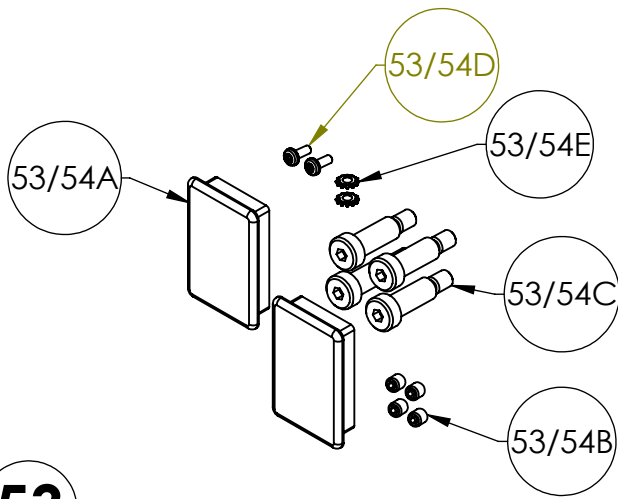
52



ITEM 52 39001129 Staff Control Cover Components			
PART	PART #	DESCRIPTION	QTY.
52A	11013614	COVER, REAR, STAFF CONTROL, SOFT TONE	1
52B	11013615	COVER, CABLE, STAFF CONTROL, SOFT TONE	1
52C	12551231	SCREW, #6-19 X 1/2 PHTFS TORX	4
NS	6150395	INSTALLATION INSTRUCTIONS, BARI10A, STAFF CONTROL	1

"NS" = NOT SHOWN
"-" = INDIVIDUAL COMPONENTS NOT AVAILABLE

UPPER AND LOWER BED FRAME SERVICE COMPONENTS BARI10A



53

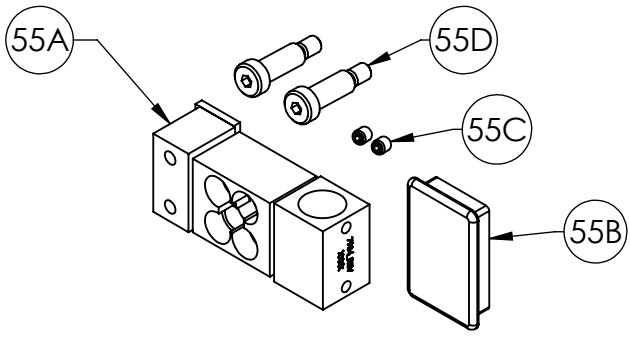
NOT SHOWN IN EXPLODED VIEWS (PAGE 1 OR PAGE 6)

ITEM 53 39001151 Right Side Scale Cable Components			
PART	PART #	DESCRIPTION	QTY.
53A	12470480	END CAP TUBE, 2" X 3" X .125"	2
53B	12593109	SET SCREW, 5/16-18 X 3/8"	4
53C	12523773	SHOULDER BOLT, 0.50 X 1.25	4
53D	12551009	SCREW, #10-24 X 1/2 PPHTFS	2
53E	12851001	WASHER, EXT. LOCK, #10	2
NS	11013791	ASSEMBLY, CABLE, LOAD CELL, RIGHT	1
NS	12010060	LOCTITE®, SMALL, B10A KITS	1
NS	6150415	INSTALLATION INSTRUCTIONS, SCALE CABLE	1

54

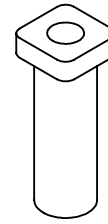
NOT SHOWN IN EXPLODED VIEWS (PAGE 1 OR PAGE 6)

ITEM 54 39001152 Left Side Scale Cable Components			
PART	PART #	DESCRIPTION	QTY.
54A	12470480	END CAP TUBE, 2" X 3" X .125"	2
54B	12593109	SET SCREW, 5/16-18 X 3/8"	4
54C	12523773	SHOULDER BOLT, 0.50 X 1.25	4
54D	12551009	SCREW, #10-24 X 1/2 PPHTFS	2
54E	12851001	WASHER, EXT. LOCK, #10	2
NS	11013792	ASSEMBLY, CABLE, LOAD CELL, LEFT	1
NS	12010060	LOCTITE®, SMALL, B10A KITS	1
NS	6150415	INSTALLATION INSTRUCTIONS, SCALE CABLE	1



55

ITEM 55 39001105 Load Cell Components			
PART	PART #	DESCRIPTION	QTY.
55A	11013761	LOAD CELL, SINGLE	1
55B	12470480	END CAP TUBE, 2" X 3" X .125"	1
55C	12593109	SET SCREW, 5/16-18 X 3/8"	2
55D	12523773	SHOULDER BOLT, 0.50 X 1.25"	2
NS	12010060	LOCTITE®, SMALL, B10A KITS	1
NS	6150408	INSTALLATION INSTRUCTIONS, BARI10A, LOAD CELL KIT	1



56

NOT SHOWN IN EXPLODED VIEWS (PAGE 1 OR PAGE 6)

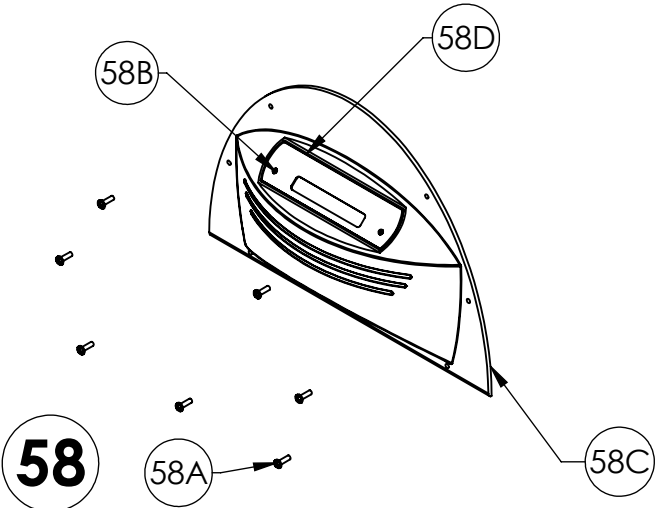
ITEM 56 39001017 IV Rod Components			
PART	PART #	DESCRIPTION	QTY.
56A	11013237	IV ROD HOLDER, BARI10A, 3/4"	1
NS	6150282	INSTALLATION INSTRUCTIONS, IV ROD, BARI10A	1

57

NOT SHOWN

NOT SHOWN IN EXPLODED VIEWS (PAGE 1 OR PAGE 6)

ITEM 57 Touch Up Paint			
PART	PART #	DESCRIPTION	QTY.
NS	18000235	TOUCH UP PAINT, SOFT TONE	1



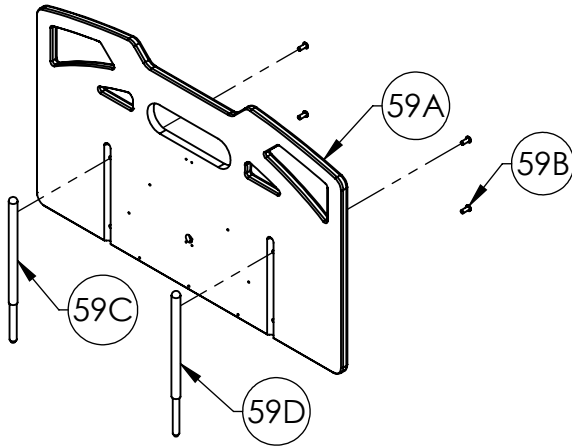
58

ITEM 58 39001125 Foot Panel Electronic Components			
PART	PART #	DESCRIPTION	QTY.
58A	12544016	SCREW, BH, 10-32X.62 LG	7
58B	-	SCREW, FH, PHILLIPS 6-32 X 3/8" ZINC/STL	2
58C	-	COVER, SCALE DISPLAY	1
58D	-	BARI10A BED SCALE MEMBRANE	1
NS	-	ASSEMBLY, SCALE DISPLAY, BARI10A	1
NS	12500027	SEALANT	1
NS	6150396	INSTALLATION INSTRUCTIONS, FOOT PANEL COMPONENTS	1

"NS" = NOT SHOWN

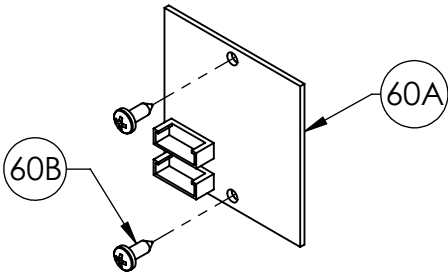
"-" = INDIVIDUAL COMPONENTS NOT AVAILABLE

UPPER AND LOWER BED FRAME
SERVICE COMPONENTS
BARI10A



59

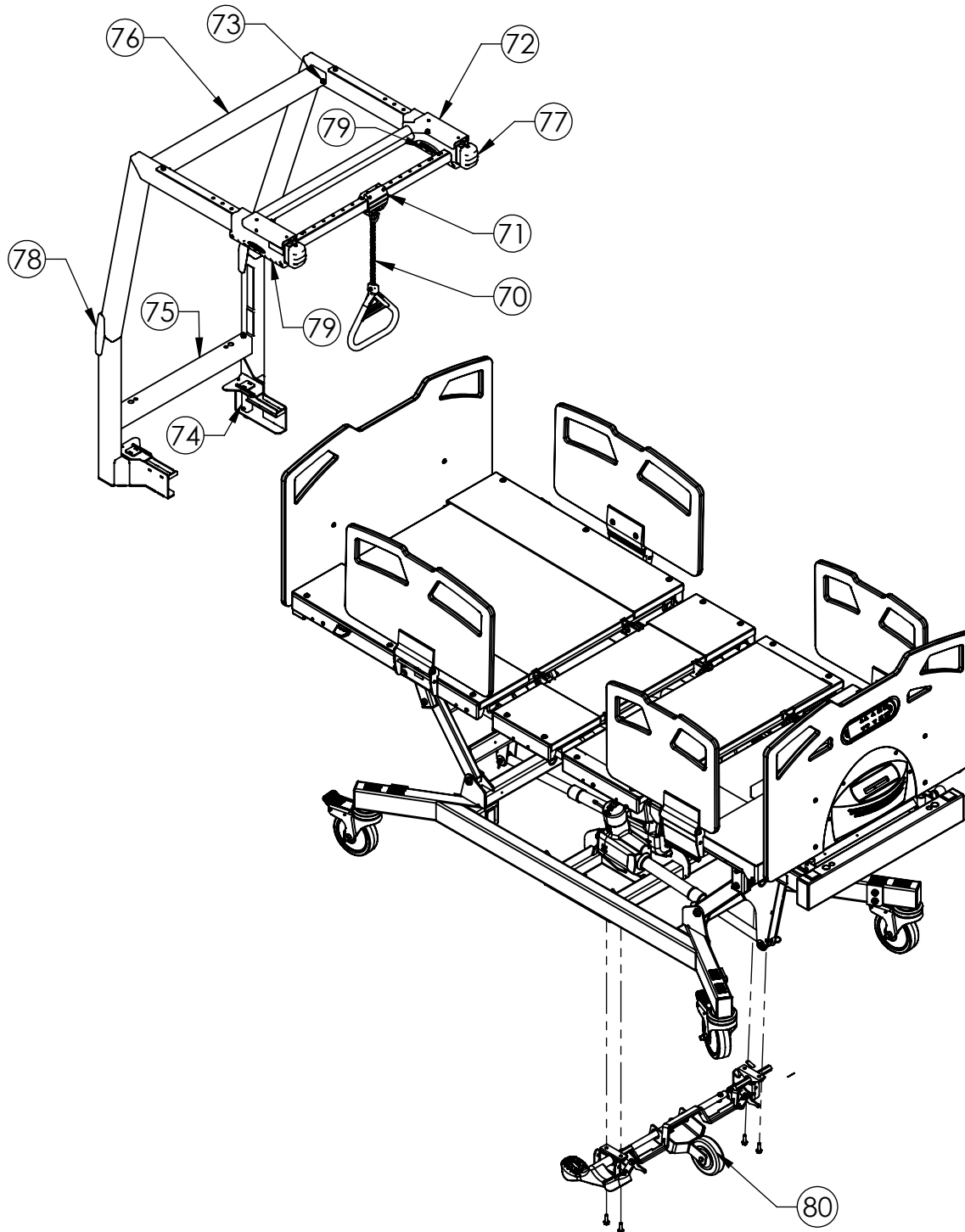
ITEM 59 39001126 Foot Panel Components			
PART	PART #	DESCRIPTION	QTY.
59A	11013609	FOOT PANEL, BARI10A, W/ STAFF CONTROL	1
59B	12523776	SCREW, BH, 5/16-18 X 3/4 LG	4
59C	11013507	HEADBOARD SUPPORT, LG	1
59D	11013508	HEADBOARD SUPPORT, SML	1
NS	12500027	SEALANT	1
NS	6150396	INSTALLATION INSTRUCTIONS, BARI10A, FOOT PANEL	1



60

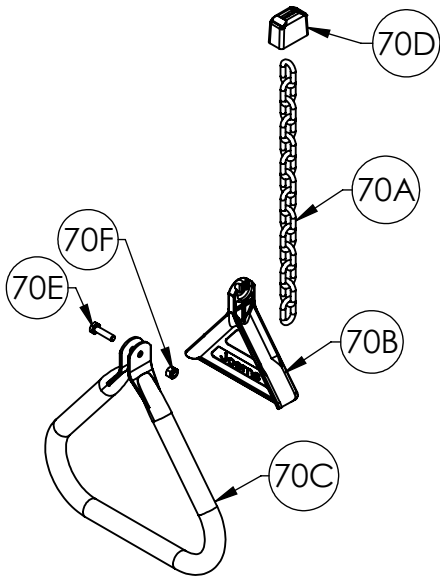
ITEM 60 39001148 Power Conditioning Board Components			
PART	PART #	DESCRIPTION	QTY.
60A	11013606	CIRCUIT BOARD, POWER CONDITIONING	1
60B	12570618	SCREW, #6 X 3/8 PHIL PN HD SMS	2
NS	12500027	SEALANT	1
NS	6150407	INSTALLATION INSTRUCTIONS, POWER CONDITIONING BOARD	1

PATIENT HELPER AND 5th WHEEL
SERVICE COMPONENTS
MODELS: BARI10A



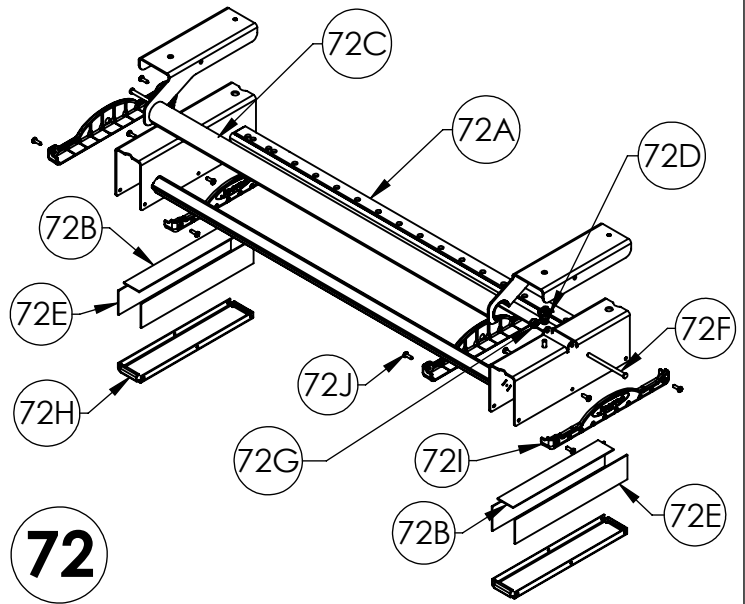
USE NUMBER BALLOONS ON THIS PAGE TO MATCH TO CORRESPONDING BILL OF MATERIALS ON THE FOLLOWING PAGES.

PATIENT HELPER AND 5th WHEEL SERVICE COMPONENTS BARI10A



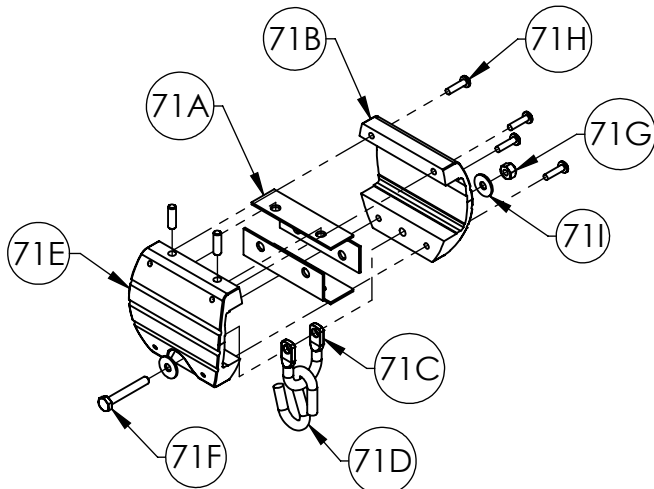
70

ITEM 70 39000952 Patient Helper Handle Components			
PART	PART #	DESCRIPTION	QTY.
70A	-	WELDED CHAIN, 800-lb CAP	1
70B	-	TRAPEZE HANDLE GUSSET	1
70C	-	HANDLE	1
70D	-	BOOT	1
70E	-	TRAPEZE INSERT BOLT 1/4-20 x 1 GRADE 5	1
70F	-	1/4-20 LOCK NUT	1



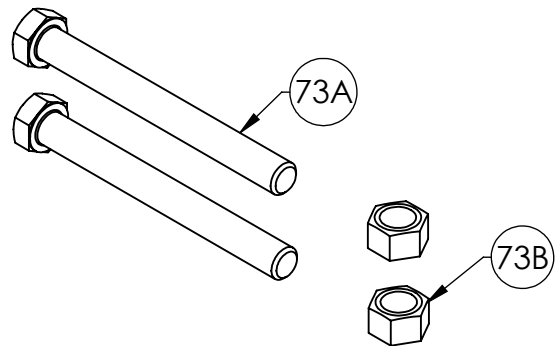
72

ITEM 72 39000954 Patient Helper Handle Carriage Assembly Components			
PART	PART #	DESCRIPTION	QTY.
72A	-	CROSS BAR WELDED ASSM	1
72B	-	SLIDER TOP STRIP	2
72C	-	ROCKER WELDED ASSM	1
72D	-	ROCKER SPRING	2
72E	-	SLIDER SLIDE STRIP	4
72F	-	ROCKER PIVOT PIN	2
72G	-	ROCKER PIVOT RIM RETAINER	2
72H	-	BOTTOM PLATE	2
72I	-	SLIDER BOTTOM CAP	4
72J	-	BOTTOM CAP FASTENER, #10-32 x 5/8" 6-LOBE PAN HD TRI-LOBE THRD FORMING SCREW, CLEAR ZINC	12



71

ITEM 71 39000953 Patient Helper Handle Slider Components			
PART	PART #	DESCRIPTION	QTY.
71A	-	HANDLE SLIDE STRIP	4
71B	-	HANDLE EXTR REAR MACHINED	1
71C	-	U-CLEVIS	1
71D	-	S-HOOK	1
71E	-	HANDLE EXTR. FRONT MACHINED	1
71F	-	CLEVIS BOLT 1/4-20 x 1 3/4 GRADE 5	1
71G	-	1/4-20 LOCKNUT	1
71H	-	310-32 x 3/4" 6-LOBE PAN HD MACH SCREW	4
71I	-	WASHER, NYLON 3/4 X .260 X .06	4

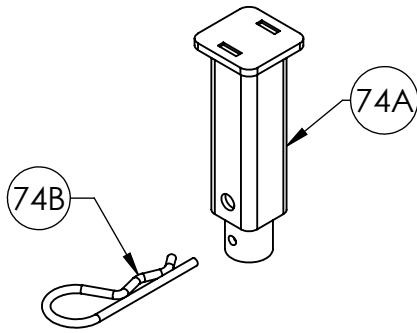


73

ITEM 73 39000955 Patient Helper Stretcher Bolt Components			
PART	PART #	DESCRIPTION	QTY.
73A	-	REAR STRETCHER BOLT, 3/8-16 x 3 1/2" GRADE 5	2
73B	-	NYLON INSERT LOCKNUT, 3/8-16 UNC	2

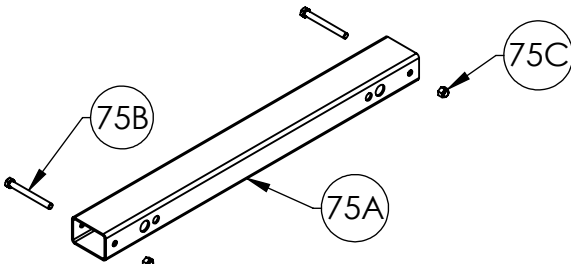
PATIENT HELPER AND 5th WHEEL SERVICE COMPONENTS BARI10A

74



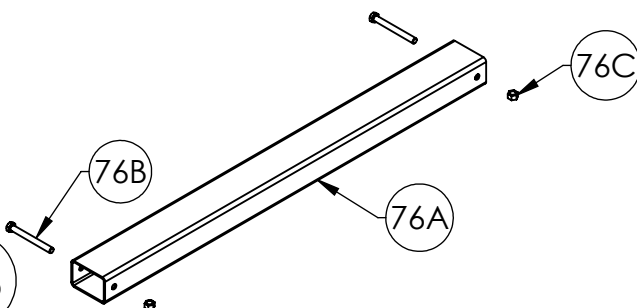
ITEM 74 39000956 Patient Helper Frame Pin Components			
PART	PART #	DESCRIPTION	QTY.
74A	-	PIN WELDMENT	1
74B	-	PIN WELDMENT FASTENER, HAIRPIN CLIP	1

75



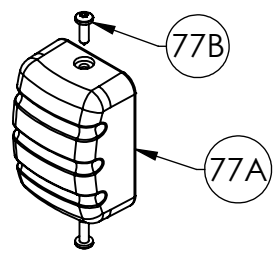
ITEM 75 39000957 Patient Helper Lower Stretcher Components			
PART	PART #	DESCRIPTION	QTY.
75A	-	LOWER STRETCHER	1
75B	-	REAR STRETCHER BOLT, 3/8-16 x 3 1/2" GRADE 5	2
75C	-	NYLON INSERT LOCKNUT, 3/8-16 UNC	2

76



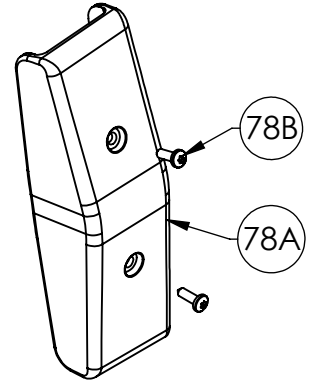
ITEM 76 39000958 Patient Helper Upper Stretcher Components			
PART	PART #	DESCRIPTION	QTY.
76A	-	REAR STRETCHER	1
76B	-	REAR STRETCHER BOLT, 3/8-16 x 3 1/2" GRADE 5	2
76C	-	NYLON INSERT LOCKNUT, 3/8-16 UNC	2

77



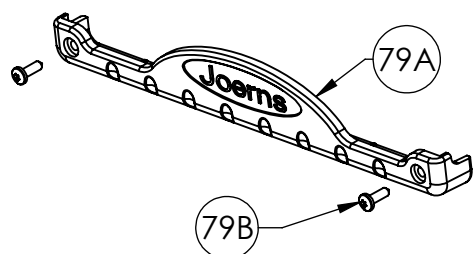
ITEM 77 39000959 Patient Helper Frame End Cap Components			
PART	PART #	DESCRIPTION	QTY.
77A	-	TUBE END CAP	1
77B	-	BOTTOM CAP FASTENER, #10-32 x 5/8" 6-LOBE PAN HD TRI-LOBE THRD FORMING SCREW, CLEAR ZINC	2

78



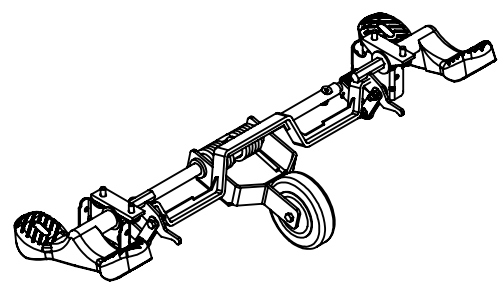
ITEM 78 39000960 Patient Helper Angle Cap Components			
PART	PART #	DESCRIPTION	QTY.
78A	-	FRAME ANGLE CAP	1
78B	-	BOTTOM CAP FASTENER, #10-32 x 5/8" 6-LOBE PAN HD TRI-LOBE THRD FORMING SCREW, CLEAR ZINC	2

79



ITEM 79 39000961 Patient Helper Slider Cap Components			
PART	PART #	DESCRIPTION	QTY.
79A	-	SLIDER BOTTOM CAP	1
79B	-	BOTTOM CAP FASTENER #10-32 x 5/8" 6-LOBE PAN HD TRI-LOBE THRD FORMING SCREW, CLEAR ZINC	2

80



ITEM 80 N175 5th Wheel Assembly/Components			
PART	PART #	DESCRIPTION	QTY.
80A	-	ASSM, 5TH WHEEL	1
NS	-	LABEL, 5TH WHEEL ACTIVATION, RIGHT	1
NS	-	LABEL, SCALE ACCURACY, WARNING	1
NS	-	LABEL, 5TH WHEEL ACTIVATION, LEFT	1
NS	-	USER MANUAL	1

Notes:

Post Acute, Acute, HomeCare
2430 Whitehall Park Dr. Ste 100
Charlotte, NC 28273
(P) 800.826.0270
(F) 800.457.8827

VA/Government
19748 Dearborn Street
Chatsworth, CA 91311
(P) 800.966.6662
(F) 800.232.9796

Canadian Office
1000 Clarke Rd. Ste 6
London, ON Canada N5V 3A9
(P) 866.546.1151
(F) 519.451.8662

**United Kingdom and
Other Countries**
+44 (0)844 811 1156
+44 (0)844 811 1157

Netherlands
+31 (0)30 6363700
+31 (0)30 6363799