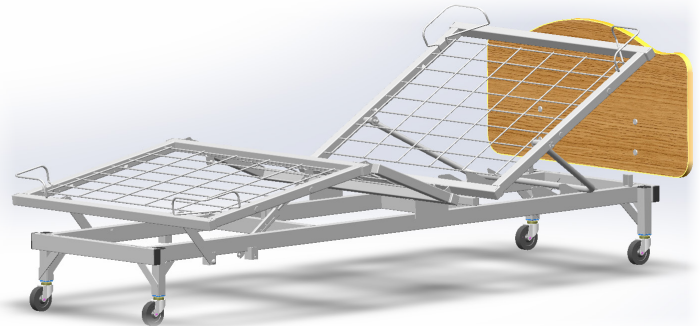


Responding to Your Recovery Needs

Built on Joerns reliability, the WeCare Response Bed answers the call of initial responders to meet the healthcare needs in all care settings.

The WeCare Response Bed features adjustable head and knee sections to enhance comfort and support key respiratory care. The low height supports ergonomic patient egress during recovery. The full range of side assists offer reminders for the edge of bed and hand holds for independent repositioning.

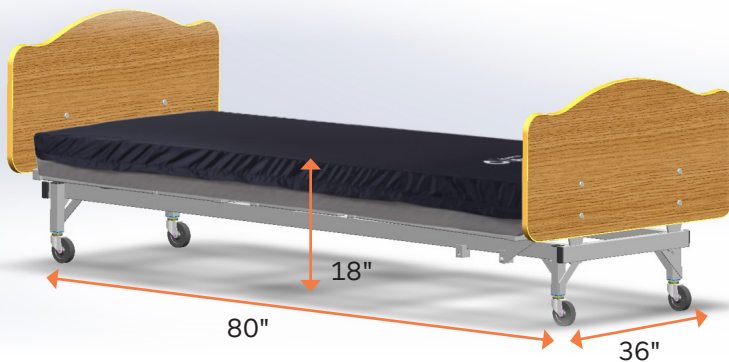


Adjustable to comfort and key respiratory positions 30°, 45°, 60°

Key Features

- ◊ Safe working load: 450 lb
- ◊ Overall frame dimensions: 80" x 36" x 12"
- ◊ Standard 80" x 35" sleep surface
- ◊ Adjustable head section: 30°, 45°, 60°
- ◊ Adjustable knee section for comfort and care
- ◊ Ergonomic transfer height 12" without surface
- ◊ Wheeled mobility
- ◊ Caster locks for security
- ◊ Removable end panels (optional)
- ◊ 4 IV rod locations

Response Package



- ◊ 6" Foam Mattress
- ◊ Choice of Assist Device
- ◊ With or without panels
- ◊ IV Rod

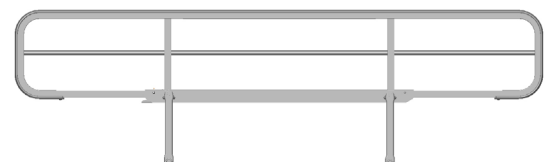
Assist Device Options



F14 Assist Device



F025 Assist Handle



F168 Assist Device (requires N832AL mount)

**The WeCare Response Bed is fully compliant with entrapment guidelines.*