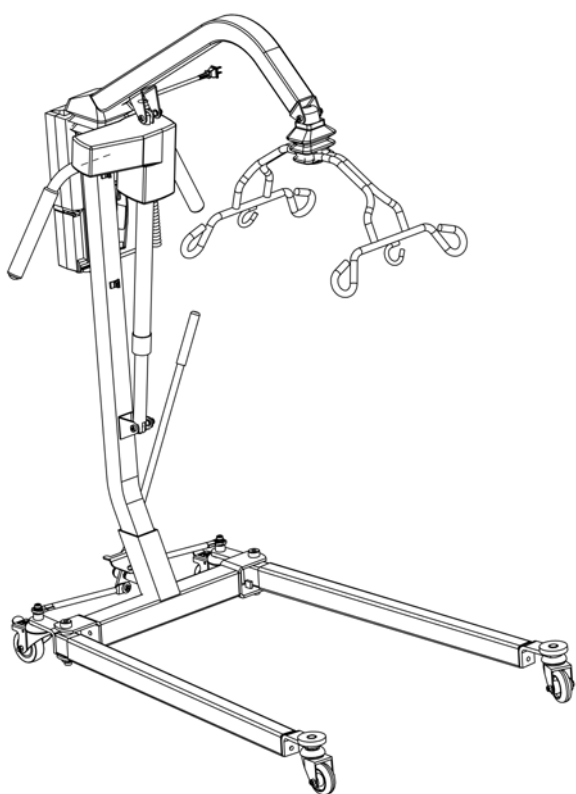


Parts Manual

Hoyer® HPL 402



Hoyer®

HPL 402

NO	PART NUMBER	DESCRIPTION
Handles/Grips:		
1	500-7103	GRIP, VINYL (BLACK)
2	400-6501	GRIP, FOAM, 1" I D x 8 1/2, HPL402
3	12470472	CAP, PLASTIC, 1IN ROUND
Cradle:		
4	222-6503	KIT, CRADLE, COMPLETE, HPL402
Leg Spreader:		
5	222-6011	KIT, SPREADER ASSY, HME
6	222-6008	KIT, SPRDR HNDL, HME
Control System/Actuator:		
N/S	222-6002	KIT, HDWR, JACK/BOOM, HME
7	400-3016	CABLEPOWER (CNTRL BOX) LINAK HME
8	400-3003	BATTERY, 24V, BOX LINAK HME
9	400-3005	CONTROLLER BX LINAK HM CHARGR
10	11015531	PENDANT, HB-30 1 CHANNEL, INTERNAL MAGNET
11	400-3404	ACTUATOR JACK LINAK HME
12	400-3007	BRACKET MTG (CNTRL BOX) LINAK ME LMBJ2
N/S	HPL-CH	KIT, CHARGER FOR LINAK
Boom:		
13	222-6501	KIT, BOOM & HDWR, HPL402
Casters:		
14	222-6505	KIT, CSTR, FRNT w/o BRAKE, HPL402 (x1)
15	222-6507	KIT, CASTER, REAR, HPL402 (x2)
Scale:		
N/S	59011A	SCALE, DIGITAL, CRANK/HYD.

