

# OXFORD | HOYER

*Oxford®/Hoyer® Ascend*

Safe working load:  
170kgs/375Lbs Patient Lift

*User*

*Instruction  
Manual &  
Warranty*

*Oxford®/Hoyer® Ascend*

Charge maximale d'utilisation :  
Lève-personne 170kg/375lb

*Manuel de  
l'utilisateur  
et garantie*

*Oxford®/Hoyer® Ascend*

Carga de trabajo segura:  
Elevador para pacientes  
de hasta 170 kg

*Manual de  
Instrucciones y  
Garantía para  
el Usuario*

*Oxford®/Hoyer® Ascend*

Zulässige Betriebslast:  
170-kg-Patientenlifter

*Benutzerhandbuch  
und Garantie*

## MANUFACTURER'S CONTACT DETAILS



### EUROPE

#### Sunrise Medical Ltd

High Street, Wollaston, Stourbridge,  
West Midlands  
DY84PS UK  
+44 (0) 1384 44 66 22  
Fax: +44 (0) 1384 44 66 44  
[www.sunrisemedical.co.uk](http://www.sunrisemedical.co.uk)



### USA

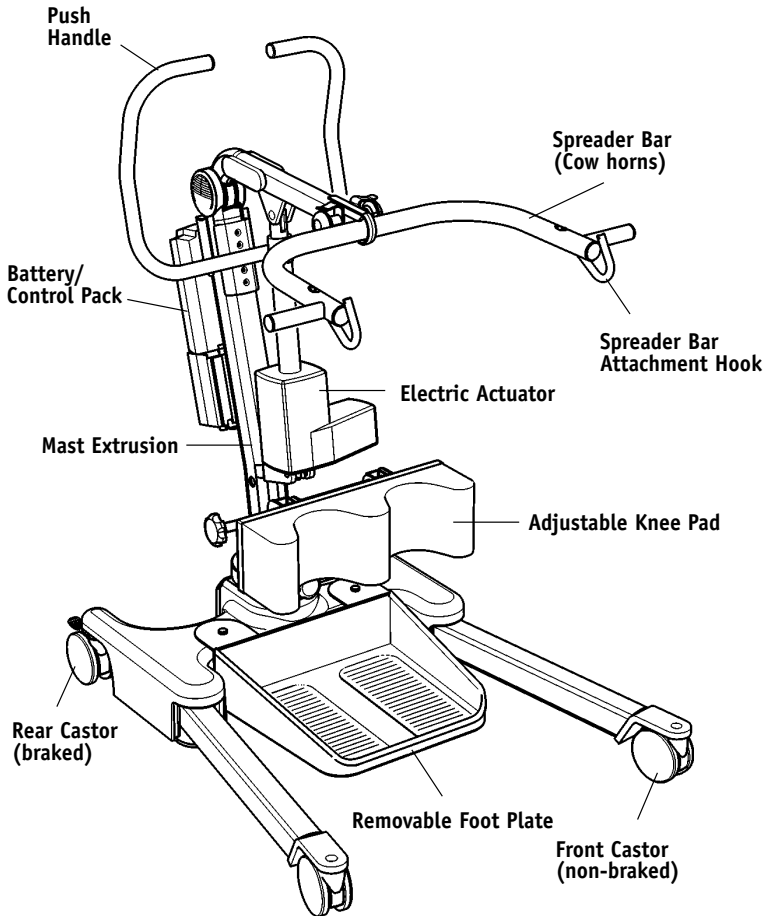
#### Sunrise Medical, Inc

5001 Joerns Drive  
Stevens Point, WI 54481-5040  
715-341-3600  
800-826-0270 (toll free)  
[www.sunrisemedical.com](http://www.sunrisemedical.com)

## CONTENTS

1. Oxford/Hoyer Ascend Patient Lift .....	3
2. Introduction: About Your Lift .....	4
3. Assembly and Commissioning Instructions .....	5
4. Sling Guide .....	9
5. Lifting with the Oxford/Hoyer Ascend .....	10
6. Safety Precautions .....	11
7. Operating instructions .....	13
8. Charging instructions .....	15
9. Maintenance schedule & Daily check list .....	17
10. Technical Specifications .....	19
11. Warranty .....	21

## 1. THE OXFORD/HOYER ASCEND PATIENT LIFT



## 2. INTRODUCTION: ABOUT YOUR LIFT

The Oxford/Hoyer Ascend is an electrically operated patient lift. Each Ascend lift is fully assembled load tested and certified before being packed/shipped.

The packing consists of a strong, purpose built carton that is used for both export and domestic markets to ensure the safe arrival of the lift.

A number of documents are supplied in a wallet, and packed with each lift and should be kept safely for future reference.

- TEST CERTIFICATE
- USER MANUAL
- DEALER GUARANTEE CARD (Europe only)
- CUSTOMER SATISFACTION CARD (Europe only)
- PACKING CHECK LIST

The TEST CERTIFICATE is an important document and will be required for your insurance records. It is valid for six months and after it has expired the lift should be inspected and serviced per the maintenance schedule.

Servicing and periodic testing can be carried out by your authorised supplier. Please ensure your lift is included in their maintenance schedule. If you are at all unsure what your local market servicing requirements are, please check with your dealer and/or a local government agency.

The Oxford/Hoyer Ascend is suitable for the following CATEGORIES of lift within the working parameters of the lifts specified in the TECHNICAL SPECIFICATIONS.

- Category A - Wheelchair
- Category D - Toilet/Shower Chair

### The CE mark:



The Oxford/Hoyer Ascend carries the CE mark and complies with the following EC directives:

- Medical Device Directive (93/42/EEC)
- EMC Directive (89/336/EEC)
- Low Voltage Directive (73/23/EEC)

### 3. ASSEMBLY AND COMMISSIONING INSTRUCTIONS

#### CARTON CONTENTS

Place the carton in a clear working area and open carefully. The carton contains:

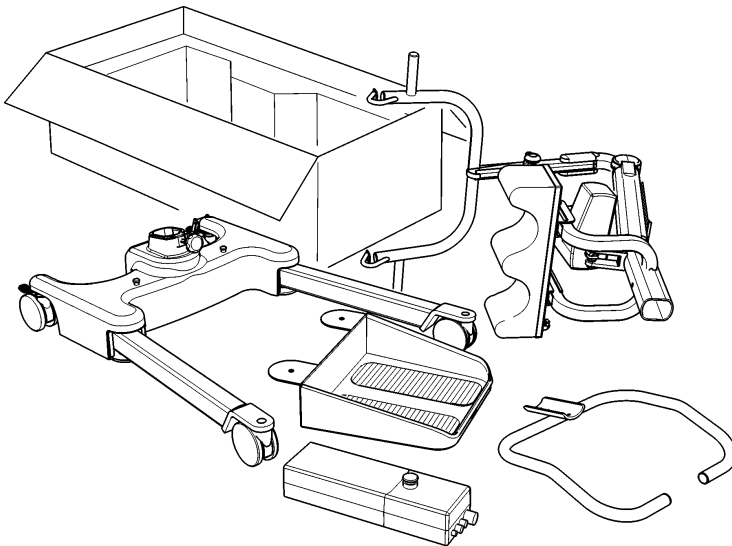
- OXFORD/HOYER ASCEND LIFT
- WALLET CONTAINING DOCUMENTS
- HAND CONTROL
- BATTERY PACK
- CHARGING LEAD
- DESK TOP CHARGER/STAND

#### **▲ WARNING**

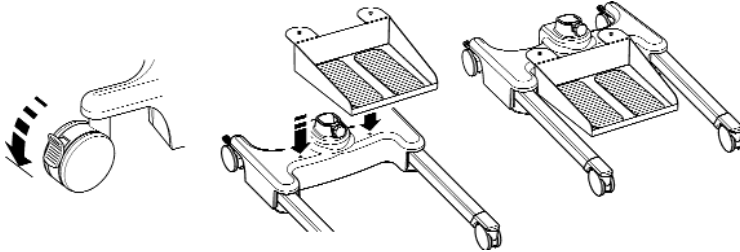
**The Oxford/Hoyer Ascend is heavy and will need to be lifted with care. You may need assistance to lift the Oxford/Hoyer Ascend from the carton.**

#### ASSEMBLY

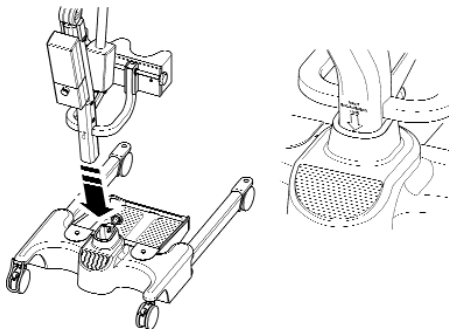
Remove all the parts from the carton and place on the floor, taking care to protect the finish from damage.



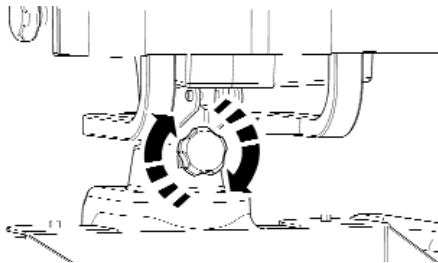
1. Place the chassis in a clear space and apply the rear brakes. Attach the foot tray to the base using the location holes positioned on the base casting.



2. Fit the mast and boom assembly into the chassis socket.



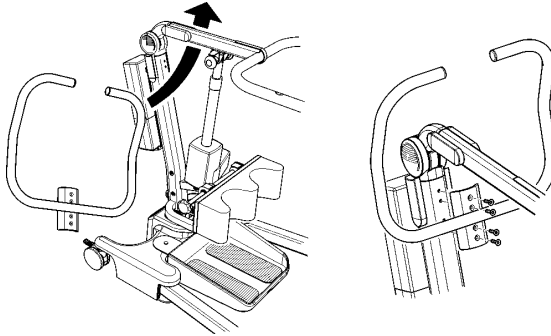
3. Tighten the mast assembly with the mast-locking device, which is located at the front of the chassis.



### **⚠ WARNING**

**Avoid trapping fingers. Keep fingers away from the end of the mast when inserting into the chassis socket. Full engagement of the mast is indicated by the label on the side of the mast. The electric leg operation will not function unless the mast is fully engaged.**

4. Turn the locking knob until hand tight.
5. Line the handle assembly up to the mast, and attach using the fixings provided. The fixings and wrench needed to attached the handle are kept in the user instruction wallet for safe keeping.



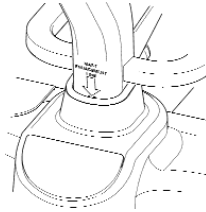
6. Fit power pack to the lift and make sure the latch holding the pack in place is fully engaged. "Click" in place.

## DISASSEMBLY

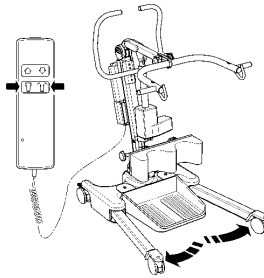
The lift should not be disassembled unless for service, repair or transport if necessary. Therefore follow the assembly instructions in reverse sequence.

### ALWAYS CHECK THE FOLLOWING BEFORE OPERATION

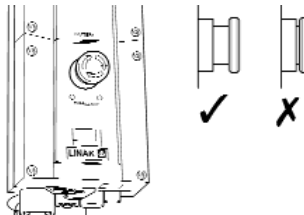
- The mast is fully locked into position.



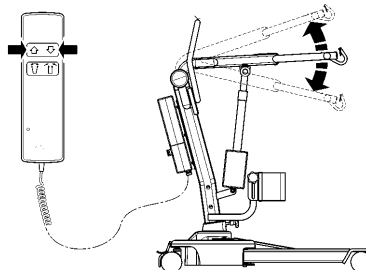
- The legs of the lift open and close satisfactorily (This is done via the hand control).



- The red emergency stop button, located on the rear of the control box, is in the OFF (out) position.



- Push the up and down buttons on the hand control and confirm the boom rises and lowers.



## 4. SLING GUIDE

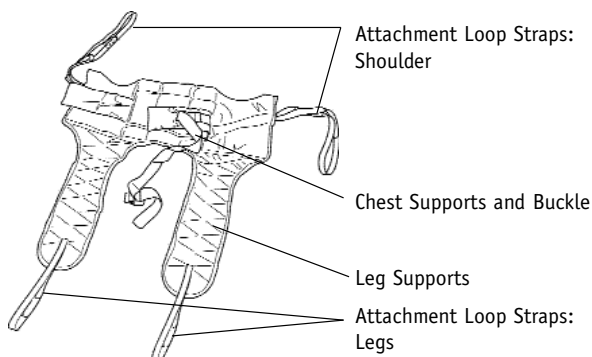
The Oxford/Hoyer Ascend is suitable for patients in the SITTING, SITTING/RECUMBENT and RECUMBENT positions. The slings suitable for this device are listed as follows:

- \* Oxford/Hoyer Transport sling
- \* Oxford/Hoyer Standing sling

### USER GUIDE FOR STANDAID SLINGS

The Transport and Standing sling is an easy fit sling, suitable for standing and supporting. It is not a general purpose sling and patients must be assessed for suitability by a qualified person.

#### Transport Sling



Feed the sling down the back of the patient leaving the top of the commode aperture at the base of the spine. Check the roll part of the sling is square across the patient's back.

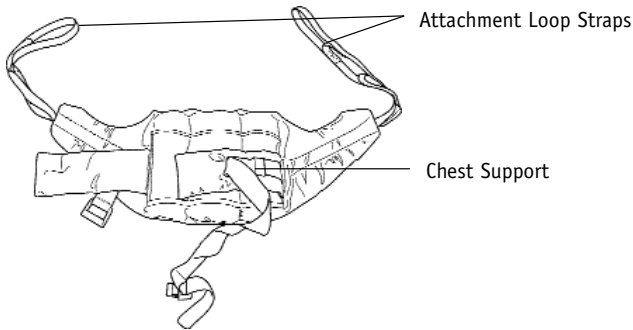
Attach the support strap around the chest of the patient. This strap need not be tight. It is there to hold the sling in position whilst attaching the loops to the Standaid. It may be left off altogether if preferred. Ensure patient's arms are on the outside of the sling.

Raise the patient's leg and feed the leg strap under and up between the legs. Ensure the sling is not twisted or creased under the thigh. Repeat this procedure for the other leg. Attach the loops on the roll parts of the sling to the white hooks at the end of the hand grips.

Without crossing the loops on the leg straps, attach to left and right black knobs on the lifting fork. You would normally use the middle of the three loops. The patient is now ready to be raised from the seat. Once clear of the seat, the patient will be more comfortable if lowered back in to the sitting position.

Sunrise Medical recommends slings are checked regularly and before use for fraying or damage. Do not use slings that are worn or damaged.

### Standing Sling



Place the sling down behind patient's back between base of shoulder blades and bottom of rib cage. Attach the support straps around the front of the patient. This strap need not be tight. It is there to hold the sling in position whilst attaching the sling to the Standaid. It may be left off altogether if preferred. Ensure that the patient's arms are outside the sling.

### **⚠ WARNING**

**Oxford/Hoyer slings and lifters are not interchangeable with other manufactures products. Using other manufactures products on Oxford/Hoyer products is unsafe and may result in serious injury to patient / or caregiver.**

## 5. LIFTING WITH THE OXFORD/HOYER ASCEND

Position Standaid so that the patient's feet fit in the foot tray and knees rest against the knee pad. Initially attach the longer loops of the sling to the grey hooks at the end of the Standaid hand grips. The patient's hands should be placed on the hand-grips. (Once the patient is used to the lift the shorter loops may be used to achieve a more upright position). Then push UP button on handcontrol to raise the patient to the standing position.

## 6. SAFETY PRECAUTIONS

Please read and follow the safety precautions listed below. The operation and use of Oxford/Hoyer patient lifts is simple and straightforward. Following these few basic safety precautions will make lifting operations easy and trouble free.

### READ AND UNDERSTAND THE USER INSTRUCTION MANUAL BEFORE USING YOUR "ASCEND"

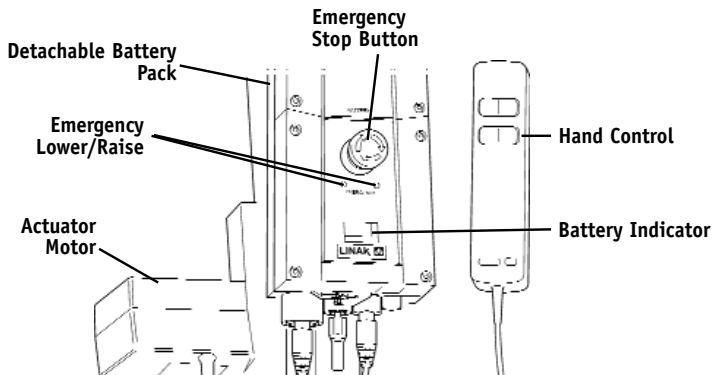
#### WARNING

- **ALWAYS** plan your lifting operations before commencing.
- **ALWAYS** carry out the DAILY CHECK LIST before using the lift.
- **ALWAYS** familiarise yourself with the operating control and safety features of a lift before lifting a patient.
- **DO NOT** use a sling unless it is recommended for use with the lift.
- **ALWAYS** check the sling is suitable for the particular patient and is of the correct size and capacity.
- **NEVER** use a sling which is frayed or damaged.
- **ALWAYS** fit the sling according to the instructions provided (user instructions).
- **DO NOT** exceed the safe working load.
- **ALWAYS** check the safe working load of the lift is suitable for the weight of the patient.
- **ALWAYS** carry out lifting operations according to the instructions in the user manual.
- **NEVER** disconnect or bypass a control or safety feature because it seems easier to operate the lift.
- **DO NOT** lift a patient with the castor brakes on. Always let the lift find the correct centre of gravity.
- **DO NOT** attempt to manoeuvre the lift by pushing on the mast, boom or patient.
- **ALWAYS** manoeuvre the lift with the handle / foot push pad provided.
- **ALWAYS** lower the patient to the lowest comfortable position before transfers.
- **DO NOT** push a loaded lift at speeds which exceed a slow walking pace (3 Km/hour 0.8 metres/second).

- **DO NOT** push the lift over uneven or rough ground. Particularly if loaded.
- **DO NOT** attempt to push/pull a loaded lift over a floor obstruction.
- **NEVER** force an operating/safety control. All controls are easy to use and do not require excessive force.
- **DO NOT** park a loaded lift on ANY sloping surface.
- **DO NOT** use electric lifts in a shower.
- **DO NOT** charge an electric lift in a bathroom or shower room.
- **DO NOT** lift a patient unless you are trained and competent to do so.
- YOUR lift is for patient lifting. **DO NOT** use it, or allow it to be used, for any other purpose.
- **DO NOT** bump the lift down steps, loaded or unloaded.
- **DO NOT** attempt to negotiate a loaded lift on a slope which exceeds 1:12 (approximately 5 degrees).
- **DO NOT** attempt to negotiate a slope without a second helper being present.
- **DO NOT** use in a wet or corrosive environment such as poolside locations.

## 7. OPERATING INSTRUCTIONS

### OPERATING CONTROLS



#### 1. Leg adjustment

The legs on the Oxford/Hoyer Ascend are electrically adjustable for width. The legs can be opened to enable access around armchairs or wheelchairs. For transferring and negotiating narrow doorways and passages the lift legs should be in the closed position.

Electric leg adjustment - is achieved by pressing the appropriate buttons on the hand-control. The legs will be locked whenever the handcontrol switch is released.

#### 2. Castors and Braking

The lift has two braked castors which can be applied for parking. When lifting, the castors should be left free and un-braked. The lift will then be able to move to the centre of gravity of the lift. If the brakes are applied it is the patient that will swing to the centre of gravity and this may prove disconcerting and uncomfortable.

#### 3. Raising and lowering the boom

The movement of the boom is achieved by a powerful electric actuator, which is controlled by a simple handcontrol unit. The handcontrol has two buttons with directional arrows UP and DOWN  $\uparrow\downarrow$ . The actuator stops automatically at the limit of travel in both directions. The handcontrol plugs into a socket at the base of the control box.

#### **4. Emergency Stop**

The red Emergency Stop Button is located on the front of the control box and is activated by pressing in. This will cut all power to the lift and only be reset by twisting the button anticlockwise and releasing.

#### **5. Electrical Emergency Down/Up**

Emergency lower (down) and raise (up) buttons are provided at the front of the control box. This is operated by inserting a ballpoint pen into the button highlighted ↑↓. This will bring the boom up or down should the handcontrol fail at any time.

#### **6. Mechanical Emergency Down**

In the case of a complete electrical failure the electrical actuator is fitted with mechanical lowering device (RED BOSS). This will only operate when the lift is under load. The device must be pulled upwards to activate, and a slow decent will commence.

#### **7. Batteries**

The batteries are protected from deep discharge by a LOW VOLTAGE ALARM. This will sound when the batteries need recharging and the handcontrol is being operated. It will not sound independently of the handcontrol being operated. DO NOT IGNORE THIS WARNING ALARM. Complete the lifting operation and place the battery on charge (see charging instructions).

#### **8. Slings**

The Oxford/Hoyer Ascend is suitable for patients in the SITTING, SITTING/RECUMBENT and RECUMBENT positions. The slings suitable for this device are listed as follows:

- \* Oxford/Hoyer Transport sling
- \* Oxford/Hoyer Standing sling

#### **9. Knee pad adjustment**

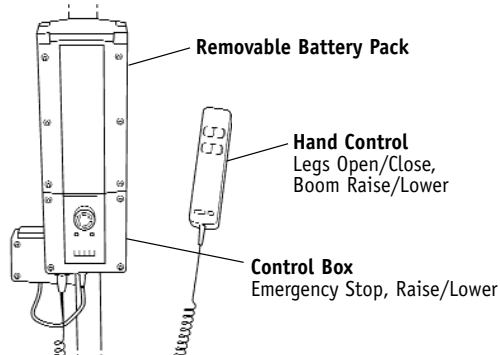
The Ascend has an adjustable kneepad. The range of travel is 6 inches. Adjustment is achieved by loosening the knob located on the left hand side of the pad, so to loosen the assembly enough to move the knee pad in either the upward, or downward position.

#### **10. Removable footplate**

The Ascend has a removable footplate. To remove the foot plate, move to the front of the product, and lift the footplate upward from the middle of the assemble. NOTE Be careful when lifting the footplate from its low-seated position.

## 8. CHARGING INSTRUCTIONS

The batteries are located in the power pack and are charged via an off board desktop charger unit.



When the power pack needs charging it is removed from the lift and fitted to an off board charging unit.

Sunrise Medical Ltd recommend an additional battery pack is purchased, so that one pack can be on charge at all times.

1. Remove the power pack from the lift. The pack is retained by a simple latch at the top of the power pack. Lift the latch and the power pack will be released.
2. Fit the power pack to the charging unit. The location and latching of the power pack to the charger is the same system as used on the lift.
3. Plug the charger mains plug into a suitable mains outlet and switch the mains supply ON.
4. Charging is automatic and will fully charge the batteries over a period of eight to twelve hours. Note: Even if the charger is left plugged in for extended periods it will not allow the batteries to overcharge.
5. To return the lift to service, switch OFF the mains supply and remove the power pack from the charger. Fit the power pack to the lift and make sure the latch holding the pack in place is fully engaged. "Click" in place. The charging of Oxford/Hoyer electric lifts is simple and straightforward, but it is important to follow the charging instructions closely. Please pay particular attention to the following points, they will help you avoid problems with discharged batteries.

**⚠ WARNING**

**KEEP** the batteries fully charged. Place the battery on charge whenever it is not in use. If it is more convenient to do so, place on charge every night. The charger will not allow the batteries to overcharge.

**⚠ WARNING**

**NEVER** run the batteries completely flat. As soon as the audible warning sounds, complete the lifting operation in hand and place on charge.

**⚠ WARNING**

**NEVER** store the power pack for long periods without regular charging throughout the storage period.

**⚠ WARNING**

**ALWAYS** make sure the mains power to the charger is switched off before connecting or disconnecting the power pack.

**⚠ WARNING**

**NEVER** leave the power pack plugged in to the charger with the mains power off.

**⚠ WARNING**

**Do not** charge an electric lift in a bathroom or shower room.

## 9. MAINTENANCE SCHEDULE & DAILY CHECK LIST

All Oxford/Hoyer products are designed for minimum maintenance, however some safety checks and procedures are required. A schedule of DAILY tasks are detailed below. Daily checks and a six monthly service, inspection and test will ensure a lift is kept in optimum safe working condition. A list of spare parts is available upon request.

The **LOAD TEST** and certification should only be carried out by qualified personnel or an authorised service agent / dealer.

**DAILY CHECK LIST:** Sunrise Medical strongly recommends the following checks be carried out on a daily basis and before using lift.

- MAKE sure the lift moves freely on its castors.
- EXAMINE the spreader bar (cow horns) is firmly attached to the boom.
- EXAMINE the sling hooks and attachment clips on the spreader bar and boom for excessive wear.
- MAKE sure the legs open and close correctly.
- OPERATE the hand control to confirm the boom raises and lowers satisfactorily.
- ON electric powered lifts check the operation of the emergency stop button.
- EXAMINE slings for fraying or other damage. **DO NOT** use any sling if damaged
- CONFIRM the lift is not giving a low battery alarm when the hand control is operated. If the alarm sounds, **DO NOT** use and place on charge immediately.

### MAINTENANCE, INSPECTION AND TEST

Sunrise Medical recommend a thorough inspection and test of the Oxford/Hoyer Ascend lift and lifting accessories, slings, scales etc is carried out on a regular basis. Inspection frequency varies from country to country so you must check with your dealer or local government agency as appropriate regarding how often an inspection is required. The examination and test should be conducted according to the recommendations and procedures below. Sunrise Medical recommends maintenance, inspection and certified testing is carried out by authorised service agent / dealers only.

**NOTE:** These recommendations are in compliance with the requirements of 1998 No2307 Health and Safety: The Lifting Operations and Lifting Equipment Regulations 1998. This is a UK regulation. Outside the UK please check your local country requirements.

**\*THESE CHECKS SHOULD INCLUDE:**

	Initially	Before Use	Service Intervals
1. <b>BOOM:</b> Check the attachment of the boom to the mast. Make sure there is only minimal side movement of the boom and the boom is free to rotate on the boom bearing.	✓	✓	
2. <b>MAST:</b> Check the operation of the mast-locking device. Make sure the mast fully engages into the socket. Check the bottom actuator.	✓	✓	
3. <b>ACTUATOR:</b> The actuator should require no maintenance other than checking for correct operation and listening for unusual noise.			✓
4. <b>POWER PACK:</b> Check the function of the emergency stop button and emergency lower.	✓	✓	
5. <b>BATTERIES:</b> The batteries are housed in the power pack and should not require maintenance other than the regular charging as detailed in the charging instructions. Check that the connections remain clean.			✓
6. <b>LEG ADJUSTMENT:</b> Check the legs operate in both full extensions (inward/outward).	✓	✓	
7. <b>CASTORS:</b> Check all castors for firm attachment to the legs. Check for free rotation of the castor and the wheels.	✓	✓	
8. <b>CLEANING:</b> Clean with ordinary soap and water and/or any hard surface disinfectant. Harsh chemical cleaners or abrasives should be avoided as these may damage the surface finish of the lift. Avoid wetting any of the electrical parts.			✓
9. <b>LOAD TEST:</b> The load test should be carried out in accordance with the manufacturer's test procedures. It is strongly recommended the testing is carried out by an authorised service dealer.			✓
10. <b>BASE AND WHEELS:</b> Ensure base is even and level (all four wheels are on the floor).	✓	✓	
11. <b>SLINGS:</b> Check for wear and fraying.		✓	
12. <b>LUBRICATION:</b> Oil pivot joints, including mast and boom connections, pedal assembly, spreader bar joint (only if required).			✓
13. <b>HAND SET:</b> Ensure plugged fully into controller.	✓	✓	

## 10. TECHNICAL SPECIFICATIONS

Safe Working Load .....	375 lbs	170 kg
Maximum Overall Length.....	43.3 inches	1100 mm
Minimum Overall Length .....	39.3 inches	1000 mm
Maximum Overall Height .....	66.5 inches	1690 mm
Minimum Overall Height .....	48.4 inches	1230 mm
Maximum Height to attachment point.....	64.7 inches	1644 mm
Minimum Height to attachment point.....	38.3 inches	974 mm
Turning Radius .....	51.9 inches	1320 mm
Legs Open - External Width .....	39.1 inches	995 mm
Legs Open - Internal Width .....	34.8 inches	885 mm
Legs Closed - External Width .....	24.8 inches	630 mm
Legs Closed - Internal Width .....	20.0 inches	510 mm
Widest Point (between support handles) .....	28.7 inches	729 mm
Overall Height of Legs .....	4.7 inches	120 mm
Ground Clearance.....	1.4 inches	35 mm
Front Twin Castors .....	4.0 inches	100 mm
Rear Braked Castors .....	4.0 inches	100 mm

### Weights

Mast, Base & Boom Assembly .....	97 lbs	44.0 kg
Power Pack .....	6.6 lbs	3 kg
Total.....	103.6 lbs	47.0 kg
Base Assembly (not inc battery) .....	42.9 lbs	19.5 kg
Mast & Boom (not inc battery) .....	45.1 lbs	20.5 kg

All measurements are within a +5/--5 degree of tolerance.

**ELECTRICAL SPECIFICATIONS**

BATTERIES .....12 volt Rechargeable sealed lead acid type  
 BATTERY CAPACITY .....3.2 Ampere hours  
 CHARGER RATED INPUT .....230Vac 50/60Hz  
 CHARGER RATED OUTPUT .....27.4/29.0 VDC@0.8A

**Electric Shock Protection**

CHARGER .....CLASS II  
 LIFT.....INTERNAL POWER SOURCE

**Degree of Shock Protection**

CHARGER .....TYPE B  
 LIFT.....TYPE B

INTENDED OPERATING ENVIRONMENT: .....>+5° <+40°.

**Outside this environment functionality and safety may be compromised.**

## 11. WARRANTY

Sunrise Medical has an established network of reputable distributors and dealers who will be pleased to handle all your purchasing, warranty, repair and maintenance enquire.

Our products are guaranteed for a period of 24 months from the date of manufacture or 24 months from the date of purchase if commissioned by an authorised dealer. This guarantee covers the lift's major structure, actuator and control box, handset, and battery for manufacturing defects/failures.

We recommend that all of our products are commissioned by your dealer and are supported by them for future servicing. The dealer or distributor operates the warranty Programme; so it is important to keep a record of their name address and telephone number so they can be contacted should any problem arise.

Failure to comply to the lift's servicing schedule may result in your warranty being invalid.

If you are in doubt where your lift was purchased, Sunrise Medical can trace the supplier if you quote the serial number of the lift.

**REMEMBER** Contact your distributor for purchases, Warranty, repairs, servicing and certified maintenance.

Your distributor:

## COORDONNÉES DU FABRICANT



### EUROPE

#### Sunrise Medical Ltd

High Street, Wollaston, Stourbridge,

West Midlands

DY84PS UK (Royaume-Uni)

+44 (0) 1384 44 66 22

Fax: +44 (0) 1384 44 66 44

[www.sunrisemedical.co.uk](http://www.sunrisemedical.co.uk)



### États-Unis

#### Sunrise Medical, Inc

5001 Joerns Drive

Stevens Point, WI 54481-5040

715-341-3600

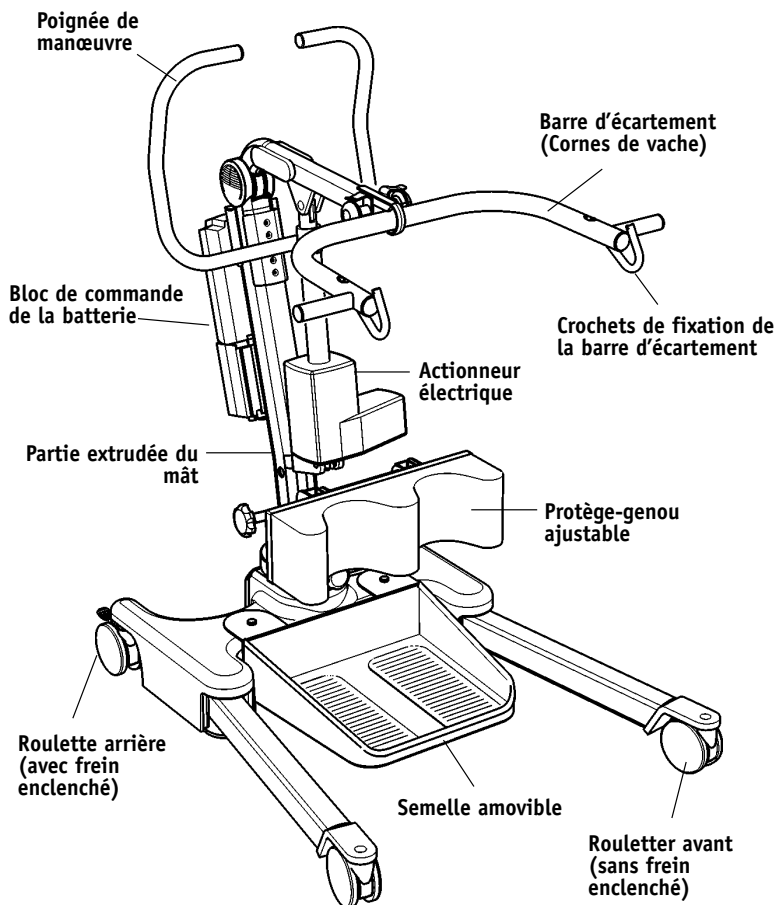
800-826-0270 (toll free)

[www.sunrisemedical.com](http://www.sunrisemedical.com)

## TABLE DES MATIÈRES

1. Lève-personne Oxford / Hoyer Ascend.....	23
2. Introduction : À propos de votre lève-personne.....	24
3. Instructions de montage et de mise en service .....	25
4. Guide des courroies.....	29
5. Soulever le patient à l'aide du Oxford/Hoyer Ascend .....	30
6. Consignes de sécurité.....	31
7. Instructions de fonctionnement .....	33
8. Instructions de charge.....	35
9. Périodicité d'entretien .....	37
10. Spécifications techniques .....	39
11. Garantie .....	41

## 1. LÈVE-PERSONNE OXFORD / HOYER ASCEND



## 2. INTRODUCTION : À PROPOS DE VOTRE LÈVE-PERSONNE

Le lève-personne Oxford / Hoyer Ascend est électrique. Chaque lève-personne Ascend est entièrement monté, soumis à un essai de charge et certifié avant d'être emballé / expédié.

L'emballage se compose d'une boîte en carton robuste construite spécialement pour les expéditions domestiques et les exportations et garantissant l'arrivée de l'appareil intact à destination.

L'emballage de chaque lève-personne comprend une pochette contenant un certain nombre de documents qui doivent être conservés en lieu sûr au cas où ils devraient être consultés ultérieurement.

- CERTIFICAT D'ESSAI
- MANUEL D'UTILISATION
- CARTE DE GARANTIE DU REVENDEUR (Europe uniquement)
- CARTE DE SATISFACTION (Europe uniquement)
- LISTE DE VÉRIFICATIONS D'EMBALLAGE

Le CERTIFICAT D'ESSAI est un document important qui doit être conservé dans votre dossier assurance. Il est valide pendant six mois et, après son expiration, le lève-personne doit être inspecté et entretenu selon le calendrier d'entretien.

L'entretien et les essais périodiques peuvent être effectués pour votre revendeur agréé. Assurez-vous que votre lève personne est inscrit dans le calendrier d'entretien de votre revendeur. En cas d'incertitude concernant les normes d'entretien locales, veuillez vous renseigner auprès de votre revendeur et / ou d'un organisme gouvernemental local.

Le lève-personne Oxford / Hoyer Ascend est conçu pour les CATÉGORIES de levage suivantes, dans les limites des paramètres de fonctionnement des appareils figurant dans les SPÉCIFICATIONS TECHNIQUES.

- Catégorie A – Fauteuil roulant
- Catégorie D – Toilette / chaise de douche

### Marque CE :



L'appareil oxford / Hoyer Ascend porte la marque CE et il est conforme aux directives CE suivantes :

- Medical Device Directive (appareils médicaux) (93/42/CEE)
- Directive EMC (89/336/CEE)
- Directive relative aux basses tensions (73/23/CEE)

### 3. INSTRUCTIONS DE MONTAGE ET DE MISE EN SERVICE

Placez la boîte sur une surface bien dégagée et ouvrez-la avec précaution. Elle contient :

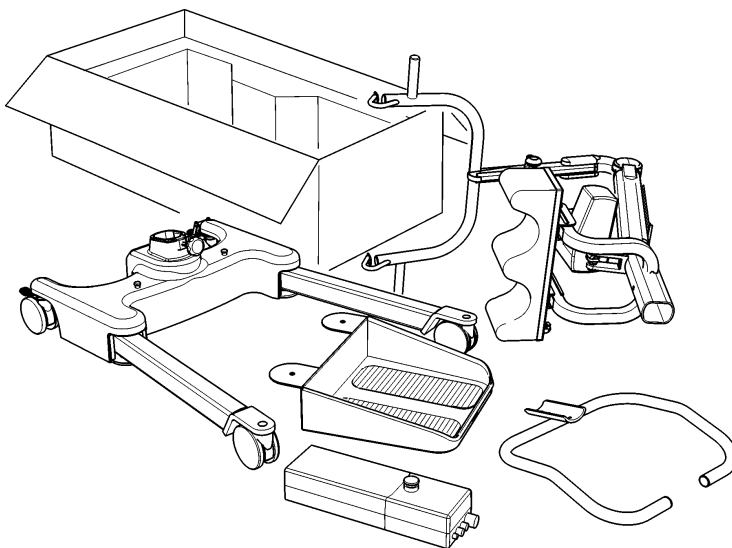
- LÈVE-PERSONNE OXFORD / HOYER ARISE
- UNE POCHETTE CONTENANT DES DOCUMENTS
- UNE COMMANDE MANUELLE
- BLOC BATTERIE
- FIL DE CHARGE
- CHARGEUR / SUPPORT POUR BUREAU

#### **▲ AVERTISSEMENT**

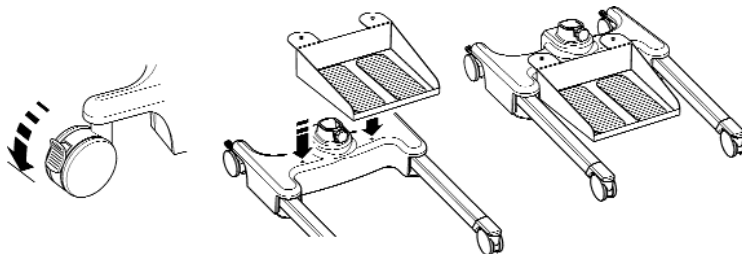
L'appareil Oxford / Hoyer Ascend est lourd et doit être soulevé avec précaution. Vous aurez éventuellement besoin d'aide pour soulever l'appareil Oxford / Hoyer Ascend et le sortir de sa boîte.

#### **MONTAGE**

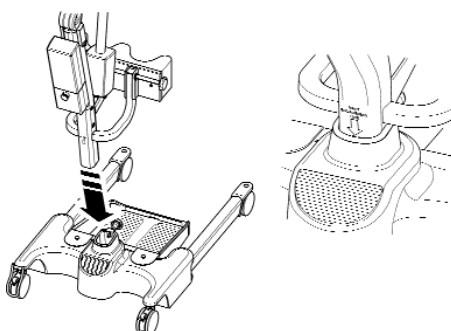
Retirez toutes les pièces de la boîte et placez-les par terre, en prenant soin de protéger le fini.



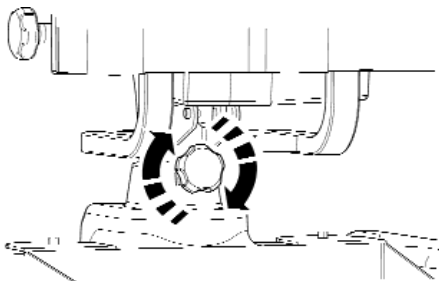
1. Placez le châssis dans un endroit dégagé et enclenchez les freins arrière. Fixez le cale-pied à la base à l'aide des trous de fixation scellés dans la base.



2. Enfoncez le mât et la flèche dans la douille du châssis.



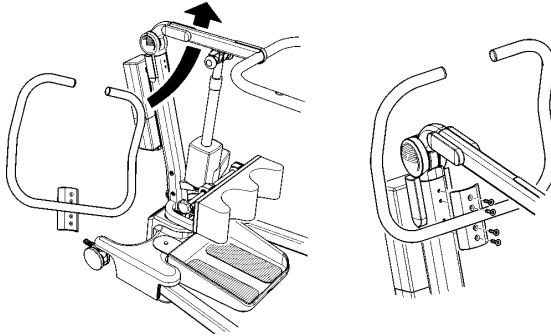
3. Resserrez le mât à l'aide du dispositif de verrouillage du mât situé devant le châssis.



### ⚠ AVERTISSEMENT

Évitez de coincer vos doigts. Lorsque vous insérez le mât dans la fente, gardez vos doigts à l'écart de l'extrémité du mât. L'enclenchement complet du mât est indiqué par l'étiquette située sur son côté. Le pied électrique ne fonctionnera pas si le mât n'est pas totalement enclenché.

4. Faites tourner le bouton de verrouillage jusqu'à ce qu'il soit légèrement serré.
5. Alignez la poignée avec le mât et fixez-la à l'aide des attaches fournies. Les attaches et la clé nécessaires à la fixation de la poignée se trouvent dans la poche du manuel d'utilisation.



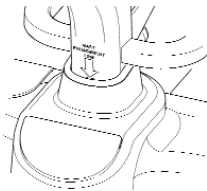
6. Replacez le bloc d'alimentation sur le lève-personne et vérifiez que la bride le maintenant est totalement enclenchée. Enclenchez le bloc.

## DÉMONTAGE

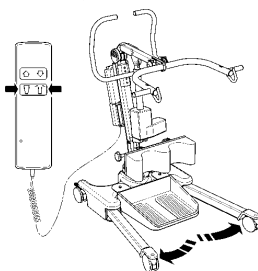
Le lève-personne ne doit être démonté que pour être réparé, entretenu ou transporté. Par conséquent, suivez les instructions de montage dans l'ordre inverse.

## EFFECTUEZ TOUJOURS LES VÉRIFICATIONS SUIVANTES AVANT D'UTILISER L'APPAREIL :

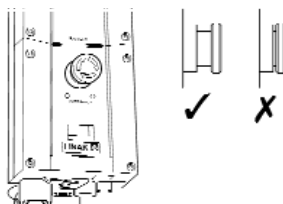
- Le mât est complètement verrouillé en position



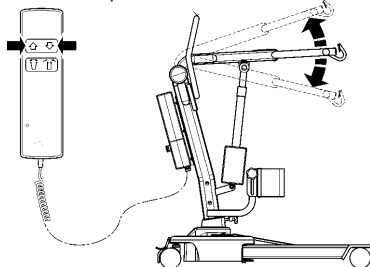
- Les pieds du lève-personne s'ouvrent et se referment de façon satisfaisante (Pour cela, utilisez la commande manuelle).



- Le bouton rouge d'arrêt d'urgence, situé à l'arrière du boîtier de commande, est en position OFF (arrêt).



- Appuyez sur les boutons « up » (vers le haut) et « down » (vers le bas) de la commande manuelle pour confirmer que la flèche se lève et s'abaisse.



## 4. GUIDE DES COURROIES

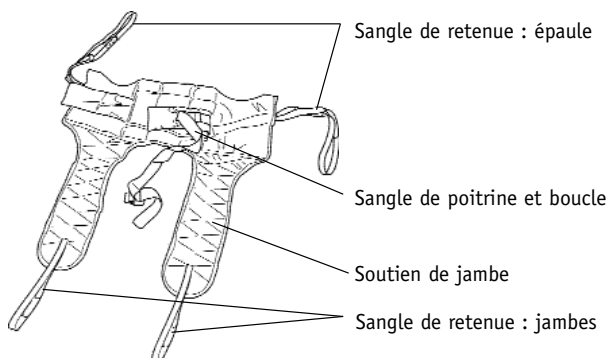
L'appareil Oxford / Hoyer Ascend convient à des patients ASSIS, ASSIS / ALLONGÉS ET ALLONGÉS. Les courroies convenant à ce dispositif sont décrites ci-après :

- Courroie de transport Oxford / Hoyer
- Courroie de levée Oxford / Hoyer

### GUIDE D'UTILISATION DES COURROIES STANDAID

Les courroies de transport et de levée sont faciles à installer et permettent de soulever et de soutenir le patient. Il ne s'agit pas d'une courroie à usage général et les patients désirant l'utiliser doivent être évalués par une personne qualifiée.

#### Courroie de transport



Glissez la courroie le long du dos du patient, en laissant la partie supérieure de l'ouverture du siège hygiénique à la base de la colonne vertébrale. Vérifiez que la partie flexible de la courroie est perpendiculaire au dos du patient.

Fixez la sangle de retenue autour de la poitrine du patient. Elle n'a pas besoin d'être serrée. Elle sert à maintenir la courroie en position lors de la fixation des sangles au Standaid. Vous pouvez totalement l'ignorer, si vous le désirez. Vérifiez que les bras du patient sont à l'extérieur de la courroie.

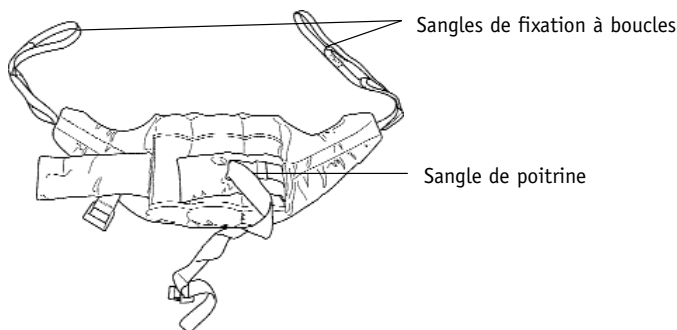
Soulevez la jambe du patient et faites passer la sangle de retenue en dessous des jambes, puis faites-la remonter entre ces dernières. Vérifiez que la courroie n'est ni tordue, ni coincée sous la cuisse. Répétez cette procédure pour l'autre jambe. Attachez les sangles des parties flexibles de la courroie aux crochets blancs situés à l'extrémité des poignées.

Sans pour autant croiser les boucles des sangles de retenue des jambes, attachez les boutons noirs gauche et droit sur la fourche de levage. En règle générale, nous vous

conseillons d'utiliser l'anneau du milieu. Le patient est désormais prêt à être soulevé de son siège. Une fois qu'il a été soulevé de son siège le patient sera plus confortable s'il est rabaisé en position assise.

Sunrise Medical vous conseille de vérifier, régulièrement et avant toute utilisation, que vos courroies ne sont ni effilochées, ni endommagées. N'utilisez pas de courroie usagée ou endommagée.

### Courroie de levée



Faites glisser la courroie le long du dos du patient et installez-la entre le bas des épaules et le bas de la cage thoracique. Fixez les sangles de retenue autour de la poitrine du patient. Elles n'ont pas besoin d'être serrées. Elles servent à maintenir la courroie en position lors de sa fixation au Standard. Vous pouvez totalement les ignorer, si vous le désirez. Vérifiez que les bras du patient sont à l'extérieur de la courroie.

### **⚠ AVERTISSEMENT**

**Les sangles et les lève-personnes de Oxford/Hoyer ne sont pas interchangeables avec les produits d'autres fabricants. Utiliser les produits d'autres fabricants sur des produits Oxford/Hoyer est dangereux et peut engendrer de sérieuses blessures au patient et/ou au soignant**

## **5. SOULEVER LE PATIENT À L'AIDE DU OXFORD/HOYER ASCEND**

Placez le Standard de manière à ce que les pieds du patient soient dans le plateau à pied et ses genoux contre le protège-genou. Commencez par attacher les boucles les plus longues de la courroie aux crochets gris situés à l'extrémité des poignées du Standard. Les mains du patient doivent se trouver sur les poignées. (Une fois que le patient a l'habitude de l'appareil, des boucles plus courtes peuvent l'aider à se mettre en position plus droite). Appuyez ensuite sur le bouton UP de la commande manuelle pour soulever le patient en position verticale.

## 6. CONSIGNES DE SÉCURITÉ

Veuillez lire et suivre les consignes de sécurité ci-dessous. Le fonctionnement et l'utilisation des lève-personnes Oxford / Hoyer sont simples et clairs. Si vous suivez ces quelques consignes de sécurité fondamentales, vous serez en mesure d'utiliser ce lève-personne facilement et sans problème.

### AVANT D'UTILISER VOTRE LÈVE-PERSONNE « ASCEND », LISEZ LES INSTRUCTIONS DU MANUEL D'UTILISATION ET VEILLENZ À BIEN LES COMPRENDRE

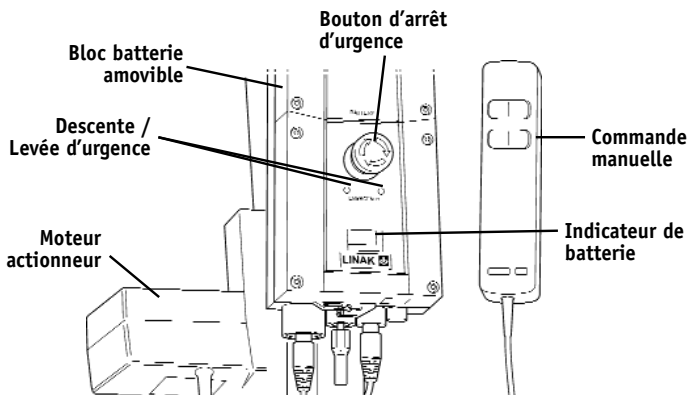
#### AVERTISSEMENT

- Planifiez **TOUJOURS** vos opérations de levage avant de commencer.
- Effectuez **TOUJOURS** les étapes de la LISTE DES VÉRIFICATIONS QUOTIDIENNES avant d'utiliser le lève-personne.
- Familiarisez-vous **TOUJOURS** avec les commandes et les dispositifs de sécurité d'un lève-personne avant de soulever un patient.
- **N'UTILISEZ PAS** de courroie, à moins que cela ne soit recommandé.
- Vérifiez **TOUJOURS** que la courroie convient au patient et qu'elle est de taille et de capacité appropriées.
- **N'utilisez JAMAIS** une courroie effilochée ou abîmée.
- Ajustez **TOUJOURS** la courroie suivant les instructions fournies (consignes d'utilisation).
- **NE dépassez PAS** la charge maximale d'utilisation
- Vérifiez **TOUJOURS** que la charge maximale d'utilisation du lève-personne est compatible avec le poids du patient.
- Effectuez **TOUJOURS** le levage en fonction des instructions du manuel d'utilisation.
- Ne débranchez ni n'ignorez **JAMAIS** une commande ou un dispositif de sécurité sous prétexte que cela facilite l'utilisation du lève-personne.
- **NE soulevez PAS** un patient si les freins des roulettes sont enclenchés. Laissez toujours le lève-personne trouver le centre de gravité correct.
- **N'essayez PAS** de manœuvrer le lève-personne en poussant le mât, la flèche ou le patient.
- Manœuvrez **TOUJOURS** le lève-personne à l'aide du bouton poussoir manuel / à pied fourni.

- Amenez **TOUJOURS** le patient à la position la plus basse et la plus confortable avant un transfert.
- **NE poussez PAS** un lève-personne chargé à des vitesses dépassant une allure de marche lente (3 kilomètres / heure, soit 0.8 mètres / seconde).
- **NE poussez PAS** le lève-personne sur un terrain accidenté particulièrement s'il est chargé.
- **N'essayez PAS** de pousser / tirer un lève-personne chargé pour surmonter un obstacle au sol.
- **NE forcez JAMAIS** une commande de fonctionnement / de sécurité. Toutes les commandes sont faciles à utiliser et ne nécessitent pas une force excessive.
- **NE rangez JAMAIS** un lève-personne chargé sur UNE surface inclinée.
- **N'utilisez PAS** les lève-personnes électriques dans la douche.
- **NE chargez PAS** un lève-personne électrique dans une salle de bains ou une salle de douche.
- **NE soulevez PAS** un patient si vous n'en avez ni l'expérience ni la compétence.
- **VOTRE** lève-personne est prévu pour soulever des patients. **NE** l'utilisez **PAS**, et n'autorisez personne à s'en servir à d'autres fins.
- **NE forcez PAS** le lève-personne à descendre des marches, qu'il soit chargé ou non.
- **N'essayez PAS** de déplacer un lève-personne chargé sur une pente de plus de 1:12 (environ 5 degrés).
- **N'essayez PAS** de monter ou de descendre une côte sans une autre personne à vos côtés.
- **N'utilisez PAS** le lève-personne dans un endroit mouillé ou corrosif, tel que les abords d'une piscine.

## 7. INSTRUCTIONS DE FONCTIONNEMENT

### COMMANDES DE FONCTIONNEMENT



#### 1. Réglage des pieds

La largeur des pieds de l'appareil Oxford / Hoyer Ascend est réglable. Les pieds peuvent être ouverts pour faciliter l'accès autour des fauteuils ou des chaises roulantes. Pour permettre les transferts et le passage par des portes et des endroits exigus, les pieds du lève-personne doivent être en position fermée.

Le réglage des pieds électriques – est accompli en appuyant sur certains boutons de la commande manuelle. Les pieds se bloquent lorsque l'interrupteur de la commande manuelle est relâché.

#### 2. Roulettes et freinage

Le lève-personne comporte deux roulettes à frein, qui permettent d'immobiliser l'appareil. Durant le levage, les roulettes doivent rester libres et ne pas être bloquées. Le lève-personne peut ainsi se diriger vers son centre de gravité. Si les freins sont enclenchés, le patient peut basculer vers le centre de gravité, ce qui peut s'avérer déconcertant et inconfortable.

#### 3. Levage et abaissement de la flèche

Le mouvement de la flèche est transmis par un puissant actionneur électrique, qui est lui-même contrôlé par une simple unité de commande manuelle. La commande manuelle est munie de deux boutons sur lesquels se trouvent les flèches UP (vers le haut) et DOWN (vers le bas). L'actionneur s'arrête automatiquement en fin de course dans les deux sens. La commande manuelle se branche sur une prise située à la base du boîtier de commande.

#### 4. Arrêt d'urgence

Le bouton rouge d'arrêt d'urgence, situé à l'arrière du boîtier de commande, est activé lorsqu'on appuie dessus. Cela coupe l'alimentation du lève-personne, laquelle n'est rétablie que lorsque le bouton est tourné dans le sens antihoraire, puis relâché.

#### 5. Descente / Levée électrique d'urgence

Les boutons de descente et de levée d'urgence se trouvent à l'avant du boîtier de commande. Pour les activer, insérez la pointe d'un stylo à bille dans le bouton portant l'inscription ↑↓. Cela permet de faire descendre la flèche en cas de défaillance de la commande manuelle.

#### 6. Descente mécanique d'urgence

En cas de panne électrique totale, l'actionneur électrique est doté d'un dispositif de descente mécanique (BOSSAGE ROUGE). Celui-ci ne fonctionne que lorsque le lève-personne est chargé. Ce dispositif doit être tiré vers le haut pour s'activer, après quoi une descente lente commence.

#### 7. Batteries

Les batteries sont protégées contre les décharges poussées par une ALARME DE BASSE TENSION. Celle-ci retentit lorsque les batteries doivent être rechargées et que la commande manuelle est en usage. Elle ne retentit pas si la commande manuelle n'est pas en usage. NE NÉGLIGEZ PAS CETTE ALARME. Achevez le levage et mettez l'appareil sous charge (voir instructions de charge).

#### 8. Courroies

L'appareil Oxford / Hoyer Ascend convient à des patients ASSIS, ASSIS / ALLONGÉS ET ALLONGÉS. Les courroies convenant à ce dispositif sont décrites ci-après :

- Courroie de transport Oxford / Hoyer
- Courroie de levée Oxford / Hoyer

#### 9. Réglage du protège-genou

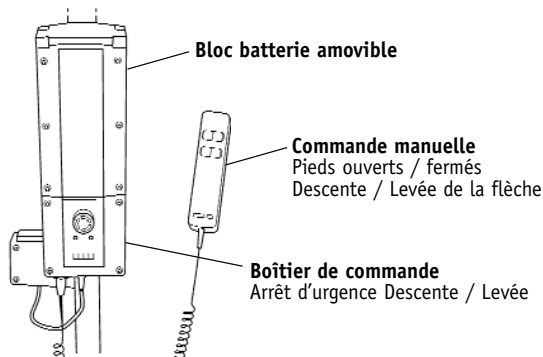
L'appareil Ascend est équipé d'un protège-genou réglable, qui se déplace de 6 pouces. Pour le déplacer vers le haut ou vers le bas, desserrez le bouton situé à sa gauche.

#### 10. Semelle amovible

Le lève-personne Ascend est équipé d'une semelle amovible. Pour enlever cette semelle, placez-vous à l'avant de l'appareil et soulevez la semelle à partir du milieu de l'assemblage. REMARQUE Faites bien attention lorsque vous soulevez la semelle de sa position basse.

## 8. INSTRUCTIONS DE CHARGE

Les batteries sont situées dans le bloc d'alimentation et elles sont rechargées au moyen d'un chargeur autonome.



Lorsque le bloc d'alimentation doit être rechargé, retirez-le du lève-personne et branchez-le sur le chargeur autonome.

Sunrise Medical Ltd recommande l'achat d'un bloc batterie supplémentaire, afin qu'un bloc soit toujours chargé.

1. Retirez le bloc d'alimentation du lève-personne. Il est retenu par une simple bride située sur le dessus. Soulevez la bride et le bloc est dégagé.
2. Placez le bloc d'alimentation dans le chargeur. L'emplacement et la fixation du bloc d'alimentation sur le chargeur sont assurés par le même système que celui utilisé sur le lève-personne.
3. Branchez le fil / le cordon du chargeur sur une prise de courant appropriée et ACTIVEZ l'alimentation principale.
4. Les batteries se chargent complètement et automatiquement sur une période de huit à douze heures.

**REMARQUE :** Même si le chargeur reste branché pendant très longtemps, cela n'entraînera pas la « surcharge » des batteries.

5. Pour remettre le lève-personne en service, COUPEZ l'alimentation principale et retirez le bloc d'alimentation du chargeur. Replacez le bloc d'alimentation sur le lève-personne et vérifiez que la bride le maintenant est totalement enclenchée. Enclenchez le bloc. Le chargement des lève-personnes électriques Oxford / Hoyer est simple et clair, mais vous devez absolument suivre les instructions à la lettre. Prêtez une attention toute particulière aux points suivants, vous éviterez ainsi de vous retrouver avec des batteries déchargées.

**⚠ AVERTISSEMENT**

**GARDEZ** les batteries complètement chargées. Mettez le lève-personne sous charge lorsqu'il n'est pas en usage. Si cela est plus pratique, chargez-le chaque nuit. Le chargeur ne « surchargera » pas les batteries.

**⚠ AVERTISSEMENT**

**NE laissez JAMAIS** les batteries se décharger complètement. Si l'avertisseur audible retentit, terminez le levage en cours et mettez le lève-personne sous charge.

**⚠ AVERTISSEMENT**

**NE rangez JAMAIS** le lève-personne pendant des périodes prolongées sans le recharger à intervalles réguliers durant ces périodes.

**⚠ AVERTISSEMENT**

Coupez **TOUJOURS** l'alimentation principale du chargeur avant de le brancher ou de le débrancher de l'appareil.

**⚠ AVERTISSEMENT**

**Ne laissez JAMAIS** le chargeur branché sur le lève-personne lorsque l'alimentation principale est coupée.

**⚠ AVERTISSEMENT**

**NE CHARGEZ PAS** un lève-personne électrique dans une salle de bains ou une salle de douche.

## 9. PÉRIODICITÉ D'ENTRETIEN

Tous les produits Oxford / Hoyer sont conçus de manière à ne nécessiter qu'un entretien minimal ; toutefois, certaines vérifications et procédures de sécurité sont nécessaires. Un tableau des tâches QUOTIDIENNES est présenté ci-après. Des vérifications quotidiennes et un entretien, une inspection et un essai semestriels garantissent que le lève-personne fonctionnera parfaitement. Une liste de pièces détachées est disponible sur demande.

L'ESSAI DE CHARGE et la certification doivent être effectués par du personnel qualifié ou un agent / concessionnaire d'entretien autorisé.

LISTE DES VÉRIFICATIONS QUOTIDIENNES : Sunrise Medical vous conseille vivement d'effectuer les vérifications suivantes chaque jour et avant d'utiliser le lève-personne.

- ASSUREZ-VOUS que le lève-personne se déplace facilement sur ses roulettes.
- VÉRIFIEZ que la barre d'écartement (cornes de vache) est bien fixée sur la flèche.
- RECHERCHEZ les signes d'usure sur les crochets de la courroie et sur les dispositifs de suspension latéraux de la barre d'écartement et de la flèche.
- ASSUREZ-VOUS que les pieds s'ouvrent et se referment correctement.
- ACTIONNEZ la commande manuelle ou l'unité hydraulique pour confirmer que la flèche se soulève et s'abaisse normalement.
- Les appareils électriques ACTIVÉS permettent de vérifier le fonctionnement du bouton d'arrêt d'urgence.
- INSPECTEZ les courroies pour tout signe d'effilochage ou d'autres dommages. N'UTILISEZ PAS de courroie endommagée.
- ASSUREZ-VOUS que l'alarme de batterie faible ne se déclenche pas lorsque la commande manuelle est actionnée. Si l'alarme retentit \* N'UTILISEZ PAS l'appareil et mettez-le sous charge immédiatement.

### ENTRETIEN, INSPECTION ET ESSAIS

Sunrise Medical recommande d'effectuer régulièrement une inspection et des essais poussés du lève-personne Oxford / Hoyer Ascend et des accessoires, courroies, etc. La fréquence des inspections varie d'un pays à un autre. Veillez vous renseigner auprès de votre revendeur et / ou d'un organisme gouvernemental local sur la périodicité requise des inspections. Les examens et les essais doivent être effectués suivant les recommandations et les procédures énoncées ci-après. Dans la mesure du possible, Sunrise Medical recommande que l'entretien, les inspections et les essais certifiés soient effectués uniquement par un agent d'entretien ou un revendeur agréé.

**REMARQUE :** Ces recommandations sont conformes aux normes d'Hygiène et de Sécurité N° 2307 de 1998. Réglementations sur les opérations et l'équipement de levage 1998. Il s'agit d'une réglementation du Royaume-Uni. En dehors du Royaume-Uni, veuillez vous renseigner sur les règlements de votre pays.

## \*CES VÉRIFICATIONS DOIVENT PORTER SUR :

	Initialement	Avant utilisation	Intervalles d'entretien
1. <b>FLÈCHE</b> : Vérifiez que la flèche est fixée sur le mât. Assurez-vous que le mouvement latéral de la flèche est minimal et qu'elle tourne librement sur son roulement.	✓	✓	
2. <b>MÂT</b> : Vérifiez le fonctionnement du dispositif de verrouillage du mât. Assurez-vous que le mât s'engage entièrement dans la douille. Vérifiez le l'actionneur du bas.	✓	✓	
3. <b>ACTIONNEUR</b> : Hormis la vérification du bon fonctionnement et la recherche de bruits inhabituels, l'actionneur ne nécessite en principe aucun entretien.			✓
4. <b>BLOC D'ALIMENTATION</b> : Vérifiez le fonctionnement des boutons d'arrêt d'urgence et de descente d'urgence.	✓	✓	
5. <b>BATTERIES</b> : Les batteries sont logées dans le bloc d'alimentation et, à l'exception de recharges régulières effectuées conformément aux instructions de charge, elles ne nécessitent en principe aucun entretien. Vérifiez la propreté des connexions.			✓
6. <b>RÉGLAGE DES PIEDS</b> : Vérifiez que les pieds s'étendent complètement (vers l'intérieur / l'extérieur).	✓	✓	
7. <b>ROULETTES</b> : Vérifiez que toutes les roulettes sont solidement fixées sur les pieds. Vérifiez que les roulettes et les roues tournent librement.	✓	✓	
8. <b>NETTOYAGE</b> : Nettoyez au savon ordinaire et à l'eau et /ou avec un désinfectant pour surfaces dures. Les produits de nettoyage chimiques corrosifs ou les abrasifs doivent être évités, car ils peuvent endommager la fini du lève-personne. Évitez de mouiller les pièces électriques.			✓
9. <b>ESSAI DE CHARGE</b> : L'essai de charge doit être effectué conformément aux procédures d'essai préconisées par le fabricant. Nous vous conseillons vivement de faire tester l'appareil par un spécialiste agréé.			✓
10. <b>BASE ET ROUES</b> : Assurez-vous que la base est régulière et nivelée (les quatre roues reposent sur le sol).	✓	✓	
11. <b>COURROIES</b> : Vérifiez l'absence d'usure et d'effilochage.		✓	
12. <b>LUBRIFICATION</b> : Huilez les joints pivotants, y compris les pièces reliant le mât et la flèche, l'ensemble de la pédale, la barre d'écartement et le joint (seulement si nécessaire).			✓
13. <b>COMBINÉ</b> : Vérifiez qu'il est totalement branché dans le contrôleur.	✓	✓	

## 10. SPÉCIFICATIONS TECHNIQUES

Charge maximale d'utilisation.....	375 lbs	170 kgs
Longueur maximale hors tout.....	43,3 pouces	1100 mm
Longueur minimale hors tout.....	39,3 pouces	1000 mm
Hauteur maximale hors tout.....	66,5 pouces	1690 mm
Hauteur minimale hors tout.....	48,4 pouces	1230 mm
Hauteur maximale de la barre d'écartement .....	64,7 pouces	1644 mm
Hauteur minimale de la barre d'écartement .....	38,3 pouces	974 mm
Rayon de braquage.....	51,9 pouces	1320 mm
Pieds ouverts - Largeur externe .....	39,1 pouces	995 mm
Pieds ouverts - Largeur interne .....	34,8 pouces	885 mm
Pieds fermés - Largeur externe .....	24,8 pouces	630 mm
Pieds fermés - Largeur interne .....	20 pouces	510 mm
Widest Point (between support handles) .....	28.7 pouces	729 mm
Hauteur des pieds, hors tout .....	4,7 pouces	120 mm
Garde au sol .....	1,4 pouces	35 mm
Roulettes jumelées avant.....	4 pouces	100 mm
Roulettes arrière à freins.....	4 pouces	100 mm

### Poids

Ensemble mât, base et flèche.....	97 lbs	44,0 kgs
Bloc d'alimentation .....	6,6 lbs	3,0 kgs
Total .....	103,6 lbs	47,0 kgs
Base (sans la batterie) .....	42,9 lbs	19,5 kgs
Mât et flèche (sans la batterie) .....	45,1 lbs	20,5 kgs

Toutes les mesures sont indiquées avec une tolérance de +5 / -5.

**SPÉCIFICATIONS ÉLECTRIQUES**

BATTERIES .....12 volts, type plomb-acide,  
scellées rechargeables

CAPACITÉ DES BATTERIES .....3,2 A / h

VALEURS NOMINALES D'ENTRÉE DU CHARGEUR ....230 Vca, 50 / 60 Hz

VALEURS NOMINALES DE SORTIE DU CHARGEUR.....27,4 / 29,0 Vcc à 0,8 A

**Protection contre les décharges électriques**

CHARGEUR.....CLASSE II

LÈVE-PERSONNE .....SOURCE D'ALIMENTATION INTERNE

**Degré de protection contre les décharges**

CHARGEUR.....TYPE B

LÈVE-PERSONNE .....TYPE B

ENVIRONNEMENT DE FONCTIONNEMENT PRÉVU :...>+5° <+40°.

**En dehors de ce type d'environnement le fonctionnement et la sécurité de l'appareil peuvent être compromis.**

## 11. GARANTIE

Sunrise Medical dispose d'un réseau établi de distributeurs et revendeurs réputés qui se feront un plaisir de répondre à toutes vos questions concernant l'achat, la garantie, les réparations et l'entretien.

Nos produits sont garantis 24 mois à compter de la date de fabrication ou 24 mois à compter de la date d'achat s'ils sont mis en service par un revendeur autorisé. La présente garantie couvre la structure, l'actionneur et le moteur, le boîtier de commande, le combiné et la batterie du lève-personne pour les défauts/défaillances de fabrication.

Nous vous conseillons de faire installer, entretenir et réparer vos appareils pour votre revendeur. C'est ce dernier, ou le distributeur qui est responsable du programme de garantie. Il est donc important de conserver leurs noms, adresses et numéros de téléphone afin de pouvoir les joindre si un problème survient.

Le non-respect du calendrier d'entretien du lève-personne peut entraîner l'annulation de la garantie.

Si vous ne savez pas où l'appareil a été acheté, son numéro de série permettra à Sunrise Medical de localiser le fournisseur.

**N'OUBLIEZ PAS** de contacter votre distributeur au sujet d'achats, de garantie, de réparations, et révisions et d'entretien certifié.

Votre distributeur :

## DETALLES DE CONTACTO DEL FABRICANTE



### EUROPA

#### Sunrise Medical Ltd

High Street, Wollaston, Stourbridge,

West Midlands

DY84PS UK

+44 (0) 1384 44 66 22

Fax: +44 (0) 1384 44 66 44

[www.sunrisemedical.co.uk](http://www.sunrisemedical.co.uk)



### EE.UU.

#### Sunrise Medical, Inc

5001 Joerns Drive

Stevens Point, WI 54481-5040

715-341-3600

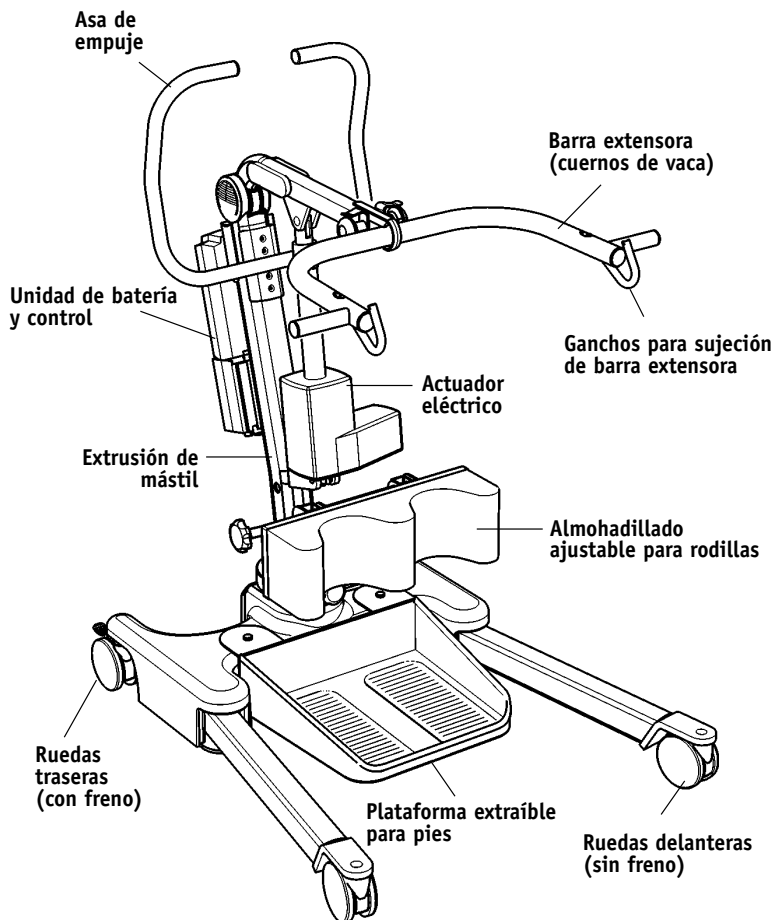
800-826-0270 (toll free)

[www.sunrisemedical.com](http://www.sunrisemedical.com)

## ÍNDICE

1. El elevador de pacientes Oxford/Hoyer Ascend .....	43
2. Introducción: generalidades sobre el elevador .....	44
3. Instrucciones de montaje y encargo .....	45
4. Guía de eslingas .....	49
5. Elevación con un Oxford/Hoyer Ascend .....	50
6. Precauciones de seguridad .....	51
7. Instrucciones de funcionamiento.....	53
8. Instrucciones para la carga .....	55
9. Plan de mantenimiento y lista de comprobación diaria.....	57
10. Especificaciones Técnicas.....	59
11. Garantía .....	61

## 1. EL ELEVADOR DE PACIENTES OXFORD/HOYER ASCEND



## 2. INTRODUCCIÓN: GENERALIDADES SOBRE EL ELEVADOR

El Oxford/Hoyer Ascend es un elevador para pacientes de accionamiento eléctrico. Cada elevador Ascend está completamente montado, y ha sido verificado y certificado antes de ser embalado y enviado.

El embalaje consta de una caja de cartón resistente, hecha a medida, que se utiliza tanto para los envíos nacionales como para las exportaciones para asegurar que el equipo llegue intacto a su destino.

Con cada elevador se envía una bolsa con varios documentos; esta bolsa debe conservarse para su consulta futura.

- CERTIFICADO DE VERIFICACIÓN
- MANUAL DEL USUARIO
- TARJETA DE GARANTÍA DEL PROVEEDOR (Europa solamente)
- TARJETA DE SATISFACCIÓN DEL CLIENTE (Europa solamente)
- LISTA DE COMPROBACIÓN DE EMBALAJE

El CERTIFICADO DE PRUEBA es un documento importante y será necesario para sus registros de seguro. Tiene una validez de seis meses. Después de haber vencido este plazo deberá verificarse el elevador y realizarle el mantenimiento según el programa de mantenimiento.

El mantenimiento y las verificaciones periódicas puede llevarlas a cabo su proveedor autorizado. Por favor, asegúrese de que el elevador está incluido en los planes de mantenimiento de su proveedor. Si no está seguro de cuáles son los requisitos de mantenimiento en su área geográfica, consulte con su proveedor y/o con una oficina de la administración local.

El Oxford/Hoyer Ascend es adecuado para las siguientes CATEGORÍAS de elevador dentro de los parámetros de trabajo de los elevadores especificados en las ESPECIFICACIONES TÉCNICAS.

- Categoría A – Silla de ruedas
- Categoría D – Silla para lavabo/ducha

### La marca CE:



El Oxford/Hoyer Ascend lleva la marca CE y cumple con las siguientes directivas de la CE:

- Directiva de Dispositivos Médicos (93/42/EEC)
- Directiva EMC (89/336/EEC)
- Directiva de bajo voltaje (73/23/EEC)

### 3. INSTRUCCIONES DE MONTAJE Y ENCARGO

Coloque la caja en una zona de trabajo despejada y ábrala con cuidado. La caja contiene:

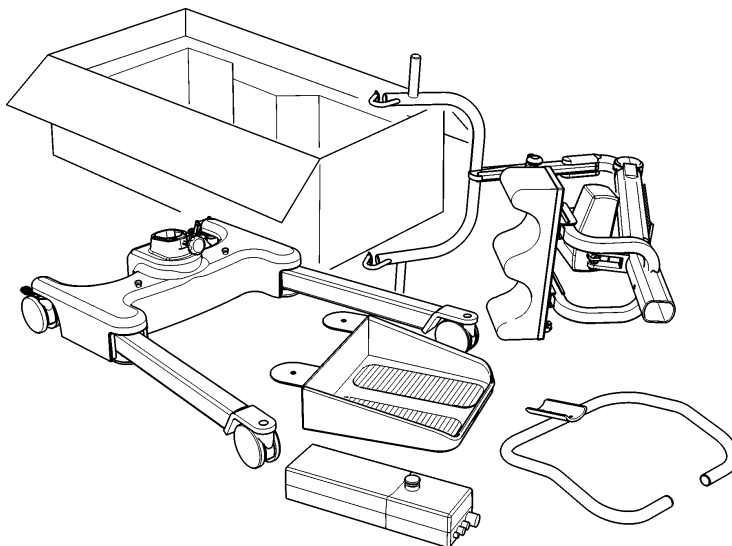
- ELEVADOR OXFORD/HOYER ARISE
- BOLSA CONTENIENDO DOCUMENTOS
- CONTROL DE MANO
- UNIDAD DE BATERÍA
- DIODO DE CARGA
- CARGADOR/SOPORTE DE SOBREMESA

#### **⚠ ADVERTENCIA**

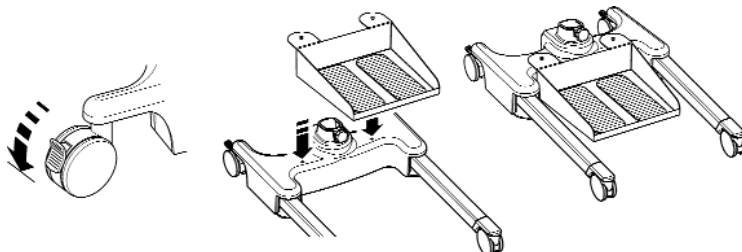
**El Oxford/Hoyer Ascend es pesado y habrá que tener cuidado al levantarlo. Puede que necesite ayuda para sacar el Oxford/Hoyer Ascend de la caja.**

#### **MONTAJE**

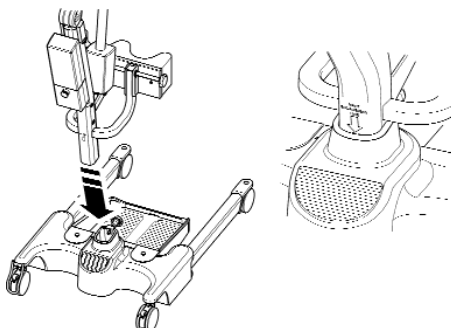
Retire todas las piezas de la caja y colóquelas en el suelo, con cuidado de evitar que el equipo sufra daños en su superficie.



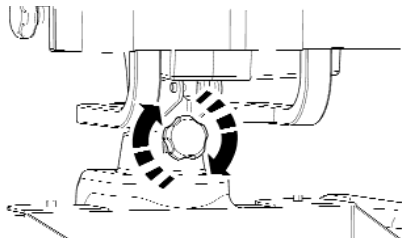
1. Coloque el chasis en un espacio despejado y aplique los frenos traseros. Adherir la bandeja para pies a la base utilizando los agujeros de posición que se encuentran en la base.



2. Coloque el conjunto de mástil y pluma en el alojamiento del chasis.



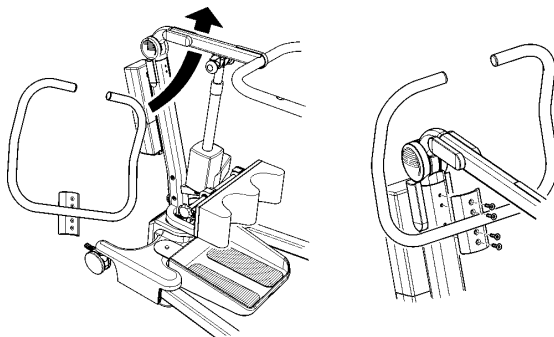
3. Apriete el conjunto de mástil con el dispositivo de bloqueo del mástil, que está situado en la parte delantera del chasis.



### **⚠ ADVERTENCIA**

Evite que queden atrapados sus dedos. Mantenga los dedos alejados del extremo del mástil al insertarlo en el alojamiento del chasis. La etiqueta en el lateral del mástil indica el acoplamiento completo del mástil. El funcionamiento de la pata eléctrica no se producirá a no ser que el mástil esté completamente acoplado.

4. Gire el botón de bloqueo y apriételo con la mano
5. Alinear el ensamblaje de la empuñadura con mástil y adherirlo utilizando las piezas de fijación proveídas. Las piezas de fijación y la llave de tuercas necesarias para adherir la empuñadura se encuentran, por razones de seguridad, en la carpeta de instrucciones.



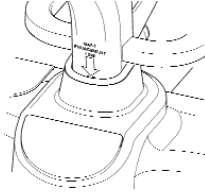
6. Ponga el paquete de alimentación eléctrica en la grúa y cierre el pestillo que asegura el paquete para que éste no se mueva. Hará un sonido de "clíc" cuando esté cerrado.

## DESMONTAJE

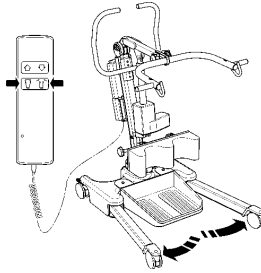
El elevador no debe desmontarse excepto para su mantenimiento, reparación y transporte si fuera necesario. Para ello, siga las instrucciones de montaje en orden inverso.

## VERIFIQUE SIEMPRE LO SIGUIENTE ANTES DEL FUNCIONAMIENTO

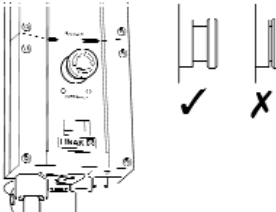
- El mástil está completamente bloqueado en su posición.



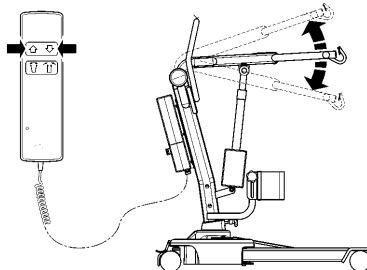
- Las patas del elevador se abren y cierran satisfactoriamente. (Esto se realiza mediante el control de mano).



- El botón rojo de emergencia, situado en la parte posterior del cuadro de control, está en posición OFF (apagado).



- Pulse los botones hacia arriba y hacia abajo del control de mano y confirme que el larguero sube y baja.



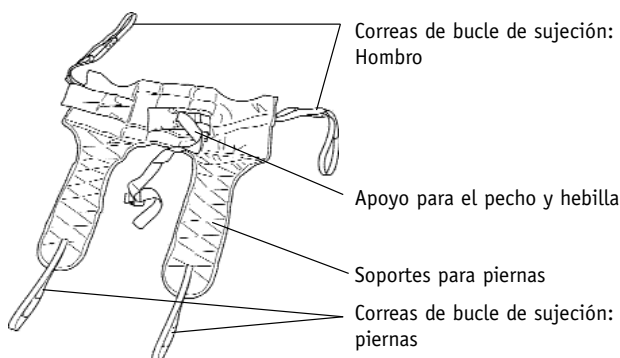
## 4. GUÍA DE ESLINGAS

El Oxford/Hoyer Ascend es adecuado para pacientes en las siguientes posiciones: SENTADO, SENTADO/RECOSTADO y RECOSTADO. Las eslingas adecuadas para este dispositivo son las siguientes

- \* Eslinga Oxford/Hoyer Transport
- \* Eslinga Oxford/Hoyer Standing

Guía del usuario para las eslingas Standaid La eslinga Transport y Standing es una eslinga que se acopla fácilmente, adecuada para estar de pie y para apoyo. No es una eslinga de uso general y una persona cualificada deberá evaluar si su utilización es adecuada para un paciente dado.

### Eslinga Transport



Pase la eslinga por debajo de la espalda del paciente dejando la parte superior de la apertura para el inodoro en la base de la espina dorsal. Compruebe que la parte enrollable de la eslinga quede cuadrada sobre la espalda del paciente.

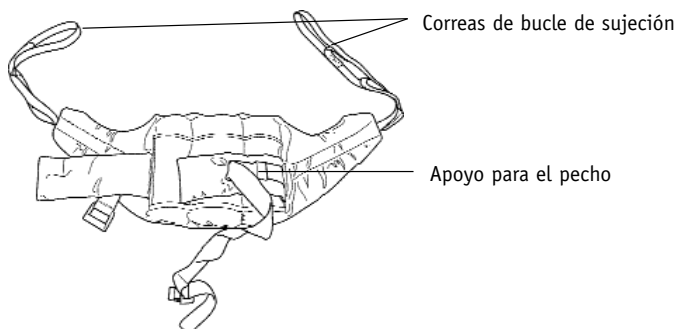
Sujete la correa de apoyo alrededor del pecho del paciente. Esta correa no tiene que quedar apretada. Su función consiste en sujetar la eslinga en su posición mientras se atan los bucles al Standaid. Puede dejarse sin abrochar si se prefiere. Asegúrese de que los brazos del paciente queden en la parte exterior de la eslinga.

Levante la pierna del paciente y pase la correa para la pierna por debajo y hacia arriba entre las piernas. Asegúrese de que la eslinga no quede torcida o arrugada bajo el muslo. Repita este procedimiento para la otra pierna. Sujete los bucles de las partes enrolladas de la eslinga a los ganchos blancos en el extremo de las empuñaduras para la mano.

Sin cruzar los bucles sobre las correas para la pierna, sujete los botones izquierdo y derecho sobre la horquilla de elevación. Normalmente se utiliza la parte intermedia de los tres bucles. El paciente está ahora preparado para ser levantado desde la silla. Una vez fuera de la silla, el paciente estará más cómodo si se le baja a la posición de sentado.

Sunrise Medical recomienda comprobar las eslingas regularmente y antes del uso por si están deshilachadas o dañadas. No utilice eslingas que estén desgastadas o dañadas.

### Eslinga Standing



Coloque la eslinga por debajo de la espalda del paciente entre la base de las escápulas del hombro y la parte inferior de las costillas. Sujete las correas de apoyo alrededor de la parte delantera del paciente. Esta correa no tiene que quedar apretada. Su función consiste en sujetar la eslinga en su posición mientras se sujeta la eslinga al Standaid. Puede dejarse sin abrochar si se prefiere. Asegúrese de que los brazos del paciente queden en la parte exterior de la eslinga.

### **⚠ ADVERTENCIA**

**Las eslingas y elevadores Oxford/Hoyer no son intercambiables con productos de otros fabricantes. La utilización de productos de otros fabricantes en los productos Oxford/Hoyer es peligrosa y podría causar serias heridas al paciente y/o el asistente.**

## 5. ELEVACIÓN CON UN OXFORD/HOYER ASCEND

Coloque el Standaid de manera que los pies del paciente se acomoden en la bandeja para pies y las rodillas descansen contra el almohadillado para rodillas. Inicialmente, sujete los bucles más largos de la eslinga a los ganchos grises en el extremo de las empuñaduras para la mano del Standaid. Las manos del paciente deben colocarse en las empuñaduras. (Una vez que el paciente está acostumbrado al elevador, se pueden utilizar bucles más cortos para conseguir una posición más erguida). Después, pulse el botón UP en el control de mano para levantar al paciente a la posición de pie.

## 6. PRECAUCIONES DE SEGURIDAD

Por favor, lea y siga las precauciones de seguridad que figuran más abajo. El funcionamiento y uso del elevador para pacientes Oxford/Hoyer es sencillo y fácil de comprender. Siguiendo estas precauciones básicas de seguridad, las operaciones de elevación serán fáciles y no causarán problemas.

### LEA Y COMPRENDA EL MANUAL DE INSTRUCCIONES DEL USUARIO ANTES DE UTILIZAR SU ELEVADOR "ASCEND"

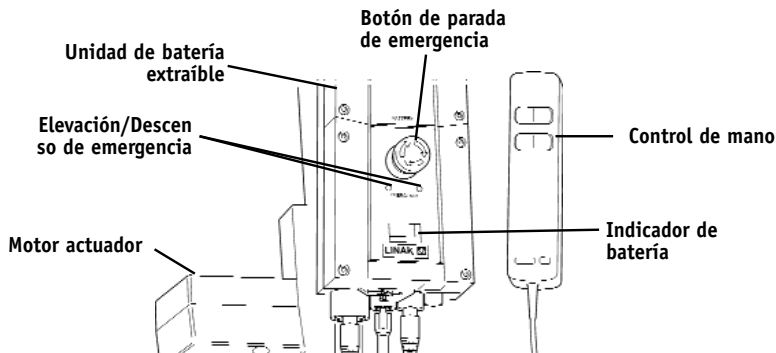
#### ADVERTENCIA

- Planifique **SIEMPRE** sus operaciones de elevación antes de comenzar.
- Repase **SIEMPRE** la LISTA DE COMPROBACIÓN DIARIA antes de utilizar el elevador.
- Familiarícese **SIEMPRE** con el control de funcionamiento y características de seguridad del elevador antes de levantar al paciente.
- **NO** utilice una eslinga a no ser que esté recomendada para su uso con el elevador.
- Verifique **SIEMPRE** que la eslinga es adecuada para el paciente en particular y que su tamaño y capacidad son correctos.
- **NUNCA** utilice una eslinga que esté deshilachada o dañada.
- Encaje **SIEMPRE** la eslinga de acuerdo con las instrucciones que se indican (instrucciones del usuario)
- **NO** supere la carga de trabajo de seguridad.
- Compruebe **SIEMPRE** que la carga de trabajo de seguridad del elevador es adecuada para el peso del paciente.
- Lleve **SIEMPRE** a cabo las operaciones de elevación de acuerdo con las instrucciones en el manual del usuario.
- **NUNCA** desconecte o deje de realizar un control de seguridad o característica de seguridad porque parezca más fácil para el funcionamiento del elevador.
- **NO** levante a un paciente con los frenos de las ruedas activados. Deje siempre que el elevador encuentre el centro correcto de gravedad.
- **NO** intente maniobrar el elevador empujando el mástil, el larguero o al paciente.
- Maniobre **SIEMPRE** el elevador con el mango / almohadillado de empuje para pies proporcionado.

- Haga **SIEMPRE** descender al paciente a la posición cómoda más baja posible antes de transferirlo.
- **NO** empuje un elevador cargado a velocidades que superen un ritmo de caminar lento (3 kilómetros/hora, 0,8 metros/segundo).
- **NO** empuje el elevador sobre terrenos desnivelados o con baches. Especialmente, si está cargado.
- **NO** intente empujar o tirar de un elevador cargado sobre una obstrucción en el suelo.
- **NUNCA** fuerce los controles de funcionamiento/seguridad. Todos los controles son fáciles de utilizar y no requieren el uso de fuerza excesiva.
- **NO** aparque un elevador cargado sobre NINGUNA superficie en cuesta.
- **NO** utilice elevadores eléctricos en una ducha.
- **NO** cargue un elevador eléctrico en un baño o en una ducha.
- **NO** levante a un paciente a no ser que esté entrenado y sea competente para hacerlo.
- **SU** elevador está destinado a levantar pacientes. NO lo utilice, ni permita que se utilice, para cualquier otro fin.
- **NO** lleve el elevador dando tumbos hacia abajo en escaleras, tanto si está cargado como si está descargado.
- **NO** intente pasar con un elevador cargado por una pendiente que supere 1:12 (aproximadamente 5 grados).
- **NO** intente pasar con el elevador por una pendiente sin que haya alguien para ayudarlo.
- **NO** lo utilice en un ambiente húmedo o corrosivo, como por ejemplo al lado de una piscina.

## 7. INSTRUCCIONES DE FUNCIONAMIENTO

### CONTROLES DE FUNCIONAMIENTO



#### 1. Ajuste de las patas

Las patas del Oxford/Hoyer Ascend son ajustables eléctricamente en cuanto a su anchura. Las patas pueden abrirse para permitir el acceso alrededor de sillas o de sillas de ruedas. Para transferir y para pasar por pasillos estrechos, las patas del elevador deben estar en posición cerrada.

Ajuste eléctrico de las patas – se consigue pulsando los botones apropiados en el control de mano. Las patas se bloquearán cuando se suelte el conmutador del control de mano.

#### 2. Ruedas y frenos

El elevador tiene dos ruedas con frenos, que se pueden aplicar para dejarlo aparcado. Cuando se realice la elevación, las ruedas deben dejarse libres y los frenos sin aplicar. De esta forma, el elevador podrá mover el centro de gravedad conforme se realiza la elevación. Si se aplican los frenos, será el paciente el que se mueva hacia el centro de gravedad y esto puede ser desconcertante e incómodo.

#### 3. Elevación y descenso del larguero

El movimiento del larguero se consigue mediante un potente actuador eléctrico, que está controlado por un sencillo control de mano. El control de mano tiene dos botones, con flechas direccionales ARRIBA y ABAJO. El actuador se detiene automáticamente en el límite del desplazamiento en ambas direcciones. El control de mano se enchufa en un enchufe en la base del cuadro de control.

#### **4. Parara de emergencia**

El botón de parada de emergencia rojo está situado en la parte delantera del cuadro de control y se activa pulsándolo. Al pulsarlo se interrumpe la alimentación eléctrica al elevador y sólo se puede desarmar girando el botón en sentido contrario a las agujas del reloj y soltándolo.

#### **5. Descenso/elevación eléctricos de emergencia**

Los botones de descenso (down) y elevación (up) de emergencia están situados en la parte delantera del cuadro de control. Se accionan insertando la punta de un bolígrafo en el botón marcado como  $\uparrow\downarrow$ . Esto hará que el larguero suba o baje si falla el control de mano en cualquier momento.

#### **6. Descenso mecánico de emergencia**

En el caso de fallo total del suministro eléctrico, el actuador eléctrico dispone de un dispositivo de descenso mecánico (CUBO ROJO). Esta característica sólo funcionará cuando el elevador tenga carga. Hay que tirar del dispositivo hacia arriba para activarlo y comenzará un lento descenso.

#### **7. Baterías**

Las baterías están protegidas ante descargas fuertes por una ALARMA DE VOLTAJE BAJO. Esta alarma emitirá un sonido cuando las baterías necesiten recargarse y se esté manejando el control de mano. No sonará si el control de mano no se está manejando. NO IGNORE ESTA ALARMA DE ADVERTENCIA. Complete la operación de elevación y ponga la batería a cargar (vea las instrucciones de carga).

#### **8. Eslingas**

El Oxford/Hoyer Ascend es adecuado para pacientes en las siguientes posiciones: SENTADO, SENTADO/REPOSTADO y REPOSTADO. Las eslingas adecuadas para este dispositivo son las siguientes

- Eslinga Oxford/Hoyer Transport
- Eslinga Oxford/Hoyer Standing

#### **9. Ajuste del almohadillado para las rodillas**

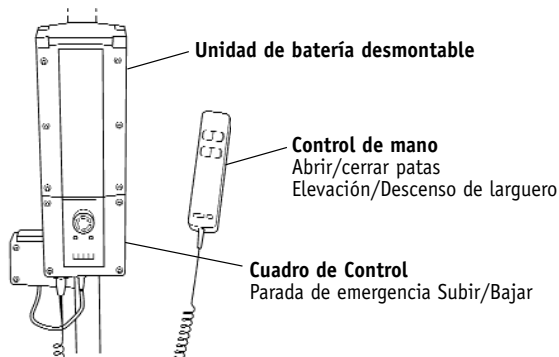
El Ascend tiene un almohadillado ajustable para las rodillas. El rango de desplazamiento es de 6 pulgadas (14,7 centímetros). El ajuste se consigue aflojando el botón situado en el lateral izquierdo del almohadillado, para aflojar el conjunto lo suficiente como para mover el almohadillado para las rodillas a la posición superior o inferior.

#### **10. Plataforma desmontable para los pies**

El Ascend tiene una plataforma para los pies. Para extraer la plataforma para los pies, póngase en la parte delantera del equipo y levante la plataforma para los pies desde la parte central del conjunto. NOTA Tenga cuidado al levantar la plataforma para los pies desde la posición de sentado baja.

## 8. INSTRUCCIONES PARA LA CARGA

Las baterías están situadas en la unidad de alimentación y se cargan por medio de un cargador de sobremesa.



Cuando haya que cargar la unidad de alimentación, habrá que extraerla del elevador y colocarla en el cargador de sobremesa.

Sunrise Medical Ltd recomienda comprar una unidad adicional de batería, para tener una de las dos unidades cargada en todo momento.

1. Extraiga la unidad de alimentación del elevador. La unidad está sujeta con un pestillo simple en la parte superior de la unidad de alimentación. Levante el pestillo y la unidad de alimentación quedará suelta.
2. Coloque la unidad de alimentación en el cargador. La colocación y sujeción de la unidad de alimentación al cargador se realiza por el mismo sistema que el empleado en el elevador.
3. Enchufe el cable del cargador a una fuente de alimentación eléctrica y ponga el conmutador en ON.
4. La carga es automática y las baterías quedarán completamente cargadas en un plazo de ocho a doce horas. Nota: Incluso si el cargador se deja enchufado durante mucho tiempo, no permitirá que las baterías se carguen en exceso.
5. Para volver a poner en funcionamiento el elevador, desconecte de la red poniendo el conmutador en OFF y retire la unidad de alimentación del cargador. Coloque la unidad de alimentación de nuevo en el elevador y asegúrese de que el pestillo que la sujeta está completamente cerrado. Cuando esté correctamente colocada, oirá un "clic". La carga del elevador eléctrico Oxford/Hoyer es sencilla y no tienen por qué surgir complicaciones, pero es importante seguir rigurosamente las instrucciones de carga. Preste especial atención a los siguientes aspectos; le ayudará a evitar los problemas que supone la descarga de las baterías.

**⚠ ADVERTENCIA**

MANTENGA las baterías completamente cargadas. Ponga la batería a cargar cuando no esté en uso. Si le resulta más cómodo, póngala a cargar cada noche. El cargador no permitirá que las baterías se sobrecarguen.

**⚠ ADVERTENCIA**

NUNCA deje que las baterías se descarguen completamente. Si suena la alarma audible, complete la operación de elevación que esté llevando a cabo y ponga a cargar la batería.

**⚠ ADVERTENCIA**

NO guarde nunca la unidad de alimentación durante un largo período de tiempo sin cargarla regularmente.

**⚠ ADVERTENCIA**

Asegúrese SIEMPRE de que la alimentación eléctrica que va al cargador está apagada antes de conectar o desconectar la unidad de alimentación.

**⚠ ADVERTENCIA**

NUNCA deje la unidad de alimentación enchufada en el cargador con la corriente eléctrica de red apagada.

**⚠ ADVERTENCIA**

NO cargue un elevador eléctrico en un baño o en una ducha.

## 9. PLAN DE MANTENIMIENTO Y LISTA DE COMPROBACIÓN DIARIA

Todos los productos Oxford/Hoyer requieren un mantenimiento mínimo; sin embargo, es necesario llevar a cabo algunas comprobaciones y procedimientos de seguridad. A continuación se indica un plan de tareas DIARIAS. Realizar comprobaciones diarias y mantenimiento, inspección y prueba cada seis meses asegurará que el elevador se mantiene en condiciones óptimas de funcionamiento. Si lo pide, le enviaremos una lista de piezas de repuesto.

La PRUEBA DE CARGA y la certificación sólo deben llevarse a cabo por personal cualificado o por un agente / concesionario de servicio autorizado.

LISTA DE COMPROBACIÓN DIARIA: Sunrise Medical recomienda encarecidamente realizar las siguientes comprobaciones de manera diaria y antes de utilizar el elevador.

- ASEGÚRESE de que el elevador se mueve libremente sobre sus ruedas.
- EXAMINE la barra de extensión (cuernos de vaca) para comprobar que está firmemente sujeta al larguero.
- EXAMINE los ganchos de la eslinga y los clips de sujeción en la barra de extensión y en el larguero para ver si tienen un desgaste excesivo.
- ASEGÚRESE de que las patas se abren y cierran correctamente.
- OPERE el control de mano para confirmar que el larguero sube y baja satisfactoriamente.
- EN elevadores movidos por energía eléctrica, verifique el funcionamiento del botón de parada de emergencia.
- EXAMINE las eslingas para ver si están deshilachadas o tienen otros daños. NO utilice una eslinga si está dañada.
- CONFIRME que el elevador no está emitiendo una alarma de batería baja cuando se maneja el control de mano. Si la alarma suena, NO utilice el elevador y póngalo a cargar inmediatamente.

### MANTENIMIENTO, INSPECCIÓN Y PRUEBA

Sunrise Medical recomienda realizar inspecciones y comprobaciones completas y periódicas del elevador Oxford/Hoyer Ascend, los accesorios de elevación, las eslingas, balanzas, etc. La frecuencia de la inspección varía según el país, consulte con su proveedor y/o con una oficina de la administración local con qué frecuencia debe realizarse una inspección. La inspección y la comprobación deben realizarse de acuerdo con las recomendaciones y procedimientos recomendados más abajo. Sunrise Medical recomienda que el mantenimiento, inspección y comprobación certificada los lleve a cabo un agente o proveedor de mantenimiento autorizado.

Nota: Estas recomendaciones se dan en cumplimiento de los requisitos de Salud y Seguridad N° 2307 de 1998: Normas relativas a Operaciones de Elevación y Equipo de Elevación de 1998. Esta norma es del Reino Unido. Fuera del Reino Unido, revise los requisitos aplicables a su país.

**\*ESTAS COMPROBACIONES DEBEN INCLUIR:**

	Inicialmente	Antes del uso	Intervalos de servicio
1. <b>LARGUERO:</b> Compruebe la sujeción del larguero al mástil. Asegúrese de que sólo exista un mínimo movimiento lateral del larguero y de que el larguero esté libre para girar en su rodamiento.	✓	✓	
2. <b>MÁSTIL:</b> Verifique el funcionamiento del dispositivo de bloqueo del mástil. Asegúrese de que el mástil encaja completamente en el alojamiento. Compruebe el actuador del larguero.	✓	✓	
3. <b>ACTUADOR:</b> El actuador no requiere más mantenimiento que comprobar que funciona correctamente y escuchar si hay ruidos inusuales.			✓
4. <b>UNIDAD DE ALIMENTACIÓN:</b> Verifique el funcionamiento del botón de parada de emergencia y del descenso de emergencia.	✓	✓	
5. <b>BATERÍAS:</b> Las baterías están alojadas en la unidad de alimentación eléctrica y no requieren ningún mantenimiento excepto su carga regular tal y como se detalla en las instrucciones de carga. Compruebe que las conexiones están limpias.			✓
6. <b>AJUSTE DE LAS PATAS:</b> Compruebe que las patas funcionan en toda su extensión (hacia dentro / hacia fuera)	✓	✓	
7. <b>RUEDAS:</b> Compruebe que todas las ruedas están firmemente sujetas a las patas. Verifique la libre rotación de las ruedas y de sus pivotes.	✓	✓	
8. <b>LIMPIEZA:</b> Limpie con jabón corriente y agua, y/o con cualquier desinfectante para superficies duras. Deben evitarse limpiadores químicos o abrasivos, ya que pueden dañar el acabado de la superficie del elevador. No moje ninguna pieza eléctrica.			✓
9. <b>PRUEBA DE CARGA:</b> La prueba de carga debe ser llevada a cabo de acuerdo con los procedimientos establecidos por el fabricante. Se recomienda encarecidamente que la comprobación sea realizada por un concesionario de servicio autorizado.			✓
10. <b>BASE Y RUEDAS:</b> Asegúrese de que la base está uniforme y nivelada. (las cuatro ruedas en contacto con el suelo).	✓	✓	
11. <b>ESLINGAS:</b> Vea si están desgastadas o deshilachadas.		✓	
12. <b>LUBRICACIÓN:</b> Lubrique las juntas de los pivotes, incluyendo las conexiones del mástil y del larguero, el conjunto de pedal, la junta de la barra de extensión (hágalo sólo si es necesario).			✓
13. <b>CONJUNTO DE MANO:</b> Asegúrese de que está bien enchufado al controlador	✓	✓	

## 10. ESPECIFICACIONES TÉCNICAS

Carga de trabajo segura.....	375 lbs	170 kgs
Longitud total máxima .....	43.3 pulgadas	1100 mm
Longitud total mínima .....	39.3 pulgadas	1000 mm
Altura total máxima .....	66.5 pulgadas	1690 mm
Altura total mínima .....	48.4 pulgadas	1230 mm
Altura máxima de la barra de extensión .....	64.7 pulgadas	1644 mm
Altura mínima de la barra de extensión .....	38.3 pulgadas	974 mm
Radio de giro.....	51.9 pulgadas	1320 mm
Patas abiertas - Anchura externa .....	39.1 pulgadas	995 mm
Patas abiertas - Anchura interna.....	34.8 pulgadas	885 mm
Patas cerradas - Anchura externa .....	24.8 pulgadas	630 mm
Patas cerradas - Anchura interna .....	20 pulgadas	510 mm
Widest Point (between support handles) .....	28.7 pulgadas	729 mm
Altura total de las patas .....	4.7 pulgadas	120 mm
Distancia al suelo.....	1.4 pulgadas	35 mm
Par de ruedas delanteras .....	4 pulgadas	100 mm
Ruedas traseras con freno .....	4 pulgadas	100 mm

### Pesos

Mástil, base y conjunto de larguero .....	97 lbs	44.0 kgs
Unidad de alimentación .....	6.6 lbs	3.0 kgs
Total .....	103.6 lbs	47.0 kgs
Conjunto de la base (sin incluir batería) .....	42.9 lbs	19.5 kgs
Mástil y larguero (sin incluir batería) .....	45.1 lbs	20.5 kgs

Todas las medidas tienen un grado de tolerancia de +5/-5 grados.

## ESPECIFICACIONES ELÉCTRICAS

BATERÍAS .....	12 voltios, tipo ácido de plomo selladas recargables
CAPACIDAD DE LA BATERÍA .....	3,2 amperios hora
ENTRADA NOMINAL DEL CARGADOR .....	230Vca 50/60 Hz
SALIDA NOMINAL DEL CARGADOR .....	27,4/29,0 VCC@0,8A

### Protección frente a descargas eléctricas

CARGADOR.....	CLASE II
ELEVADOR .....	FUENTE DE ALIMENTACIÓN INTERNA

### Grado de protección frente a descargas

CARGADOR.....	TIPO B
ELEVADOR .....	TIPO B

ENTORNO DE FUNCIONAMIENTO DESEADO:.....>+5° <+40°.

**En condiciones distintas a este entorno, la funcionalidad y la seguridad pueden verse comprometidas.**

## 11. GARANTÍA

Sunrise Medical ha establecido una red de distribuidores y proveedores de excelente reputación, que se ocuparán con mucho gusto de contestar todas sus preguntas respecto a compra, garantía, reparación y mantenimiento.

Nuestros productos están garantizados durante un plazo de 24 meses a partir de la fecha de fabricación o durante 24 meses a partir de la fecha de compra si han sido encargados por un distribuidor autorizado. Esta garantía cubre la estructura principal del elevador, así como el actuador y así como the motor cuadro de control, control de mano y batería contra defectos de fabricación / fallas.

Recomendamos que todos nuestros productos hayan sido encargados por su proveedor y que éste se ocupe de su mantenimiento. El proveedor o distribuidor es el encargado del programa de garantía, de manera que es importante mantener un registro de su nombre, dirección y número de teléfono para poder ponerse en contacto con él si surge algún problema.

El no cumplir con el horario de servicio del elevador puede ocasionar la anulación de su garantía.

Si tiene dudas respecto a dónde se ha comprado su elevador, Sunrise Medical puede averiguar quién fue el distribuidor si usted nos facilita el número de serie del elevador.

RECUERDE: Póngase en contacto con el distribuidor para compras, garantía, reparaciones, servicio técnico y mantenimiento certificado.

Su distribuidor:

## KONTAKTINFORMATIONEN DES HERSTELLERS



### EUROPA

#### Sunrise Medical Ltd

High Street, Wollaston, Stourbridge,  
West Midlands  
DY84PS UK  
+44 (0) 1384 44 66 22  
Fax: +44 (0) 1384 44 66 44  
[www.sunrisemedical.co.uk](http://www.sunrisemedical.co.uk)



### USA

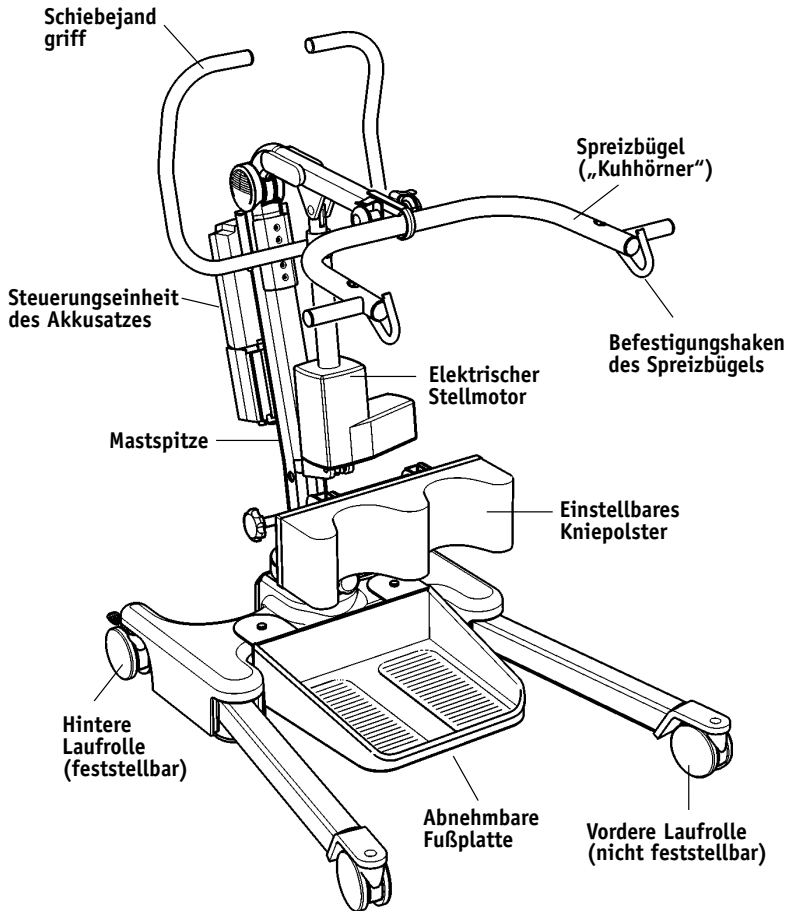
#### Sunrise Medical, Inc

5001 Joerns Drive  
Stevens Point, WI 54481-5040  
715-341-3600  
800-826-0270 (toll free)  
[www.sunrisemedical.com](http://www.sunrisemedical.com)

## INHALT

1. Oxford/Hoyer Ascend Patientenlifter .....	63
2. Einführung: Über den Lifter .....	64
3. Montage und Inbetriebnahme .....	65
4. Bedienungshinweise für Gurte .....	69
5. Heben Mit Einem Oxford/Hoyer Ascend .....	70
6. Sicherheitshinweise .....	71
7. Betriebshinweise .....	73
8. Aufladen der Akkueinheit.....	75
9. Wartungsplan und tägliche Prüfliste .....	77
10. Technische Daten .....	79
11. Garantie .....	81

## 1. OXFORD/HOYER ASCEND PATIENTENLIFTER



## 2. EINFÜHRUNG: ÜBER DEN LIFTER

Der Oxford/Hoyer Ascend ist ein elektrisch betriebener Patientenlifter. Der Ascend-Lifter wird vor der Auslieferung vollständig montiert, unter Last getestet und zertifiziert.

Die Verpackung besteht aus einem festen, zweckmäßig geformten Versandkarton für den sicheren Transport des Lifters und wird sowohl für den heimischen Markt als auch für den Export verwendet.

Mit jedem Lifter werden die zugehörigen Dokumente in einer beiliegenden Tasche geliefert, die für die spätere Verwendung sicher aufbewahrt werden müssen.

- PRÜFZERTIFIKAT
- BENUTZERHANDBUCH
- HÄNDLER-GARANTIEKARTE (Nur in Europa)
- KUNDENDIENST-KARTE (Nur in Europa)
- PACKPRÜFLISTE

Das PRÜFZERTIFIKAT ist ein wichtiges Dokument und ist für Ihre Versicherungsdokumentation erforderlich. Es ist sechs Monate lang gültig, und nach Ablauf dieser Zeit muss der Lifter gemäß Wartungsplan inspiziert und gewartet werden.

Die Wartung und regelmäßige Überprüfung kann durch Ihren autorisierten Lieferanten erfolgen. Vergewissern Sie sich, dass der Lifter im entsprechenden Wartungskalender eingetragen ist. Wenn Sie unsicher sind, welche Wartungsanforderungen für Ihren lokalen Markt gelten, erkundigen Sie sich bei Ihrem Händler und/oder bei der zuständigen Behörde.

Der Oxford/Hoyer Ascend eignet sich für folgende KATEGORIEN von Hebevorgängen im Rahmen der Arbeitsparameter des Lifters, die unter TECHNISCHE DATEN angegeben sind.

- Kategorie A – Rollstuhl
- Kategorie D – Toilette/Duschsitz

### Das CE-Zeichen:



Der Oxford/Hoyer Ascend trägt das CE-Zeichen und erfüllt die folgenden EU-Richtlinien:

- Richtlinie über Medizinprodukte (93/42/EWG)
- EMC-Verordnung (89/336/EWG)
- Niederspannungsrichtlinie (73/23/EWG)

### 3. MONTAGE UND INBETRIEBNAHME

Stellen Sie den Versandkarton in einem freien Arbeitsbereich auf und öffnen Sie ihn vorsichtig. Der Karton enthält folgende Teile:

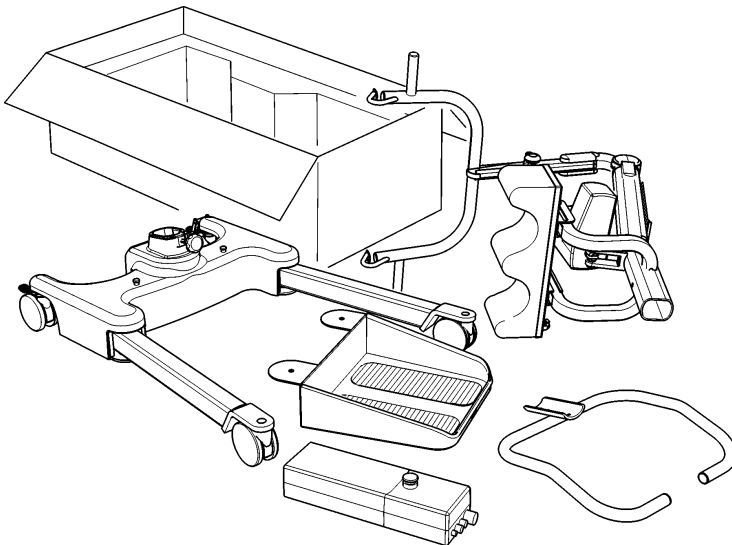
- OXFORD/HOYER ARISE LIFTER
- TASCHE MIT DOKUMENTEN
- HANDBEDIENUNG
- AKKUEINHEIT
- LADEKABEL
- TISCHLADEGERÄT/STÄNDER

#### **⚠ WARNUNG**

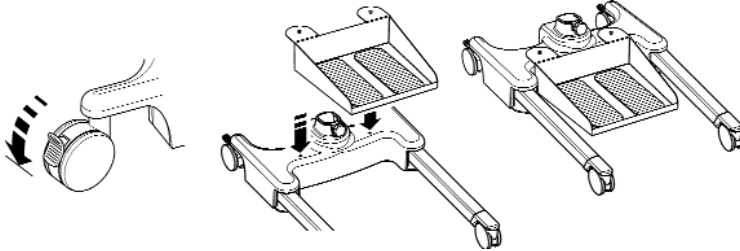
**Der Oxford/Hoyer Ascend ist schwer und muss vorsichtig gehoben werden.  
Holen Sie sich Hilfe, um den Oxford/Hoyer Ascend aus dem Karton zu heben.**

#### **MONTAGE**

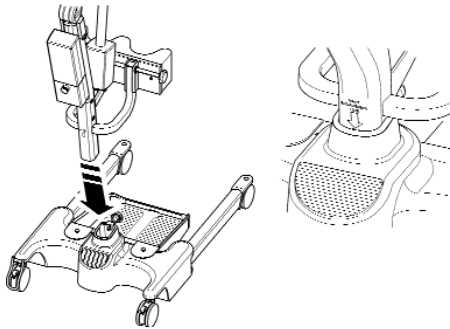
Nehmen Sie alle Teile aus dem Karton heraus, legen Sie sie auf den Boden und achten Sie darauf, dass die Oberfläche des Geräts nicht beschädigt wird.



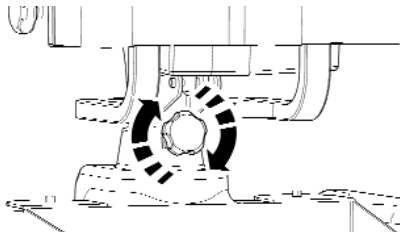
1. Stellen Sie den Rahmen an einer freien Stelle auf, und verriegeln Sie die hinteren Feststellbremsen. Befestigen Sie das Fußtablett an die Basis, indem Sie die Positionierungslöcher auf dem Gussteil der Basis benutzen.



2. Stecken Sie die Mast/Ausleger-Baugruppe in die entsprechende Buchse des Rahmens.



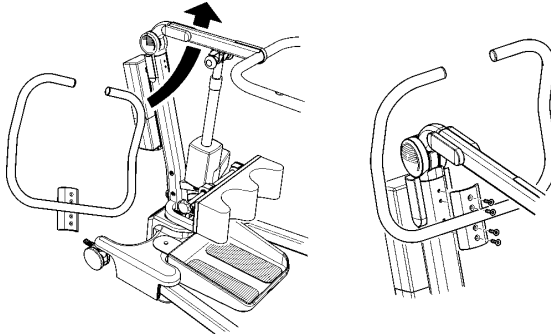
3. Ziehen Sie den Mast mit dem Mast-Feststellknopf fest, der sich vorne am Rahmen befindet.



### **⚠ WARNUNG**

**Quetschgefahr:** Halten Sie die Finger vom Mastende fern, wenn Sie den Mast in die Rahmenbuchse einsetzen. Das Etikett auf der Mastseite zeigt an, wann der Mast vollständig eingesetzt ist. Erst wenn der Mast ganz eingesetzt ist, ist das elektrische Fahrgestell funktionsbereit.

4. Drehen Sie den Feststellknopf mit der Hand fest.
5. Richten Sie die Handgriff-Einheit mit dem Mast aus, und befestigen Sie sie mit den mitgelieferten Schrauben. Die Schrauben und der zur Befestigung des Handgriffs benötigte Schraubenschlüssel sind in der Gebrauchsanweisungstasche aufbewahrt.



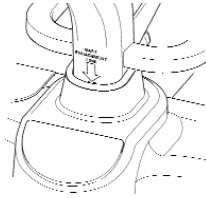
6. Setzen Sie die Akkueinheit in den Lifter ein und vergewissern Sie sich, dass der Verschluss, der die Einheit an ihrem Platz hält, vollständig eingerastet ist. Die Einheit muss mit einem klackenden Geräusch einrasten.

## DEMONTAGE

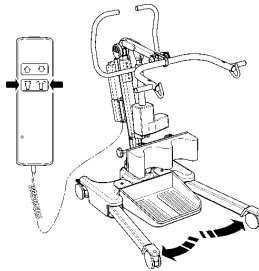
Der Lifter sollte nur bei Bedarf für Wartung, Reparatur oder Transport demontiert werden. Hierzu befolgen Sie die Montageanweisungen in umgekehrter Reihenfolge.

### PRÜFEN SIE VOR DEM BETRIEB STETS DIE FOLGENDEN PUNKTE:

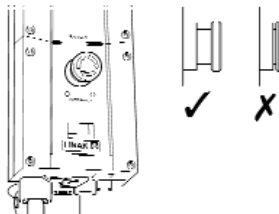
- Der Mast ist ordnungsgemäß eingerastet.



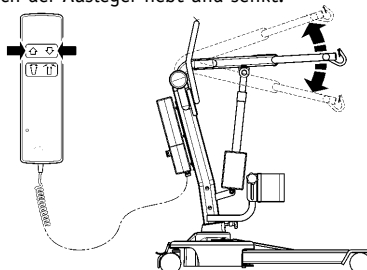
- Das Fahrgestell des Lifters lässt sich einwandfrei spreizen und zusammenführen.  
(Dies geschieht über die Handbedienung.)



- Der rote Not-Aus-Knopf auf der Rückseite der Steuereinheit befindet sich in der Position OFF (Aus).



- Drücken Sie die Aufwärts- und Abwärts-Tasten auf der Handbedienung und vergewissern Sie sich, dass sich der Ausleger hebt und senkt.



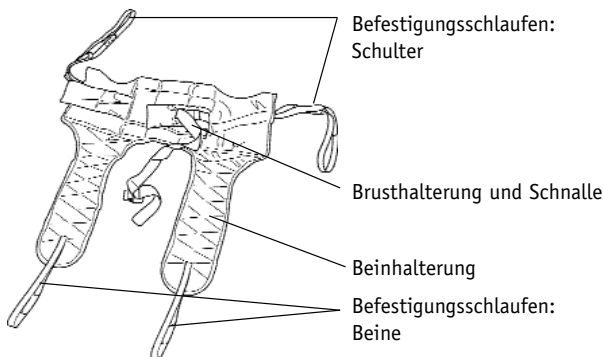
## 4. BEDIENUNGSHINWEISE FÜR GURTE

Der Oxford/Hoyer Ascend eignet sich für Patienten in SITZENDER, SITZENDER/LIEGENDER und LIEGENDER Position. Folgende Gurte sind für dieses Gerät geeignet:

- Oxford/Hoyer Transportgurt
- Oxford/Hoyer Standgurt

Bedienungshinweise für Standhilfegurte: Der Transport- und Standgurt ist ein leicht anzupassender Gurt, der sich für Stand und Unterstützung eignet. Er ist kein Allzweckgurt, weshalb eine qualifizierte Person überprüfen muss, ob sie für die Patienten geeignet sind.

### Transportgurt



Führen Sie den Gurt über den Rücken des Patienten nach unten, wobei das Ende der bequemen Öffnung über die Wirbelsäulenbasis kommt. Prüfen Sie, ob der Rollteil des Gurts rechtwinklig über den Rücken des Patienten angelegt ist.

Binden Sie den Stützriemen um den Brustkorb des Patienten. Dieser Riemen braucht nicht eng anliegen. Er dient dazu, den Gurt in seiner Position zu halten, während die Schlingen an der Standhilfe befestigt werden. Er kann auf Wunsch auch ganz weggelassen werden. Vergewissern Sie sich, dass sich die Arme des Patienten außerhalb der Gurtes befinden.

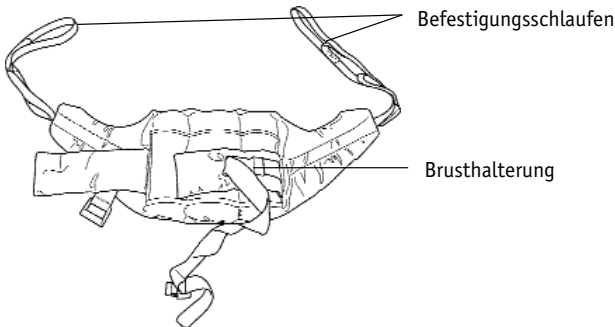
Heben Sie das Bein des Patienten und führen Sie den Beinriemen unter dem Bein hindurch und zwischen den Beinen nach oben. Vergewissern Sie sich, dass die Schlinge unter dem Oberschenkel nicht verdreht oder geknickt ist. Wiederholen Sie diese Prozedur für das andere Bein. Befestigen Sie die Schlingen am Rollteil des Gurts an den weißen Haken am Ende der Handgriffe.

Befestigen Sie die Schlingen an den Beinriemen, ohne sie zu überkreuzen, am linken und rechten schwarzen Knopf der Hubgabel. Normalerweise wird die mittlere der drei

Schlingen verwendet. Der Patient kann nun von seinem Sitz gehoben werden. Sobald er den Sitz nicht mehr berührt, wird er mehr Bequemlichkeit empfinden, wenn er wieder in die Sitzposition abgesenkt wird.

Sunrise Medical empfiehlt, regelmäßig und vor Gebrauch die Gurte auf Ausfransungen oder andere Schäden zu prüfen. Verwenden Sie keine Gurte, die abgenutzt oder beschädigt sind.

### Standgurt



Platzieren Sie den Gurt hinten am Rücken des Patienten zwischen Schulterblattbasis und unterem Ende des Brustkorbs. Binden Sie den Stützriemen vorne um den Patienten. Dieser Riemen braucht nicht eng anliegen. Er dient dazu, den Gurt in seiner Position zu halten, während die Schlingen an der Standhilfe befestigt werden. Er kann auf Wunsch auch ganz weggelassen werden. Vergewissern Sie sich, dass sich die Arme des Patienten außerhalb des Gurtes befinden.

### **⚠️ WARNUNG**

**Schlingen und Lifter von Oxford/Hoyer sind nicht mit Produkten anderer Hersteller ersetzbar oder austauschbar. Der Einsatz von Produkten anderer Hersteller mit denen von Oxford/Hoyer ist nicht sicher und könnte den Patienten und/oder Betreuer schwer verletzen.**

## 5. HEBEN MIT EINEM OXFORD/HOYER ASCEND

Stellen Sie die Standhilfe so auf, dass die Füße des Patienten in den Fußhalter passen und die Knie am Kniepolster anliegen. Befestigen Sie die längeren Schlingen des Gurts zunächst an den grauen Haken am Ende der Handgriffe der Standhilfe. Die Hände des Patienten sollten auf den Handgriffen liegen. (Ist der Patient erst an den Lifter gewöhnt, können die kürzeren Schlingen verwendet werden, um eine aufrechtere Position zu erhalten.) Dann drücken Sie auf der Handbedienung die Taste NACH OBEN, um den Patienten in die Standposition zu heben.

## 6. SICHERHEITSHINWEISE

Lesen und befolgen Sie die nachfolgend aufgeführten Sicherheitshinweise. Betrieb und Funktionsweise des Oxford/Hoyer Patientenlifters sind einfach und direkt. Wenn Sie diese grundlegenden Sicherheitsvorkehrungen beachten, ist der Hebebetrieb leicht und problemlos.

**DER „ASCEND“ LIFTER DARF NUR VON PERSONEN VERWENDET WERDEN, DIE DIESES BENUTZERHANDBUCH GELESEN UND VERSTANDEN HABEN.**

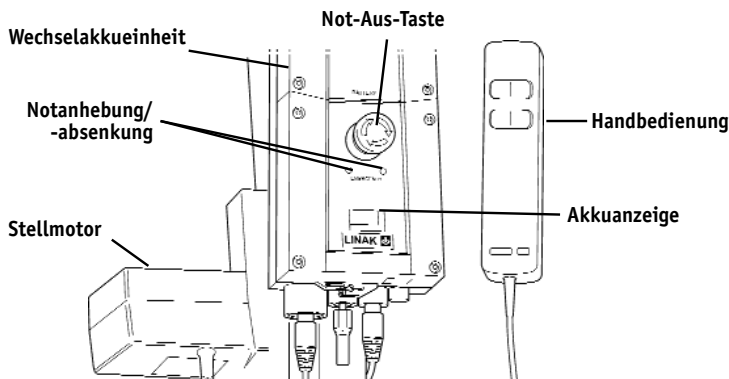
### **WARNUNG**

- Planen Sie die mit dem Lifter auszuführenden Aufgaben **STETS**, bevor Sie beginnen.
- Gehen Sie vor **JEDEM** Einsatz des Lifters die TÄGLICHE PRÜFLISTE durch.
- Machen Sie sich vor **JEDEM** Heben von Patienten mit den Bedienungselementen und Sicherheitseinrichtungen des verwendeten Lifters vertraut.
- Verwenden Sie **KEINE** Gurte, die nicht ausdrücklich zur Verwendung mit diesem Lifter empfohlen werden.
- Prüfen Sie **STETS**, ob der Gurt für den speziellen Patienten geeignet ist und die korrekte Größe und Tragfähigkeit besitzt.
- Verwenden Sie **NIEMALS** Gurte, die ausgefranst oder beschädigt sind.
- Passen Sie die Gurte **STETS** gemäß den Anweisungen (Benutzerhandbuch) an.
- Überschreiten Sie **NICHT** die zulässige Arbeitsbelastung.
- Vergewissern Sie sich **STETS**, dass die zulässige Arbeitsbelastung des Lifters für das Gewicht des Patienten ausreicht.
- Bedienen Sie den Lifter **STETS** gemäß den Anweisungen im Benutzerhandbuch.
- Bedienungs- oder Sicherheitselemente dürfen **AUF KEINEN FALL** entfernt oder außer Kraft gesetzt werden, um den Lifter-Betrieb zu vereinfachen.
- Heben Sie Patienten **NIEMALS** mit festgestellten Laufrollen an. Der Lifter muss sich stets auf den richtigen Schwerpunkt positionieren können.
- Manövrieren Sie den Lifter **NIEMALS** durch Schieben am Mast, Ausleger oder am Patienten.
- Manövrieren Sie den Lifter **STETS** mit dem vorhandenen Handgriff / Fußschiebepedal.

- Senken Sie den Patienten vor Beginn des Transfers **STETS** auf die niedrigste bequeme Position.
- Schieben Sie den beladenen Lifter **NICHT** bei Geschwindigkeiten, die über einer langsamen Schrittgeschwindigkeit liegen (3 km/h, 0,8 m/s).
- Schieben Sie den Lifter **NICHT** über unebene oder raue Flächen, insbesondere wenn er beladen ist.
- Schieben/ziehen Sie den beladenen Lifter **NICHT** über Hindernisse am Boden.
- Betätigen Sie die Bedienungs-/Sicherheitselemente **NIEMALS** mit Gewalt. Alle Elemente sind leichtgängig und ohne größere Kraftanstrengung zu betätigen.
- Parken Sie den beladenen Lifter **NICHT** auf schiefen Ebenen.
- Verwenden Sie elektrische Lifter **NICHT** in Duschbädern.
- Laden Sie elektrische Lifter **NICHT** in Bädern oder Duschräumen auf.
- Heben Sie **KEINE** Patienten, wenn Sie nicht dafür ausgebildet und kompetent sind.
- IHR Lifter ist zum Heben von Patienten konzipiert worden. Er darf von Ihnen oder anderen für **KEINE** anderen Zwecke verwendet werden.
- Der Lifter darf in beladenem oder in unbeladenem Zustand **KEINE** Stufen herunter geschoben werden.
- Führen Sie den beladenen Lifter **NICHT** über schiefe Ebenen mit mehr als 1:12 (ca. 5 Grad) Gefälle.
- Führen Sie den Lifter **NICHT** ohne zweiten Helfer über schiefe Ebenen.
- Verwenden Sie ihn **NICHT** in einer feuchten oder korrosiven Umgebung wie z. B. an einem Schwimmbecken.

## 7. BETRIEBSHINWEISE

### BEDIENUNG



#### 1. Einstellen der Fahrgestellbreite

Die Breite des Fahrgestells am Oxford/Hoyer Ascend ist elektrisch einstellbar. Das Fahrgestell kann gespreizt werden, um Sessel oder Rollstühle zu umschließen. Für den Transfer durch enge Türen und Durchgänge sollte das Fahrgestell zusammengeführt werden.

Elektrisches Einstellen der Fahrgestellbreite – Drücken Sie auf der Handbedienung die entsprechenden Tasten. Das Fahrgestell wird festgestellt, wenn der Handbedienungsschalter losgelassen wird.

#### 2. Laufrollen und Feststellbremsen

Der Lifter besitzt zwei feststellbare Laufrollen, die beim Abstellen benutzt werden. Beim Heben müssen die Laufrollen frei und nicht festgestellt sein. Der Lifter kann sich dann zum Schwerpunkt des Lifters hin bewegen. Wenn Sie die Bremse betätigen, kann der Patient beim Heben mit festgestellten Laufrollen möglicherweise zum Schwerpunkt schwenken, was beunruhigend oder unangenehm sein kann.

#### 3. Heben und Senken des Auslegers

Die Hubbewegung des Auslegers erfolgt durch einen leistungsstarken elektrischen Stellmotor, der mit einer einfachen Handbedienung gesteuert wird. Auf der Handbedienung befinden sich zwei Tasten mit den Richtungspfeilen AUFWÄRTS und ABWÄRTS. Der Stellmotor stoppt automatisch in der oberen bzw. unteren Endlage. Die Handbedienung ist an einer Buchse unten an der Steuereinheit angeschlossen.

#### 4. Not-Aus-Taste

Die rote Not-Aus-Taste befindet sich auf der Vorderseite der Steuereinheit und wird durch Drücken ausgelöst. In diesem Fall wird die gesamte Stromzufuhr zum Lifter unterbrochen. Um den Not-Aus-Zustand aufzuheben, wird die Taste gegen den Uhrzeigersinn gedreht und losgelassen.

#### 5. Elektrische Notabsenkung/-anhebung

Die Taste für die Notabsenkung (Abwärts) und -anhebung (Aufwärts) befindet sich auf der Vorderseite der Steuereinheit. Sie wird ausgelöst, indem Sie eine Kugelschreiberspitze auf die mit  $\uparrow\downarrow$  gekennzeichnete Taste drücken. Mit dieser Funktion kann der Ausleger jederzeit gehoben oder gesenkt werden, wenn die Handbedienung ausfällt.

#### 6. Mechanische Notabsenkung

Für den Fall eines kompletten Stromausfalls ist der elektrische Stellmotor mit einem mechanischen Senkmechanismus (ROTER KNOPF) ausgestattet. Der Mechanismus funktioniert nur, wenn sich der Lifter unter Last befindet. Zum Auslösen ziehen Sie den Mechanismus nach oben. Die Vorrichtung senkt sich langsam ab.

#### 7. Akkus

Die Akkus werden durch einen LADEZUSTANDSALARM vor zu starker Entladung geschützt. Dieser Alarm ertönt bei Betätigung der Handbedienung, wenn die Akkus aufgeladen werden müssen. Der Alarmton wird nur dann ausgelöst, wenn die Handbedienung betätigt wird. **DIESER ALARM IST UNBEDINGT ZU BEACHTEN.** Führen Sie den Hebevorgang zu Ende und laden Sie die Akkus auf (siehe „Aufladen der Akkueinheit“).

#### 8. Gurte

Der Oxford/Hoyer Ascend eignet sich für Patienten in SITZENDER, SITZENDER/LIEGENDER und LIEGENDER Position. Folgende Gurte sind für dieses Gerät geeignet:

- Oxford/Hoyer Transportgurt
- Oxford/Hoyer Standgurt

#### 9. Einstellen des Kniepolsters

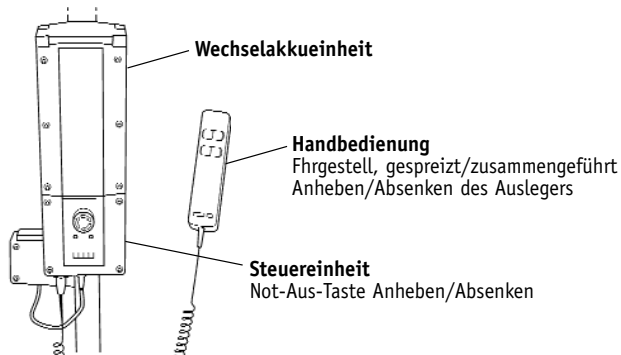
Der Ascend hat ein einstellbares Kniepolster. Der Bewegungsumfang beträgt ca. 15 cm. Das Kniepolster wird eingestellt, indem der Knopf auf der linken Seite des Polsters gelöst wird, sodass die Baugruppe lose genug ist, um das Kniepolster entweder nach oben oder nach unten zu bewegen.

#### 10. Entfernbarer Fußplatte

Der Ascend besitzt eine entfernbare Fußplatte. Um die Fußplatte zu entfernen, stellen Sie sich vor das Gerät und heben Sie die Fußplatte von der Mitte der Baugruppe aus nach oben. **HINWEIS:** Heben Sie die Fußplatte vorsichtig von ihrer unteren Position hoch.

## 8. AUFLADEN DER AKKUEINHEIT

Die Akkus befinden sich in der Akkueinheit und werden über eine externe Tischladeeinheit aufgeladen.



Wenn die Akkueinheit aufgeladen werden muss, wird sie vom Lifter entfernt und an eine externe Ladeeinheit angeschlossen.

Sunrise Medical Ltd empfiehlt, eine Ersatz-Akkueinheit zu kaufen, sodass eine Einheit ständig geladen sein kann.

1. Entfernen Sie die Akkueinheit aus dem Lifter. Die Einheit ist mit einem einfachen Verschluss befestigt, der sich oben auf der Akkueinheit befindet. Wenn Sie den Verschluss anheben, wird die Akkueinheit freigegeben.
2. Schließen Sie die Akkueinheit an die Ladeeinheit an. Die Position und Befestigung der Akkueinheit an der Ladeeinheit ist dieselbe wie am Lifter.
3. Stecken Sie den Netzstromstecker des Ladegeräts in eine geeignete Netzsteckdose, und schalten Sie die Stromversorgung EIN.
4. Der Ladevorgang erfolgt automatisch, und die Akkus werden innerhalb acht bis zwölf Stunden vollständig aufgeladen. Hinweis: Auch wenn das Ladegerät längere Zeit angeschlossen bleibt, sind die Akkus vor Überladung geschützt.
5. Um den Lifter wieder in Betrieb zu nehmen, schalten Sie die Stromversorgung AUS und entfernen Sie die Akkueinheit vom Ladegerät. Setzen Sie die Akkueinheit in den Lifter ein und vergewissern Sie sich, dass der Verschluss, der die Einheit an ihrem Platz hält, vollständig eingerastet ist. Die Einheit muss mit einem klickenden Geräusch einrasten. Das Aufladen elektrischer Oxford/Hoyer Lifter ist einfach und direkt, aber es ist wichtig, die Ladeanweisungen genau zu befolgen. Beachten Sie bitte die folgenden Punkte, die Ihnen dabei helfen, Probleme mit entladenen Akkus zu vermeiden.

**⚠ WARNUNG**

Die Akkueinheit STETS voll aufladen. Lassen Sie die Akkueinheit immer aufladen, wenn sie nicht benutzt wird. Wenn es für Sie praktischer ist, laden Sie sie jede Nacht auf. Das Ladegerät schützt die Akkueinheit vor Überladen.

**⚠ WARNUNG**

Die Akkueinheit NIEMALS vollständig entladen. Sobald der Ladezustandsalarm ertönt, führen Sie den gerade ausgeführten Hebevorgang zu Ende und beginnen den Aufladevorgang.

**⚠ WARNUNG**

Die Akkueinheit STETS in regelmäßigen Abständen nachladen, wenn sie längere Zeit nicht verwendet wird.

**⚠ WARNUNG**

STETS darauf achten, dass die Netzspannung zum Ladegerät ausgeschaltet ist, bevor das Ladegerät angeschlossen oder abgetrennt wird.

**⚠ WARNUNG**

Die Akkueinheit NIEMALS am Ladegerät angeschlossen lassen, wenn die Netzspannung ausgeschaltet ist.

**⚠ WARNUNG**

Laden Sie elektrische Lifter NICHT in Bädern oder Duschräumen auf.

## 9. WARTUNGSPLAN UND TÄGLICHE PRÜFLISTE

Alle Oxford/Hoyer Produkte sind so konzipiert, dass sie nur ein Minimum an Wartung benötigen. Einige Sicherheitsprüfungen und -prozeduren sind jedoch unerlässlich. Im Folgenden sind die TÄGLICH auszuführenden Aufgaben aufgeführt. Tägliche Überprüfungen und alle sechs Monate Wartung, Inspektion und Prüfung gewährleisten, dass ein Lifter in optimalem, sicherem Funktionszustand bleibt. Eine Liste der Ersatzteile erhalten Sie auf Anfrage.

Die BELASTUNGSPRÜFUNG und -zertifizierung sollte nur von qualifiziertem Personal oder von autorisierten Servicevertretern / Händlern durchgeführt werden.

TÄGLICHE PRÜFLISTE: Sunrise Medical empfiehlt dringend, dass der Lifter täglich vor der Benutzung auf folgende Punkte überprüft wird:

- VERGEWISSEN SIE SICH, dass sich der Lifter frei auf den Laufrollen bewegen kann.
- UNTERSUCHEN SIE, ob der Spreizbügel („Kuhhörner“) fest am Ausleger angebracht ist.
- PRÜFEN SIE Gurthaken und Verbindungsclips am Spreizbügel und Ausleger auf übermäßigen Verschleiß.
- VERGEWISSEN SIE SICH, dass das Fahrgestell sich einwandfrei öffnet und schließt.
- BETÄTIGEN SIE die Handbedienung, um sicherzustellen, dass sich der Ausleger einwandfrei hebt und senkt.
- PRÜFEN SIE die Funktionsfähigkeit der Not-Aus-Taste (nur bei Elektro-Ausführung).
- PRÜFEN SIE Gurte auf Ausfransungen und andere Schäden. Beschädigte Gurte dürfen NICHT verwendet werden.
- PRÜFEN SIE, ob am Lifter ein Ladezustandsalarm vorliegt, wenn die Handbedienung betätigt wird, Wenn der Alarm ertönt, darf der Lifter NICHT verwendet werden und muss sofort aufgeladen werden.

### WARTUNG, INSPEKTION UND PRÜFUNG

Sunrise Medical empfiehlt eine regelmäßige gründliche Inspektion und Prüfung des Oxford/Hoyer Ascend Lifters und der Zubehörteile (Gurte, Waagen usw.). Die Häufigkeit der Inspektionen hängt von dem jeweiligen Land ab und muss wie erforderlich mit Ihrem Vertriebshändler und/oder einer zuständigen Aufsichtsbehörde abgeklärt werden. Untersuchung und Prüfung sollten entsprechend der nachfolgenden Empfehlungen und Prozeduren erfolgen. Sunrise Medical empfiehlt, dass Wartung, Inspektion und zertifizierte Prüfungen nur von autorisierten Servicevertretern / Händlern durchgeführt werden.

**HINWEIS:** Diese Empfehlungen entsprechen den Vorschriften für Großbritannien und Nordirland gemäß No2307 Health and Safety: The Lifting Operations and Lifting Equipment Regulations 1998 (Vorschriften zur Arbeitssicherheit für Hebevorgänge und Lifter). Außerhalb von Großbritannien und Nordirland gelten die Vorschriften des jeweiligen Landes.

**\*DIESE PRÜFUNGEN SOLLTEN UMFASSEN:**

	Anfangs	Vor dem Gebrauch	Wartungsintervalle
2. <b>AUSLEGER:</b> Prüfen Sie die Verbindung von Ausleger und Mast. Stellen Sie sicher, dass der Ausleger sich nur geringfügig seitlich bewegen und sich frei im Lager des Auslegers drehen kann.	✓	✓	
3. <b>MAST:</b> Prüfen Sie die Funktion des Mast-Feststellknopfes. Achten Sie darauf, dass der Mast in der entsprechenden Buchse einrastet. Prüfen Sie den unteren Stellmotor.	✓	✓	
4. <b>STELLMOTOR:</b> Der Stellmotor muss, abgesehen vom Prüfen auf korrekten Betrieb und außergewöhnliche Geräusche, nicht gewartet werden.			✓
5. <b>AKKUEINHEIT:</b> Prüfen Sie die Funktion der Not-Aus-Taste und der Notabsenkung.	✓	✓	
6. <b>AKKUS:</b> Die Akkus befinden sich in der Akkueinheit und müssen, abgesehen vom regelmäßigen Aufladen (siehe „Aufladen der Akkueinheit“), nicht gewartet werden. Achten Sie darauf, dass die Anschlüsse sauber bleiben.			✓
7. <b>EINSTELLEN DER FAHRGESTELBREITE:</b> Prüfen Sie, dass das Fahrgestell nach innen und nach außen in vollem Umfang verstellt werden kann.	✓	✓	
8. <b>LAUFROLLEN:</b> Prüfen Sie, dass die Laufrollen fest mit dem Fahrgestell verbunden sind. Vergewissern Sie sich, dass die Laufrollen frei beweglich sind.	✓	✓	
9. <b>REINIGUNG:</b> Verwenden Sie zum Reinigen herkömmliche Seife und Wasser und/oder Desinfektionsmittel für harte Oberflächen. Starke chemische Reinigungsmittel oder Scheuermittel sollten nicht verwendet werden, da diese die Oberfläche des Lifters angreifen. Setzen Sie die elektrischen Teile keiner Feuchtigkeit aus.			✓
10. <b>BELASTUNGSPRÜFUNG:</b> Die Belastungsprüfung sollte gemäß den Prüfverfahren des Herstellers durchgeführt werden. Es wird eindringlich empfohlen, dass die Prüfungen nur von autorisierten Servicevertretern durchgeführt werden.			✓
11. <b>FAHRGESTELL UND ROLLEN:</b> Vergewissern Sie sich, dass das Fahrgestell auf glattem, ebenem Boden steht. (alle vier Rollen haben Bodenkontakt)	✓	✓	
12. <b>GURTE:</b> Prüfen Sie auf Verschleiß und Ausfransung.		✓	
13. <b>SCHMIERUNG:</b> Schmieren Sie alle Drehgelenke, einschließlich Mast- und Auslegeranschlüsse, Pedal, Spreizbügelgelenk (nur nach Bedarf).			✓
14. <b>HANDBEDIENUNG:</b> Vergewissern Sie sich, dass sie vollständig in die Steuerung gesteckt ist.	✓	✓	

## 10. TECHNISCHE DATEN

Zulässige Belastung .....	375 lbs	170 kgs
Maximale Gesamtlänge .....	43,3 Zoll	1100 mm
Minimale Gesamtlänge .....	39,3 Zoll	1000 mm
Maximale Gesamthöhe.....	66,5 Zoll	1690 mm
Minimale Gesamthöhe.....	48,4 Zoll	1230 mm
Spreizbügel, maximale Höhe .....	64,7 Zoll	1644 mm
Spreizbügel, minimale Höhe.....	38,3 Zoll	974 mm
Wenderadius .....	51,9 Zoll	1320 mm
Fahrgestell, gespreizt – Äußere Breite .....	39,1 Zoll	995 mm
Fahrgestell, gespreizt – Innere Breite .....	34,8 Zoll	885 mm
Fahrgestell, geschlossen – Äußere Breite .....	24,8 Zoll	630 mm
Fahrgestell, geschlossen – Innere Breite .....	20 Zoll	510 mm
Widest Point (between support handles) .....	28.7 Zoll	729 mm
Gesamthöhe des Fahrgestells .....	4,7 Zoll	120 mm
Bodenabstand .....	1,4 Zoll	35 mm
Doppellaufrollen vorne .....	4 Zoll	100 mm
Laufrollen mit Feststellbremse hinten .....	4 Zoll	100 mm

### Gewicht

Mast, Fahrgestell, Ausleger .....	97 lbs	44,0 kgs
Akkueinheit.....	6,6 lbs	3.0 kgs
Gesamt.....	103,6 lbs	47,0 kgs
Fahrgestell (ohne Akku) .....	42,9 lbs	19.5 kgs
Mast und Ausleger (ohne Akku) .....	45,1 lbs	20,5 kgs

Alle Maßangaben mit +5/-5 Grad Toleranz.

**ELEKTRISCHE DATEN**

AKKUS .....	12 V, wiederaufladbar, geschlossene Blei/Säure-Akkus
AKKUKAPAZITÄT.....	3,2 Ah
EINGANGSSPANNUNG DES LADEGERÄTS (NENNWERT) .....	230 V Wechselstrom, 50/60 Hz
AUSGANGSSPANNUNG DES LADEGERÄTS (NENNWERT) .....	27,4/ 29,0 V Gleichspannung bei 0,8 A

**ÜBERSPANNUNGSSCHUTZ**

LADEGERÄT .....	KLASSE II
LIFTER .....	INTERNE SPANNUNGSQUELLE

**STOSSFESTIGKEIT**

LADEGERÄT .....	TYP B
LIFTER .....	TYP B

VORGESEHENE UMGEBUNGSBEDINGUNGEN FÜR DEN BETRIEB .....>+5 °C <+40 °C.

**Außerhalb dieser Umgebungsbedingungen sind Funktionsfähigkeit und Sicherheit eventuell beeinträchtigt.**

## **11. GARANTIE**

Sunrise Medical verfügt über ein Netzwerk von renommierten Vertriebspartnern und Händlern, die Ihre Kauf-, Garantie-, Reparatur- und Wartungsanfragen gerne bearbeiten.

Wir gewähren eine Produktgarantie von 24 Monaten ab Herstellungsdatum oder 24 Monate ab Verkaufsdatum, sofern das Produkt über einen autorisierten Händler bestellt worden ist. Die Gewährleistung gilt für den Lifter mit Hauptaufbau, Stellmotor und Steuereinheit, Handbedienung und Akkusatz für Herstellungsfehler/Ausfälle.

Wir empfehlen, dass alle unsere Produkte durch Ihren Händler bestellt werden, der auch zukünftige Wartungen durchführen kann. Der Händler oder Vertriebspartner ist für das Garantieprogramm zuständig. Daher ist es wichtig, dass Sie seinen Namen, seine Adresse und Telefonnummer aufbewahren, damit Sie bei Problemen sofort Kontakt aufnehmen können.

Die Nichteinhaltung des Wartungsplans des Lifters kann Ihre Garantie u.U. außer Kraft setzen.

Wenn Sie nicht genau wissen, wo Ihr Lifter gekauft wurde, kann Sunrise Medical den Lieferanten ermitteln, wenn Sie die Seriennummer des Lifters angeben.

**DENKEN SIE DARAN:** Bei Käufen, Garantiefragen, Reparaturen, Wartungen und zertifizierten Inspektionen wenden Sie sich bitte an den Vertriebspartner.

Ihr Vertriebspartner:







[www.sunrisemedical.com](http://www.sunrisemedical.com)

---

**Sunrise Medical**

7477 East Dry Creek Pkwy  
Longmont, CO 80503

USA

303-218-4600  
800-333-4000

**Sunrise Medical Canada, Inc.**

237 Romina Drive, Unit 3  
Concord, Ontario L4K 4V3

CANADA

905-660-2459  
800-263-3390

**Sunrise Medical Ltd.**

Sunrise Business Park  
High Street  
Wollaston, West Midlands DY8 4PS

ENGLAND

44-138-444-6688